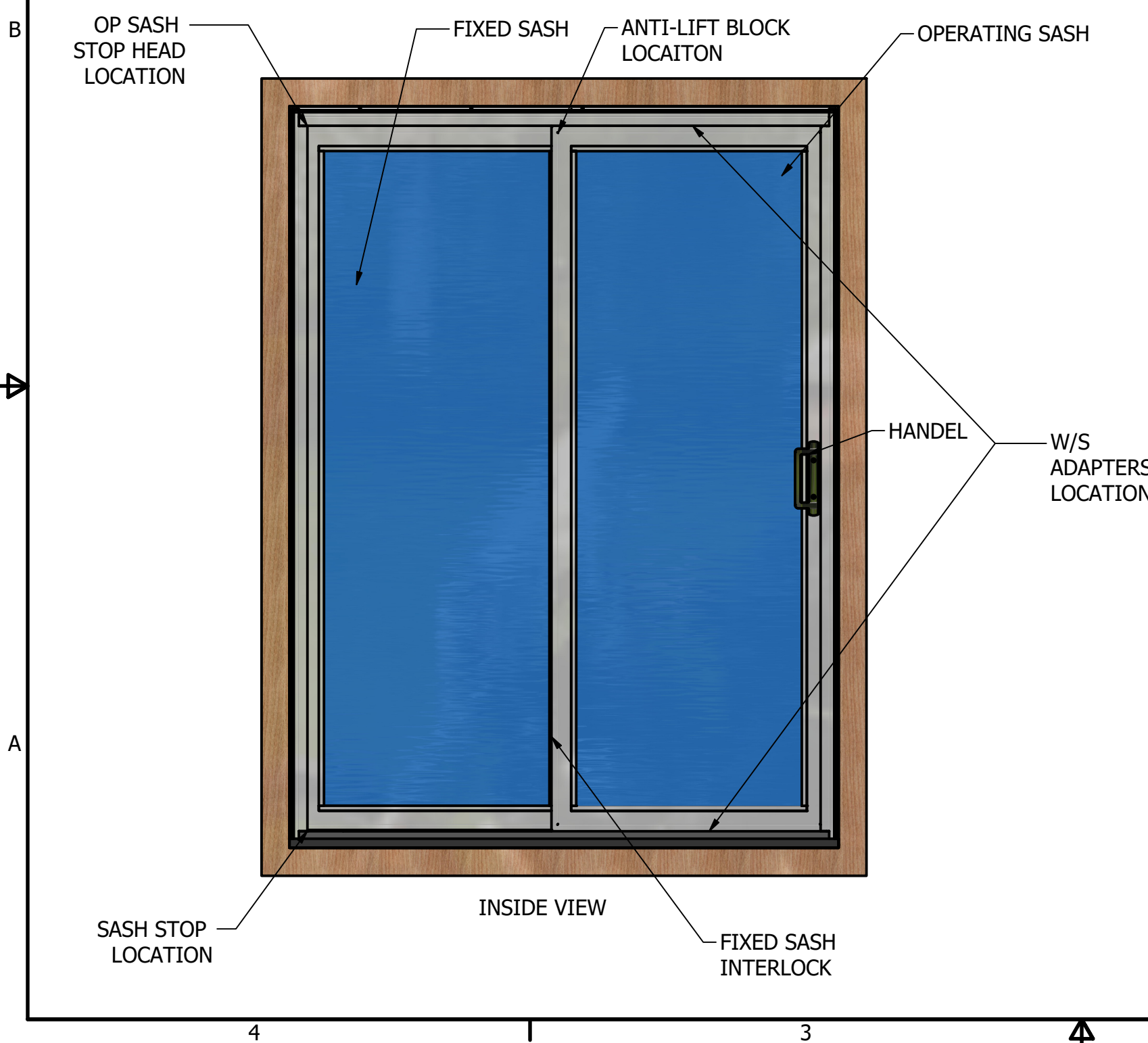


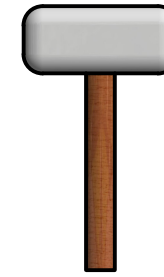
COMFORT STAR PATIO DOOR OPERATING SASH INSTALL



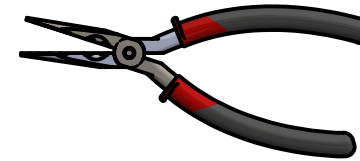
TOOLS:



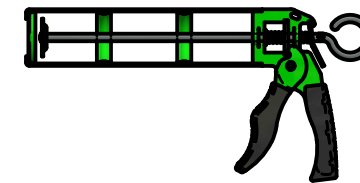
PRY BAR



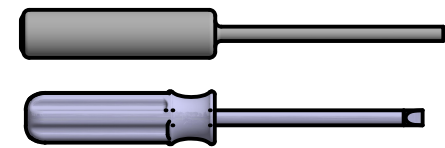
MALLET



NEEDLE NOSE PLIERS



SEALANT & SILICON GUN

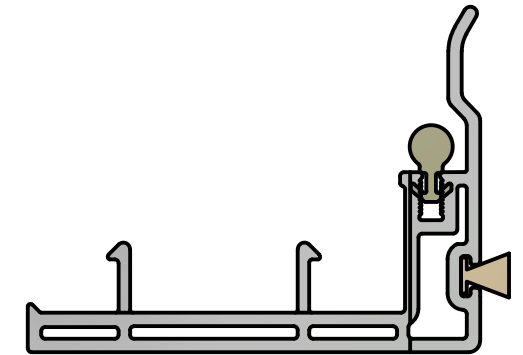


SCREW DRIVER SET
(PHILLIPS, SQUARE, FLAT)

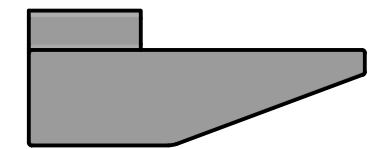
PARTS:



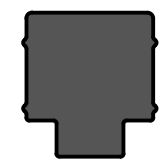
EXT. JAMB POCKET COVER
EXT. HEAD POCKET COVER
INT. JAMB POCKET COVER
INT. OP SASH STOP HEAD
(4 PIECES IN TOTAL)



OPERATING SASH INTERLOCK
FIXED SASH INTERLOCK
(2 PIECES)



ANTI-LIFT BLOCK



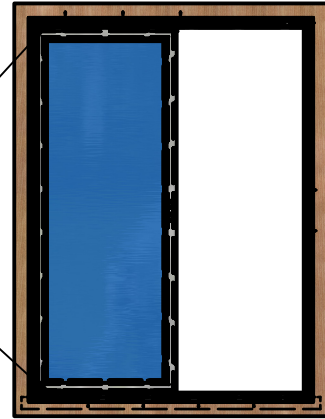
SASH STOP

HOW TO INSTALL OPERATING SASH

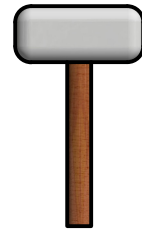
STEP 1: REMOVE AND STORE BOTH SASH STOPS (HEAD & SILL)



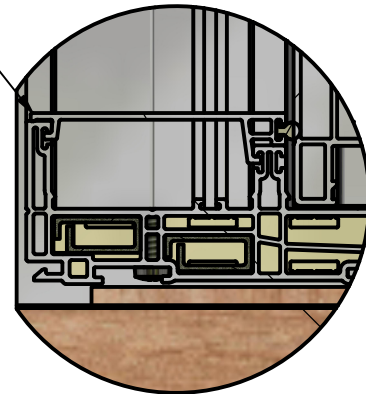
SASH STOPS



STEP 2: REMOVE INTERIOR POCKET COVER



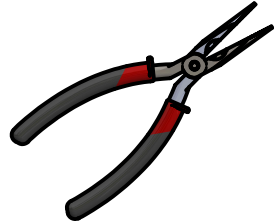
POCKET COVER



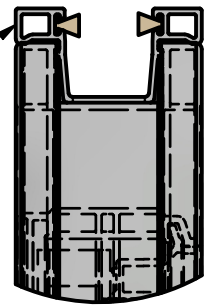
INSIDE

OUTSIDE

STEP 3: REMOVE W/S ADAPTER FROM OPERATING PANEL HEAD



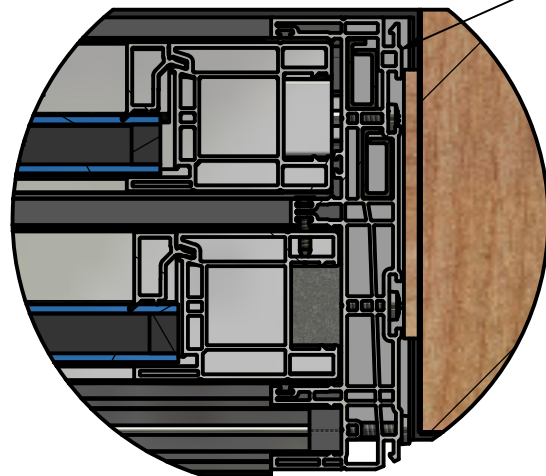
W/S ADAPTER



STEP 4: LIFT & SLIDE THE SASH INSIDE FIXED JAMB POCKET

INSIDE

FIXED JAMB



OUTSIDE

NOTE: BE AWARE OF THE SASH WEIGHT, IT MAY REQUIRE 2 PEOPLE ON BIGGER DOORS

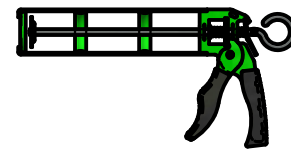
STEP 5: ALIGN & INSTALL ANTI-LIFT BLOCK WITH CENTER OF THE DOOR (END OF THE GRAY HEAD TRACK)



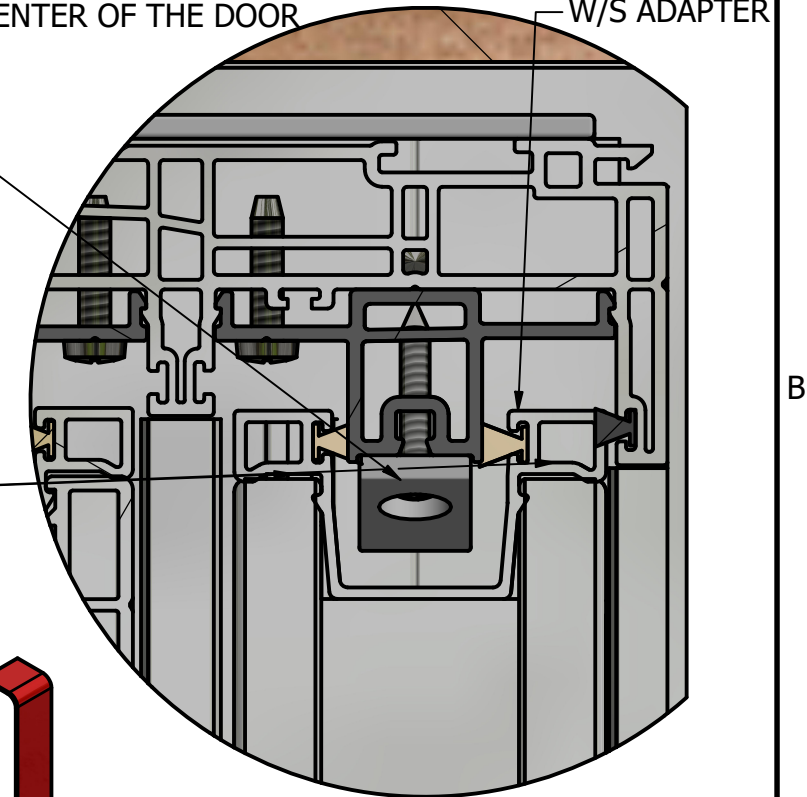
ANTI-LIFT BLOCK



STEP 6: SEAL THE END OF THE W/S ADAPTER AND SLID IT ON TOP OF SASH

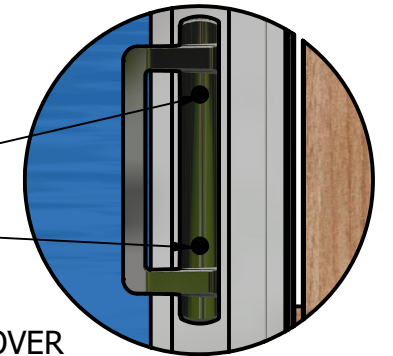


NOTE: WHEN RE-INSTALLING W/S ADAPTER USE A PRY-BAR ALONG EACH SIDE OF THE ADAPTER TO SECURE IN PLACE; CLEAN EXCESS SEALANT



W/S ADAPTER

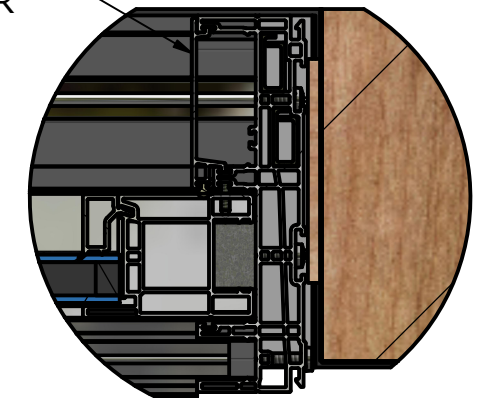
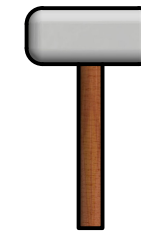
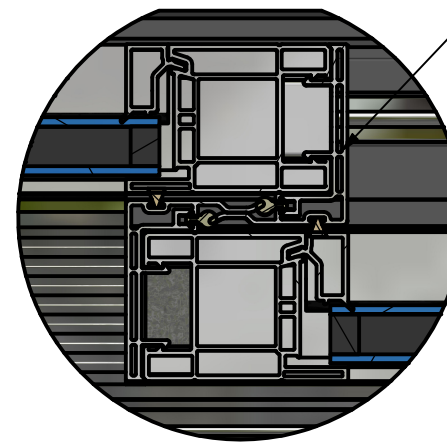
STEP 7: INSTALL OPERATING PANEL HANDLE



STEP 8: INSTALL OPERATING PANEL INTERLOCK & INTERIOR POCKET COVER

OP. PANEL INTERLOCK

POCKET COVER



STEP 9: RE-INSTALL SASH STOPS & OPERATE SASH (ADJUST ROLLERS IF NEEDED)