

Dec-09/2022

4

3

2

1

NORTH STAR WINDOWS AND DOORS

INSTALLATION OF KD DOOR  
4-PANEL

4

3

2

1

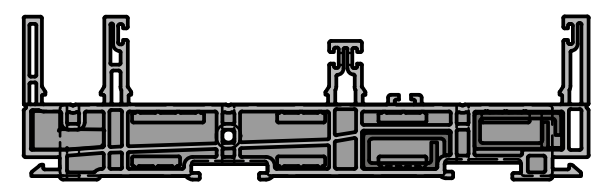
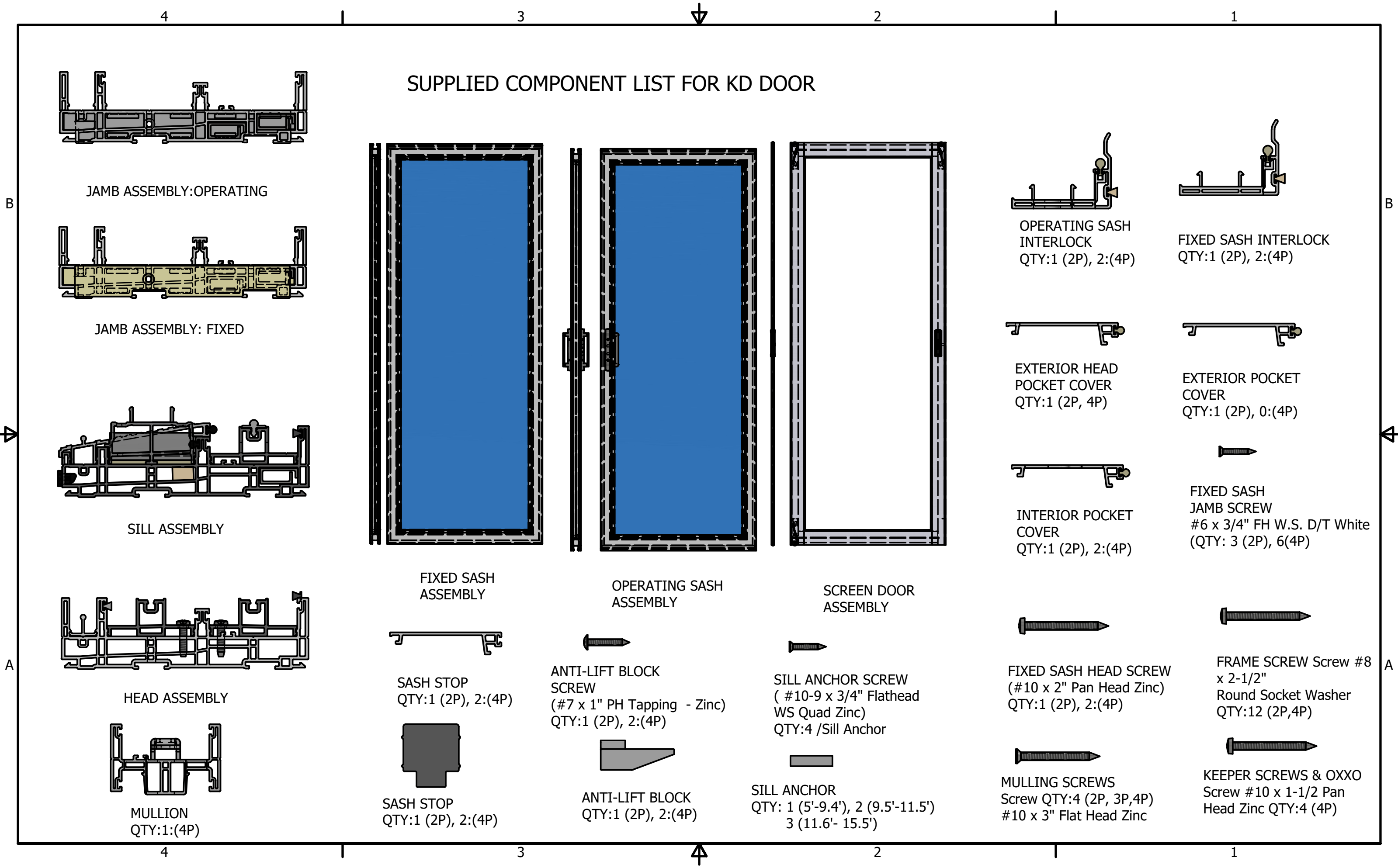
B

B

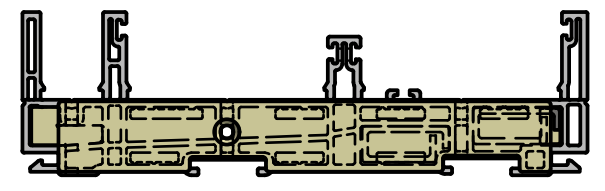
A

A

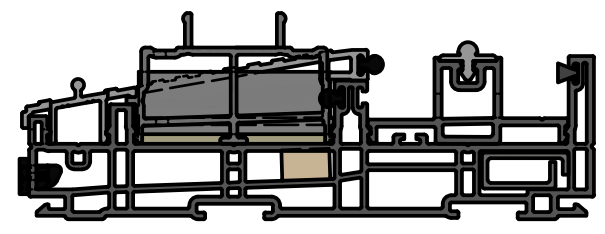
# SUPPLIED COMPONENT LIST FOR KD DOOR



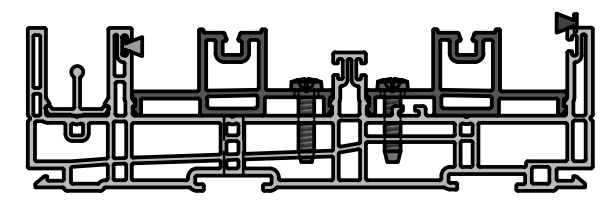
JAMB ASSEMBLY: OPERATING



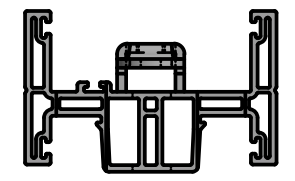
JAMB ASSEMBLY: FIXED



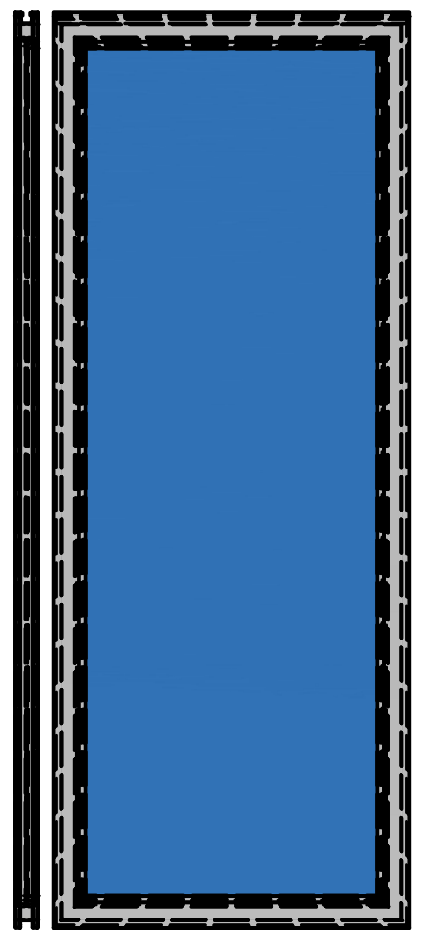
SILL ASSEMBLY



HEAD ASSEMBLY



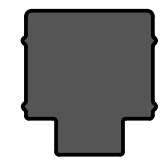
MULLION  
QTY:1:(4P)



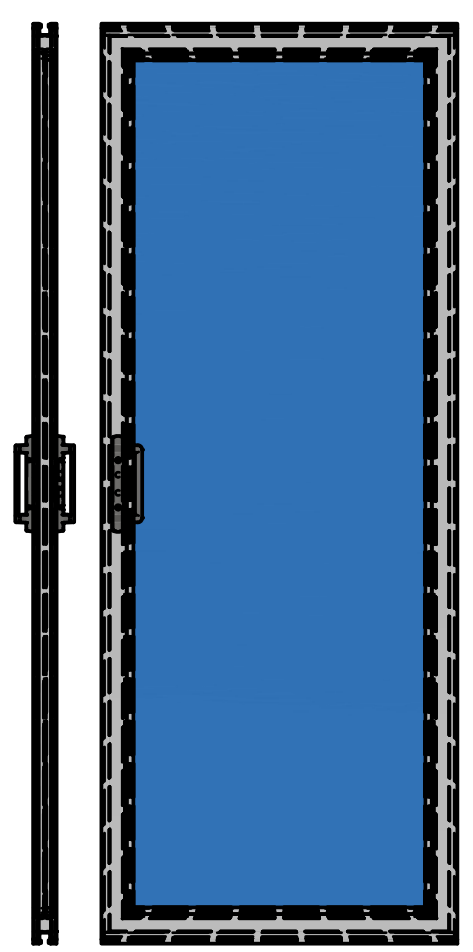
FIXED SASH ASSEMBLY



SASH STOP  
QTY:1 (2P), 2:(4P)



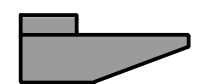
SASH STOP  
QTY:1 (2P), 2:(4P)



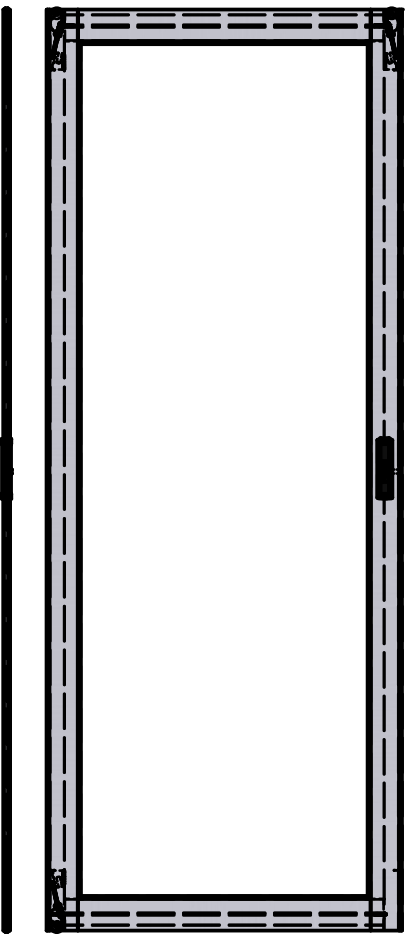
OPERATING SASH ASSEMBLY



ANTI-LIFT BLOCK SCREW  
(#7 x 1" PH Tapping - Zinc)  
QTY:1 (2P), 2:(4P)



ANTI-LIFT BLOCK  
QTY:1 (2P), 2:(4P)



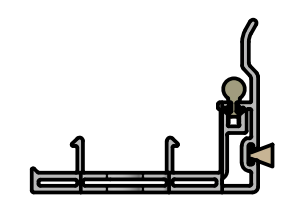
SCREEN DOOR ASSEMBLY



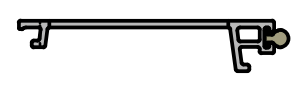
SILL ANCHOR SCREW  
( #10-9 x 3/4" Flathead WS Quad Zinc)  
QTY:4 /Sill Anchor



SILL ANCHOR  
QTY: 1 (5'-9.4'), 2 (9.5'-11.5')  
3 (11.6'- 15.5')



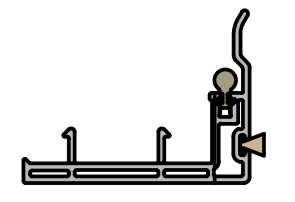
OPERATING SASH INTERLOCK  
QTY:1 (2P), 2:(4P)



EXTERIOR HEAD POCKET COVER  
QTY:1 (2P, 4P)



INTERIOR POCKET COVER  
QTY:1 (2P), 2:(4P)



FIXED SASH INTERLOCK  
QTY:1 (2P), 2:(4P)



EXTERIOR POCKET COVER  
QTY:1 (2P), 0:(4P)



FIXED SASH JAMB SCREW  
#6 x 3/4" FH W.S. D/T White  
(QTY: 3 (2P), 6(4P))



FIXED SASH HEAD SCREW  
(#10 x 2" Pan Head Zinc)  
QTY:1 (2P), 2:(4P)



MULLING SCREWS  
Screw QTY:4 (2P, 3P,4P)  
#10 x 3" Flat Head Zinc



FRAME SCREW Screw #8 x 2-1/2" Round Socket Washer  
QTY:12 (2P,4P)



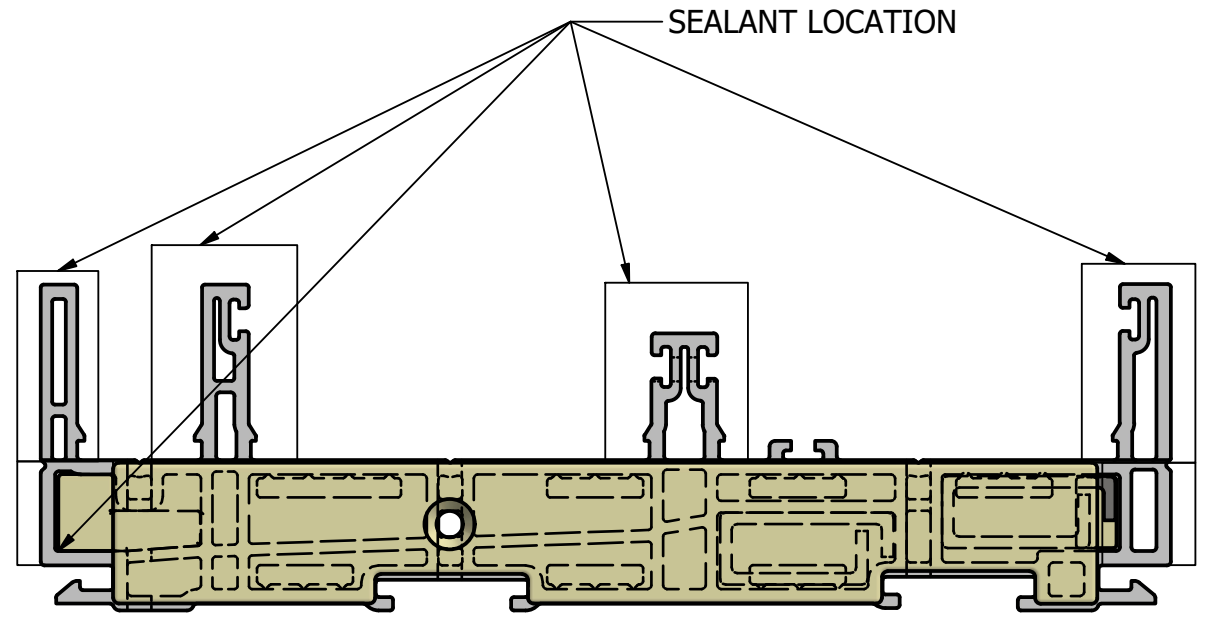
KEEPER SCREWS & OXO  
Screw #10 x 1-1/2 Pan Head Zinc QTY:4 (4P)

4 | | 3 | | 2 | | 1

TOOL REQUIRED:  
SEALANT

B

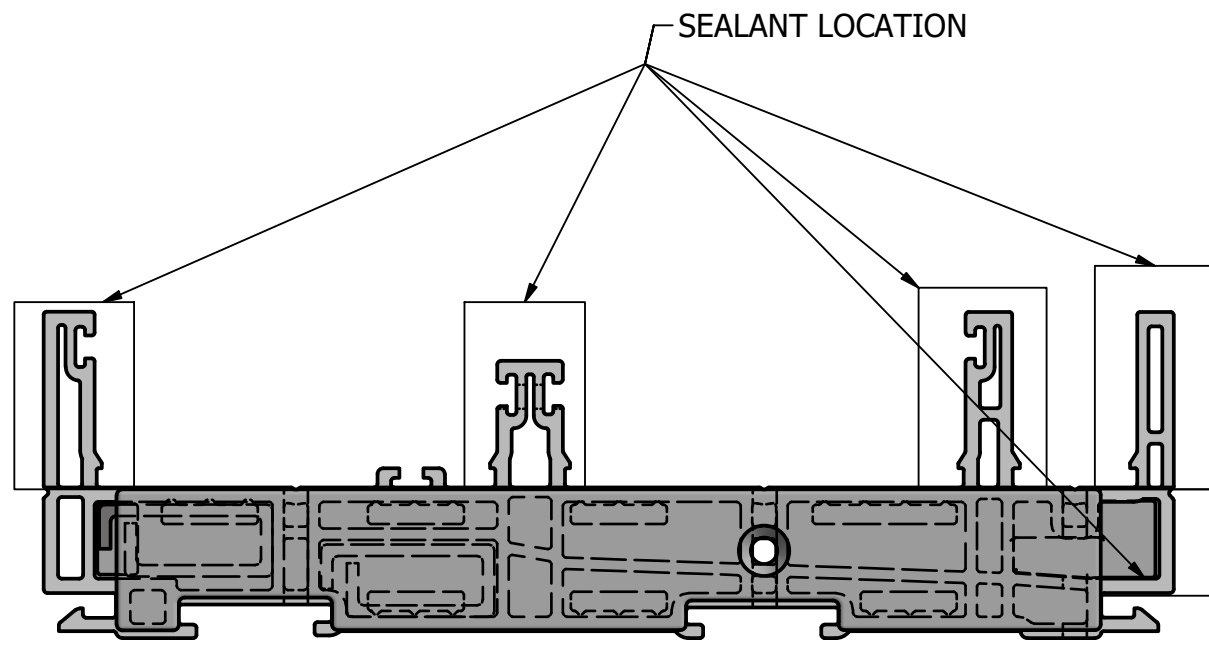
B



1.) APPLY QUALITY SEALANT ON BOTH SIDES OF THE OPERATING JAMB ASSEMBLY AND THE FIXED JAMB ASSEMBLY.

A

A

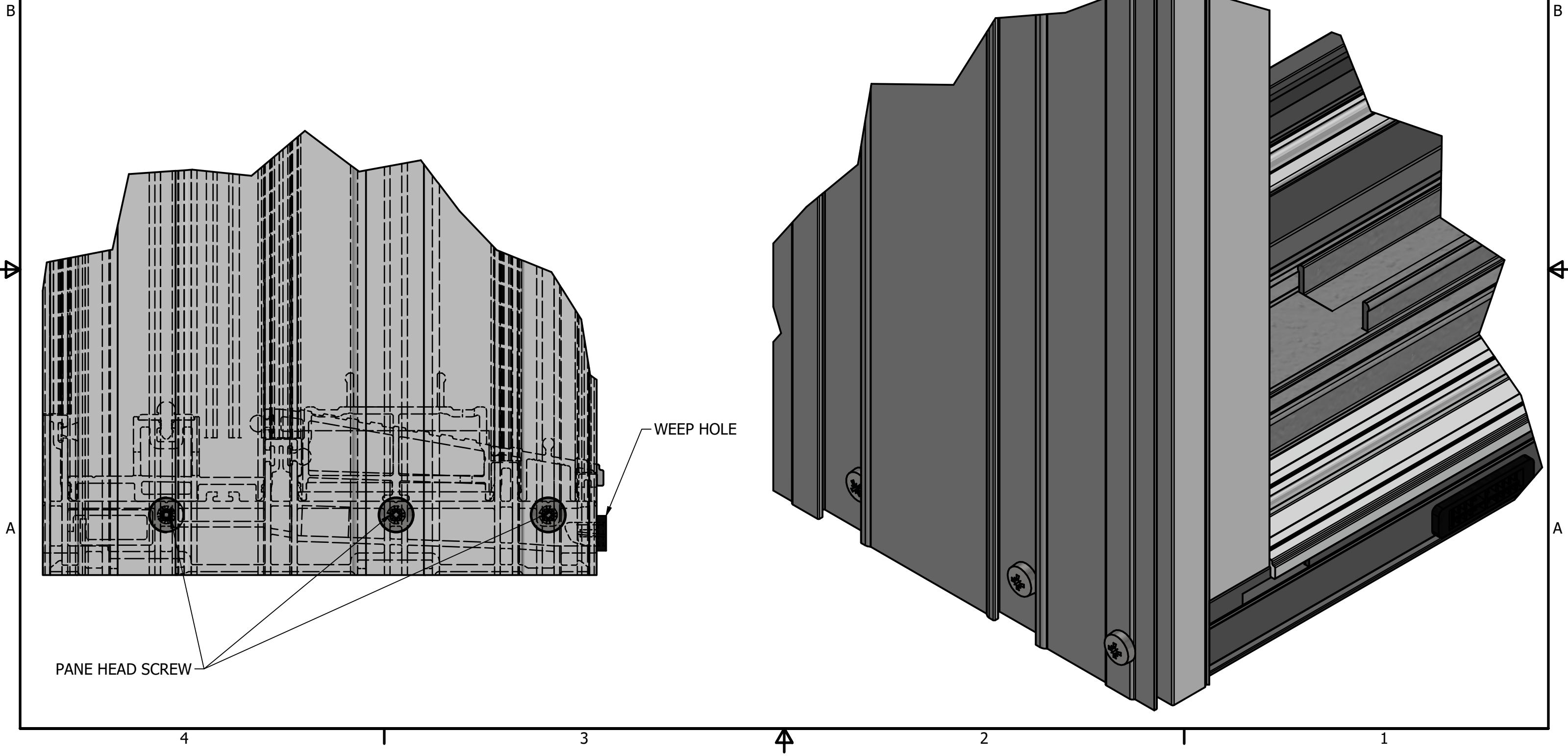


4 | | 3 | | 2 | | 1

TOOL REQUIRED:  
POWER DRILL, FRAME  
SCREWS

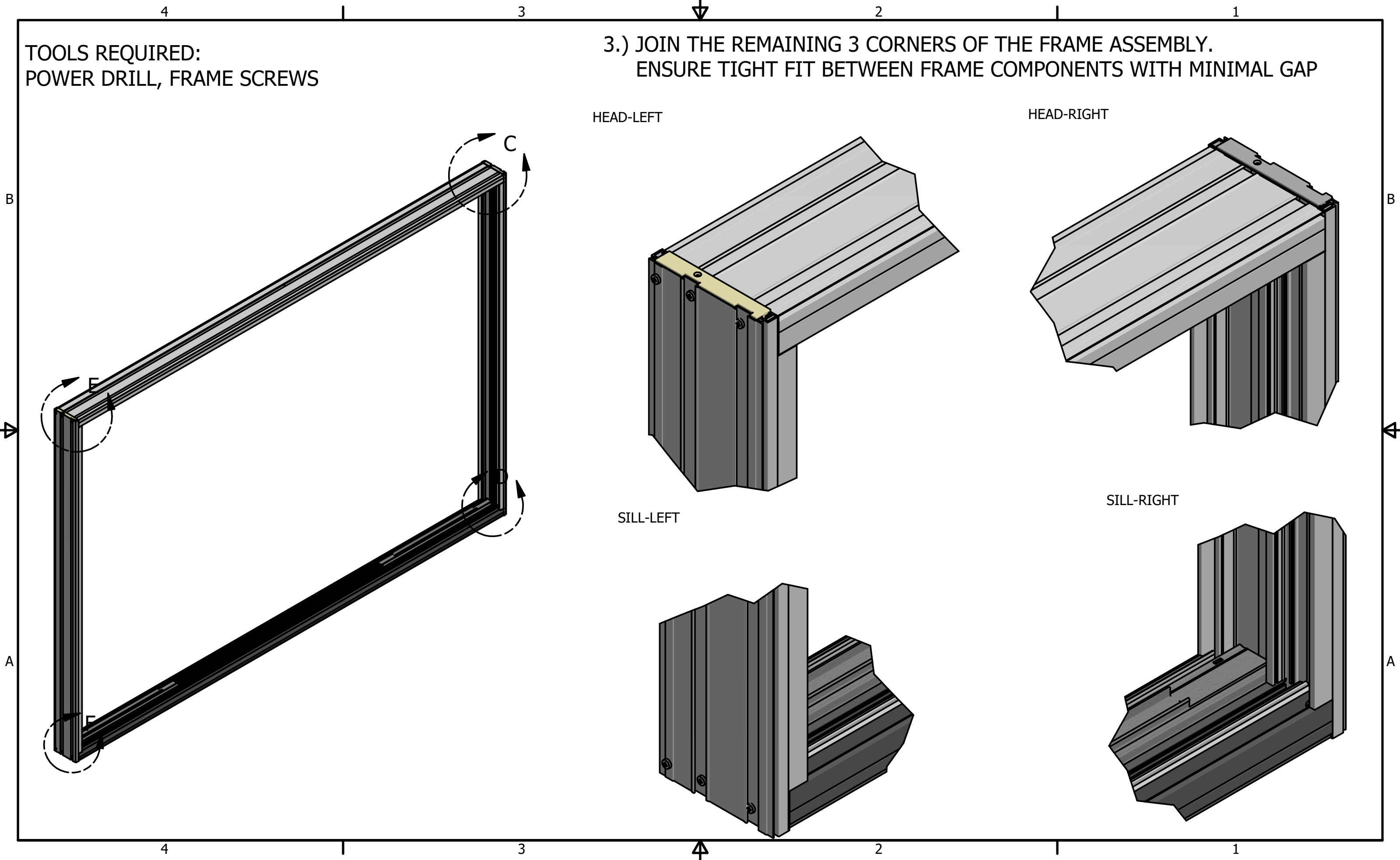
2.) JOIN THE SILL ASSEMBLY USING 3 PAN HEAD SCREWS CAREFULLY TO NOT BOW THE EXTERIOR  
GROOVE CHANNEL.

NOTE 1: WHEN MULLING A SIDE-LITE OR ADDING AN EXTERIOR ACCESSORY  
(NAIL-FIN/ BRICKMOLD) CHANGE THE SCREW TO MULLING SCREW #10 x 3" Flat Head Zinc



TOOLS REQUIRED:  
POWER DRILL, FRAME SCREWS

3.) JOIN THE REMAINING 3 CORNERS OF THE FRAME ASSEMBLY.  
ENSURE TIGHT FIT BETWEEN FRAME COMPONENTS WITH MINIMAL GAP



4 | 3 | 2 | 1

NORTH STAR HAS TWO APPROVED METHODS TO ANCHOR THE FRAME INTO THE ROUGH OPENING

**METHOD 1: ANCHORING THROUGH THE FRAME JAMBS AND HEAD; OR  
METHOD 2: ANCHORING USING INSTALLATION CLIPS AT THE JAMB AND HEAD**

IMPORTANT NOTES:

NORTH STAR WINDOW AND PATIO DOOR PRODUCT MUST BE SECURED THROUGH THE FRAME OF THE UNIT YOU ORDERED OR USING THE EXTERIOR MOUNTED STEEL CLIPS.

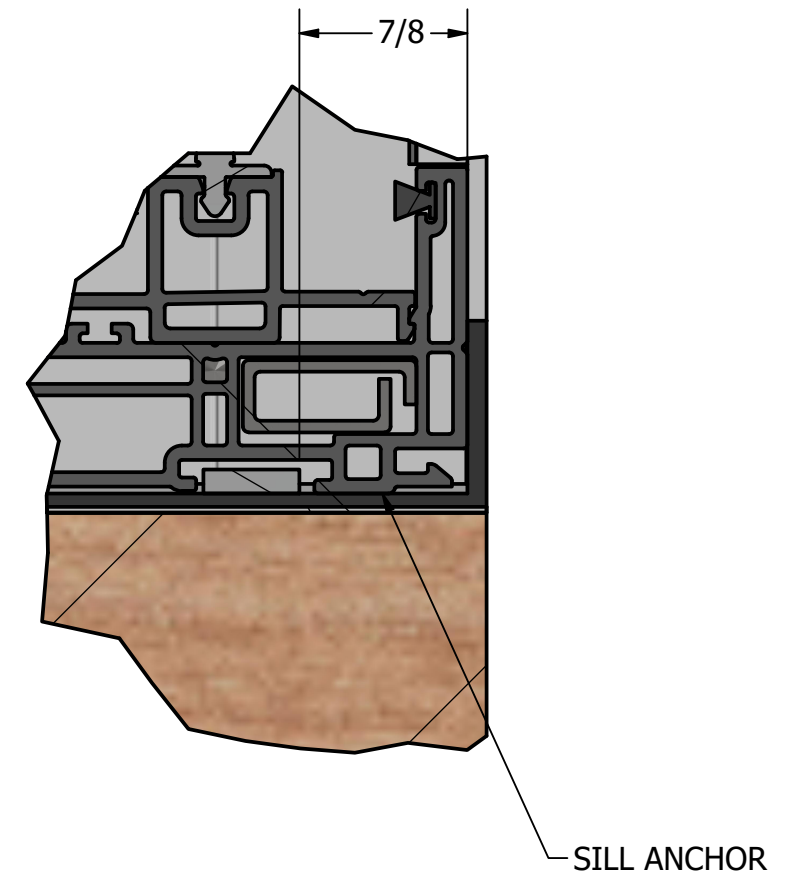
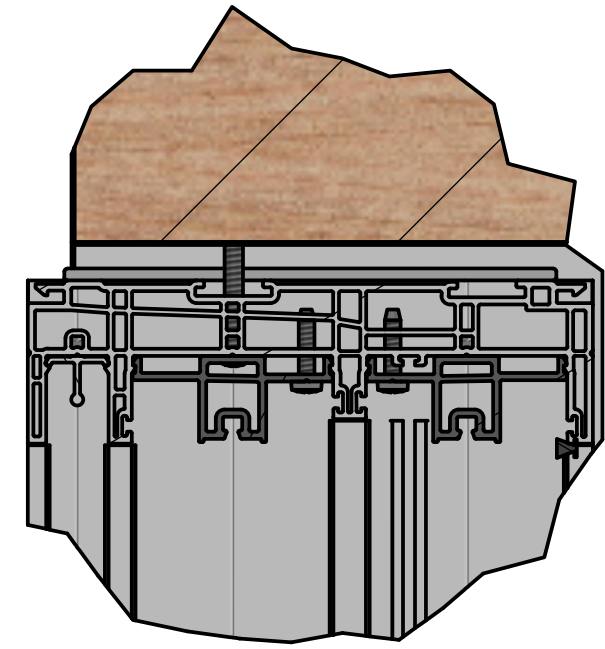
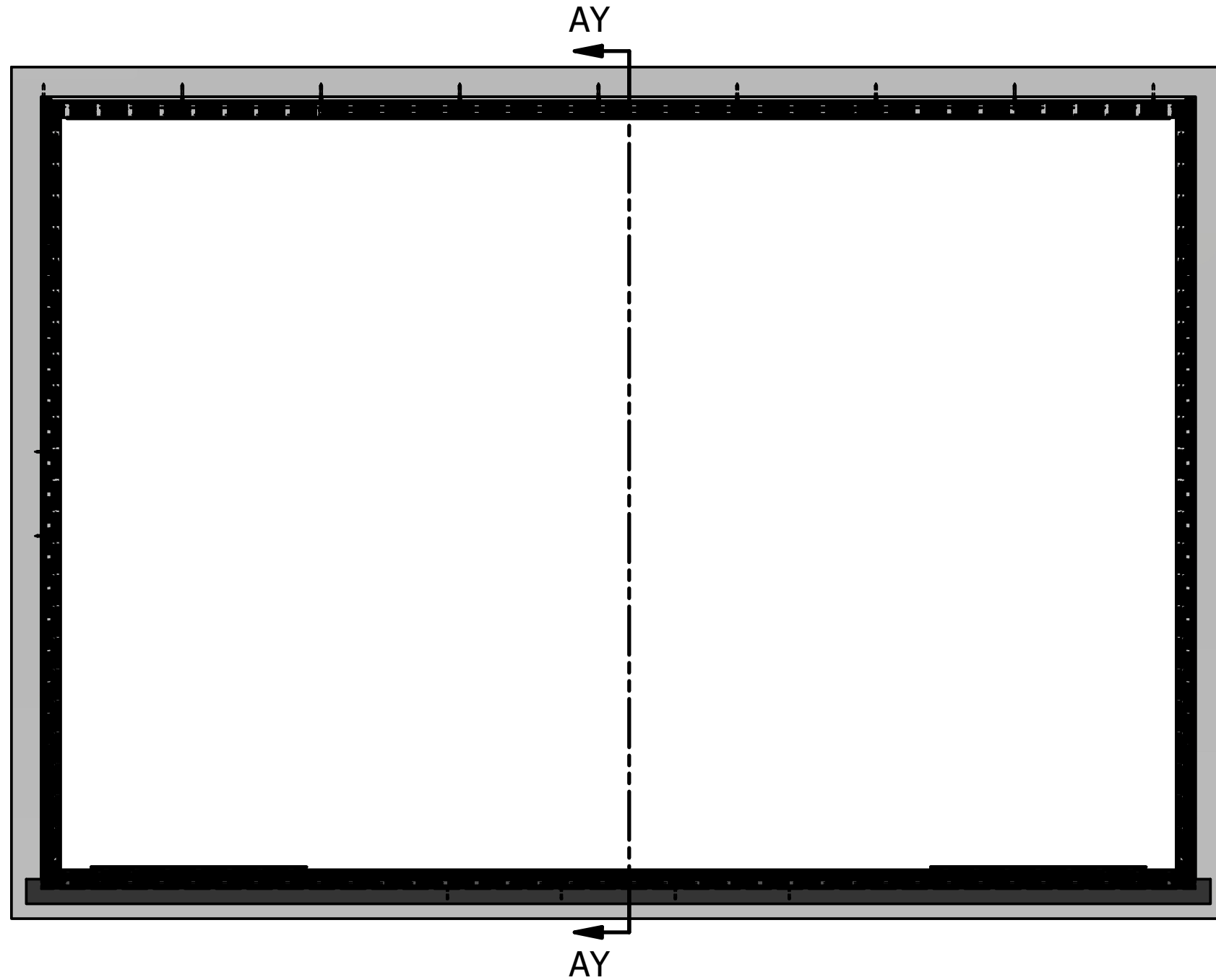
INSTALLATION THROUGH THE NAIL FIN ONLY IS NOT A FULL INSTALLATION. FAILURE TO PROPERLY INSTALL CAN RESULT IN WATER DAMAGE AND SEVER MOVEMENT OF THE UNIT OVER TIME AND WILL VOID WARRANTY.

DO NOT ANCHOR DOOR THROUGH THE JAMB EXTENSION

A

METHOD 1: ANCHORING THROUGH THE FRAME

TOOLS REQUIRED:  
TAPE MEASURE, SEALANT, POWER DRILL, SCREWS



- 4.)  
A.) CENTER FRAME IN OPENING SO THERE IS EQUAL SPACE BETWEEN THE FRAME AND THE ROUGH OPENING.  
NOTE: ENSURE SILL ANCHOR IS SITTING IN THE PROPER CHANNEL  
B.) ANCHOR THE DOOR AT THE HEAD IN THE FIXED PANEL POCKET IN THE CENTER AND 6" AWAY FROM EACH CORNER USING APPROPRIATE SCREWS

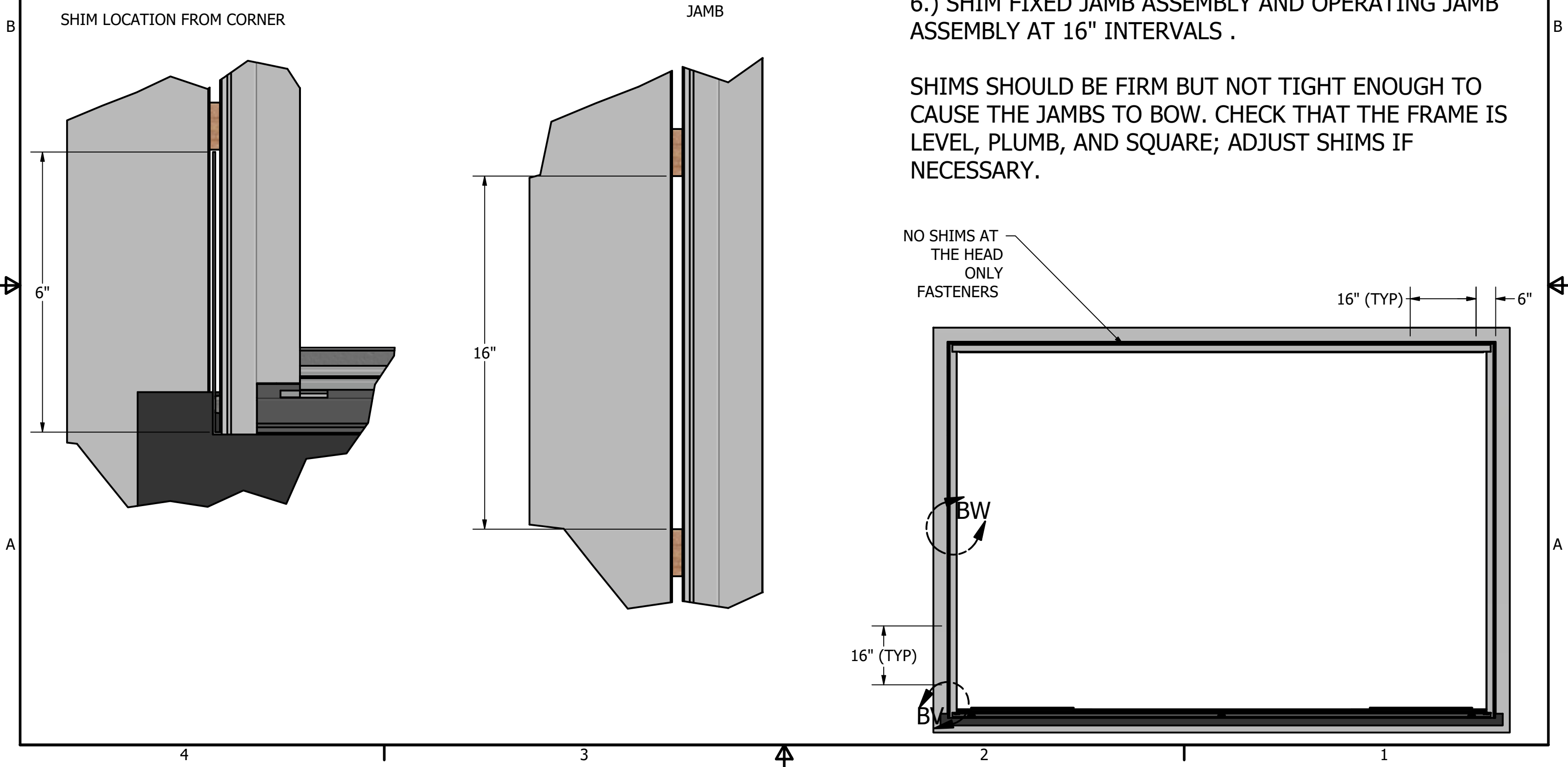
TOOLS REQUIRED:  
SHIMS, TAPE MEASURE, SEALANT, POWER  
DRILL, SCREWS

## METHOD 1: ANCHORING THROUGH THE FRAME

5.) SHIM SIDE JAMB FRAME MEMBERS 6" FROM TOP AND  
BOTTOM.

6.) SHIM FIXED JAMB ASSEMBLY AND OPERATING JAMB  
ASSEMBLY AT 16" INTERVALS .

SHIMS SHOULD BE FIRM BUT NOT TIGHT ENOUGH TO  
CAUSE THE JAMBS TO BOW. CHECK THAT THE FRAME IS  
LEVEL, PLUMB, AND SQUARE; ADJUST SHIMS IF  
NECESSARY.



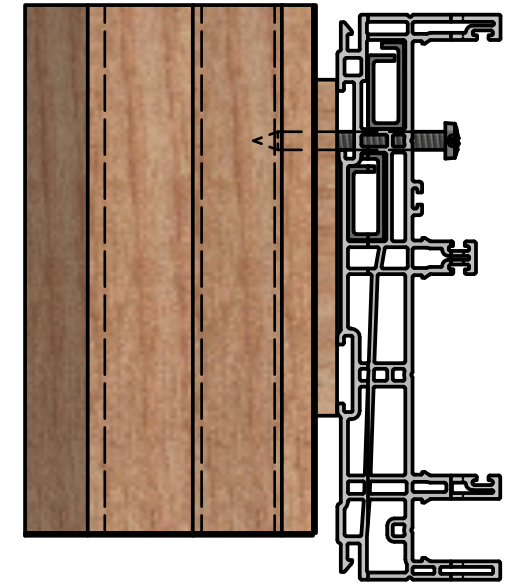
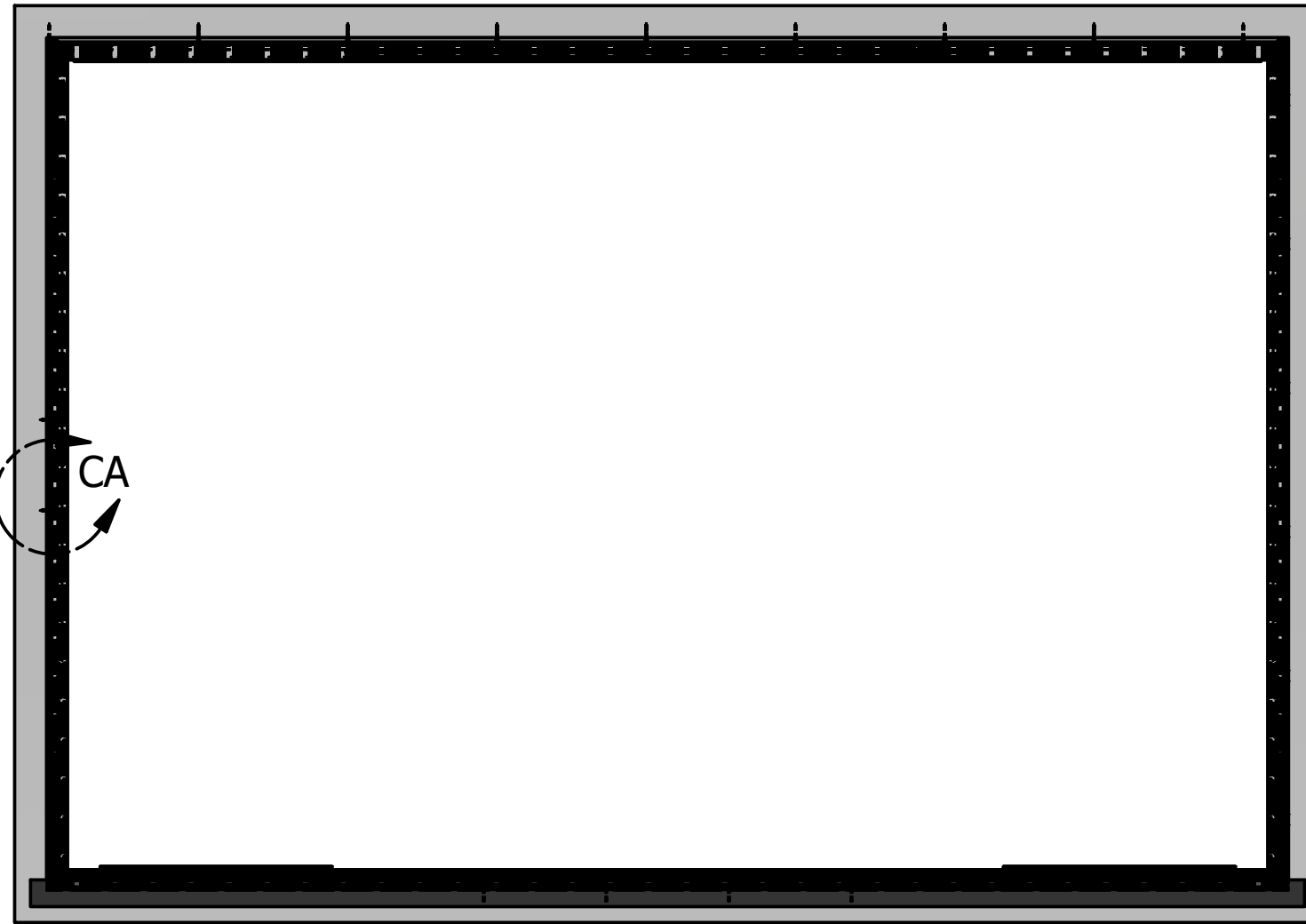


TOOLS REQUIRED:  
SHIMS, SEALANT,  
POWER DRILL,  
SCREWS, LEVEL

### METHOD 1: ANCHORING THROUGH THE FRAME

NOTE: REMOVE POCKET COVERS AS NEEDED

7.) INSTALL SCREWS THROUGH THE FRAME WHERE POCKET COVERS WILL BE INSTALLED AT EACH SHIM LOCATION, BEING CAREFUL NOT TO BOW FRAME. USE #8 X 2-1/2" SCREWS. SCREW LENGTH IS DEPENDENT UPON FRAME STRUCTURE; SCREW LENGTH MUST BE OF SUFFICIENT LENGTH TO SECURE UNIT IN OPENING (MINIMUM OF 1" PENETRATION THROUGH THE JAMB IS REQUIRED)



8.) INSTALL SCREWS THROUGH THE HEAD JAMB INTO THROUGH OPENING AT 16" INTERVALS  
9.) SEAL SCREW HEADS WITH SILICONE.

TOOL REQUIRED:  
SEALANT

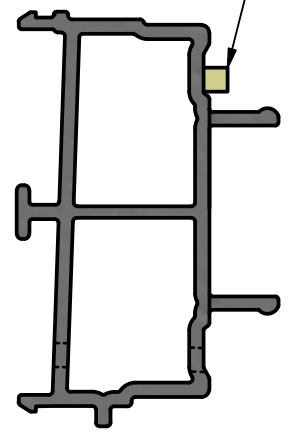
10.) APPLY SEALANT TO BOTH SUPPORT BLOCK AS SHOWN IN THE DIAGRAM,  
DO NOT BLOCK DRAIN HOLES.

SILL ASSEMBLY

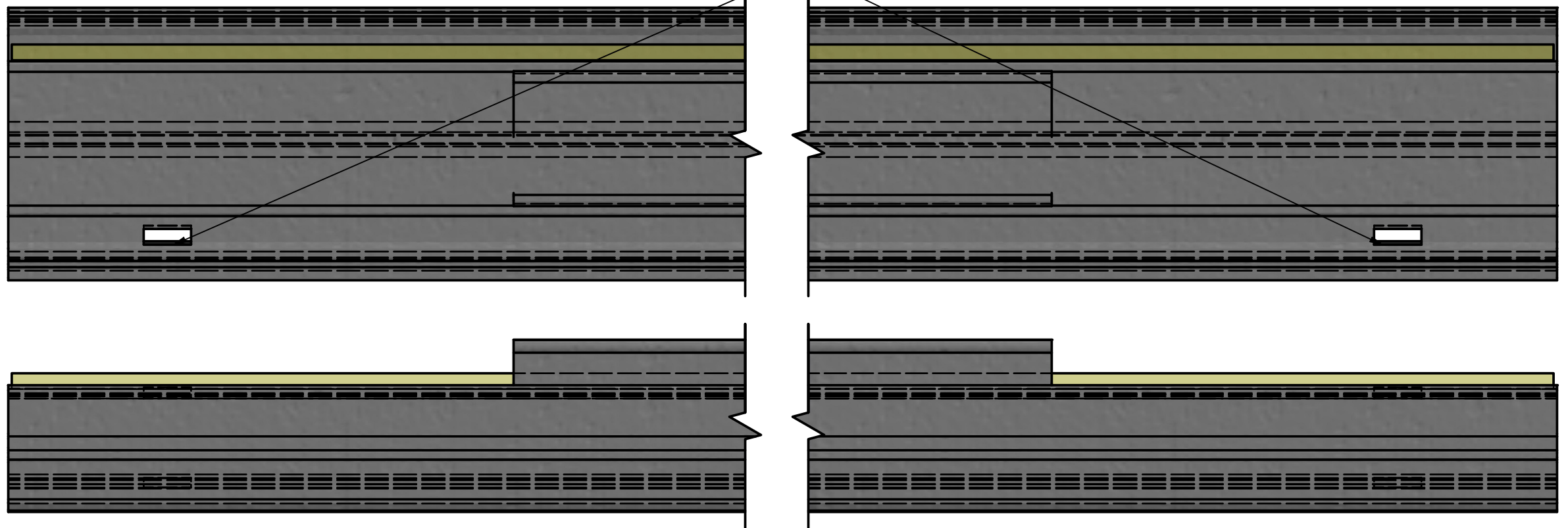


INTERIOR

SEALANT



DRAIN HOLES



EXTERIOR

4

3

2

1

4

3

2

1

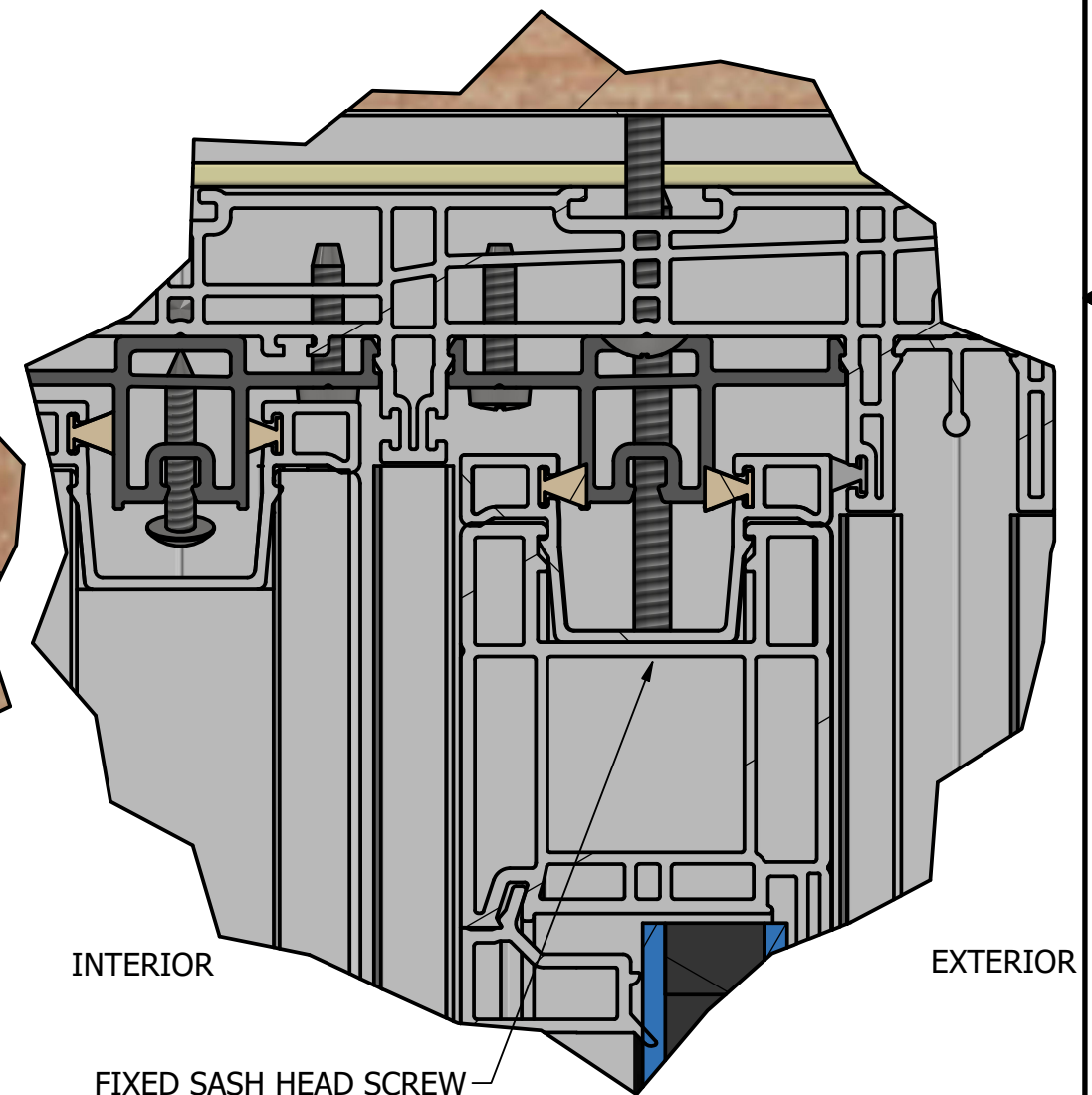
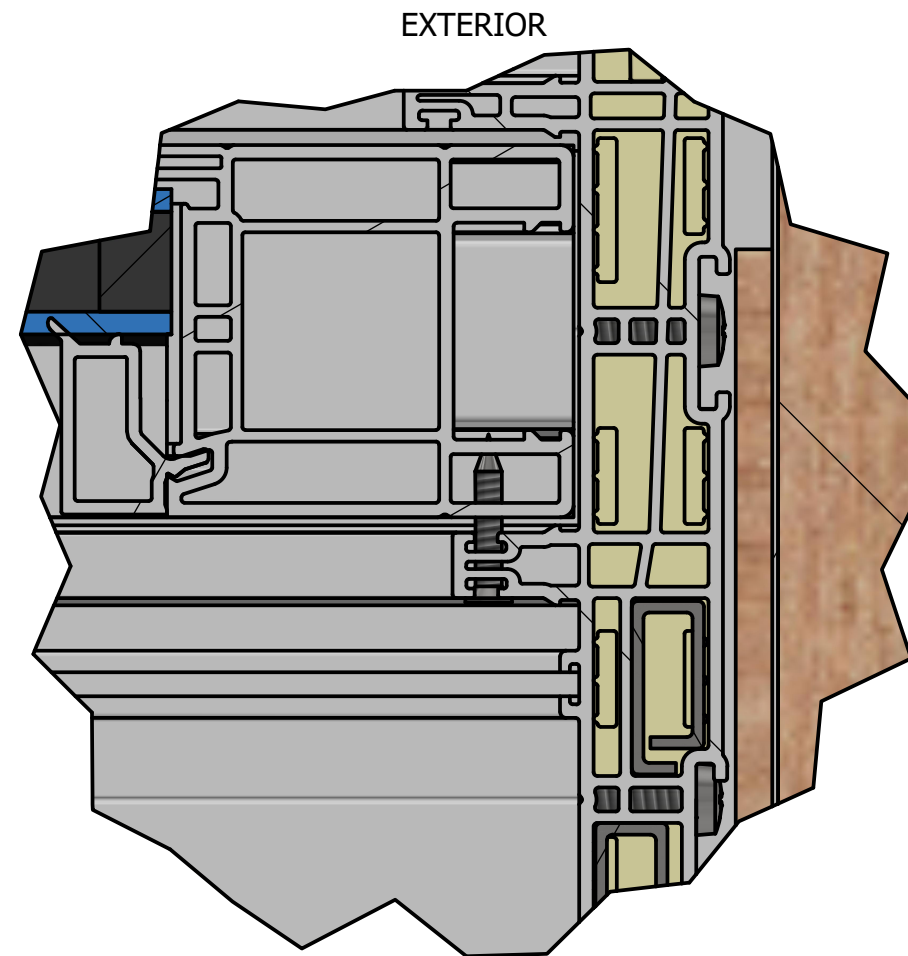
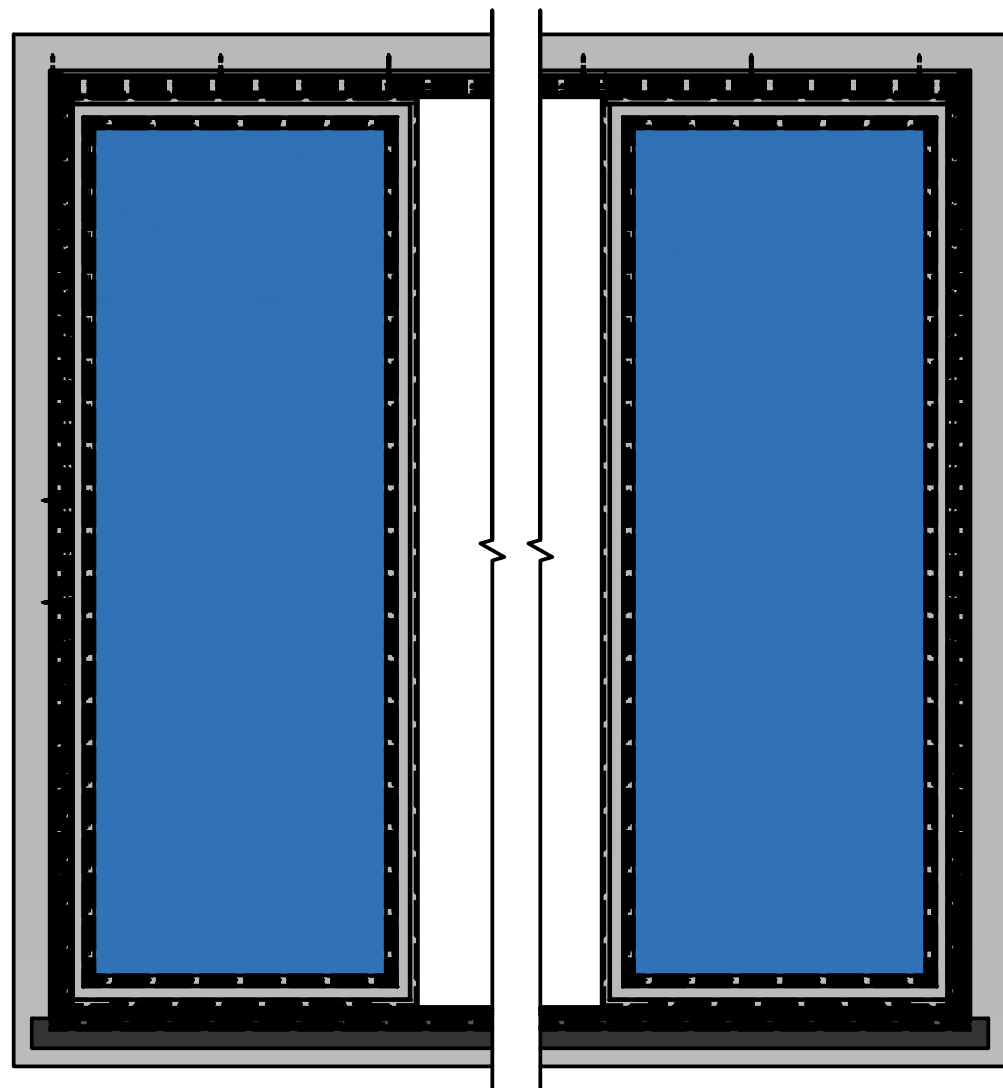
TOOL REQUIRED:  
POWER DRILL, SASH  
SCREWS

11.) SLIDE THE FIXED SASH OVER THE SLOPPED SILL COVER AND OVER THE SUPPORT BLOCK INTO THE FIXED JAMB ASSEMBLY POCKET

12.) ANCHOR THE SASH TO THE FIXED JAMB ASSEMBLY USING #6 x 3/4" FH SCREWS PROVIDED THROUGH THE OPERATING CHANNEL ON THE FIXED JAMB ASSEMBLY

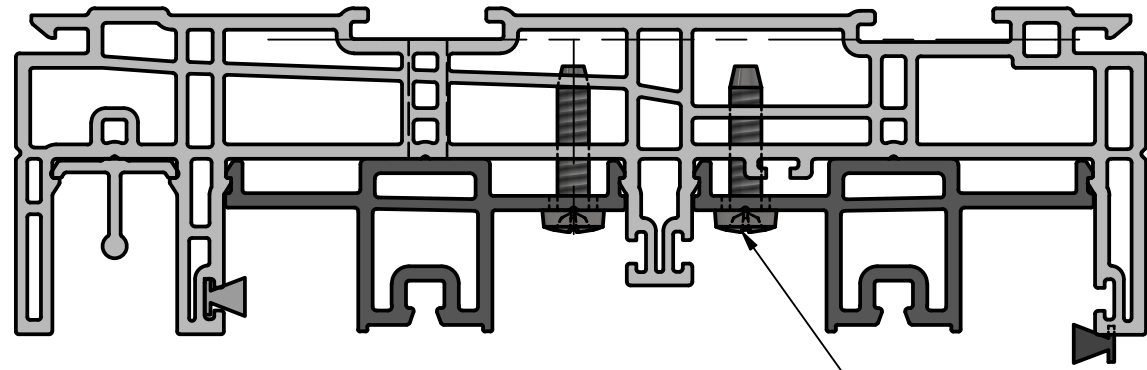
13.) ANCHOR THE HEAD THROUGH THE W/S ADAPTER USING SCREW PROVIDED

-REPEAT STEP 11-13 FOR THE OTHER FIXED SASH



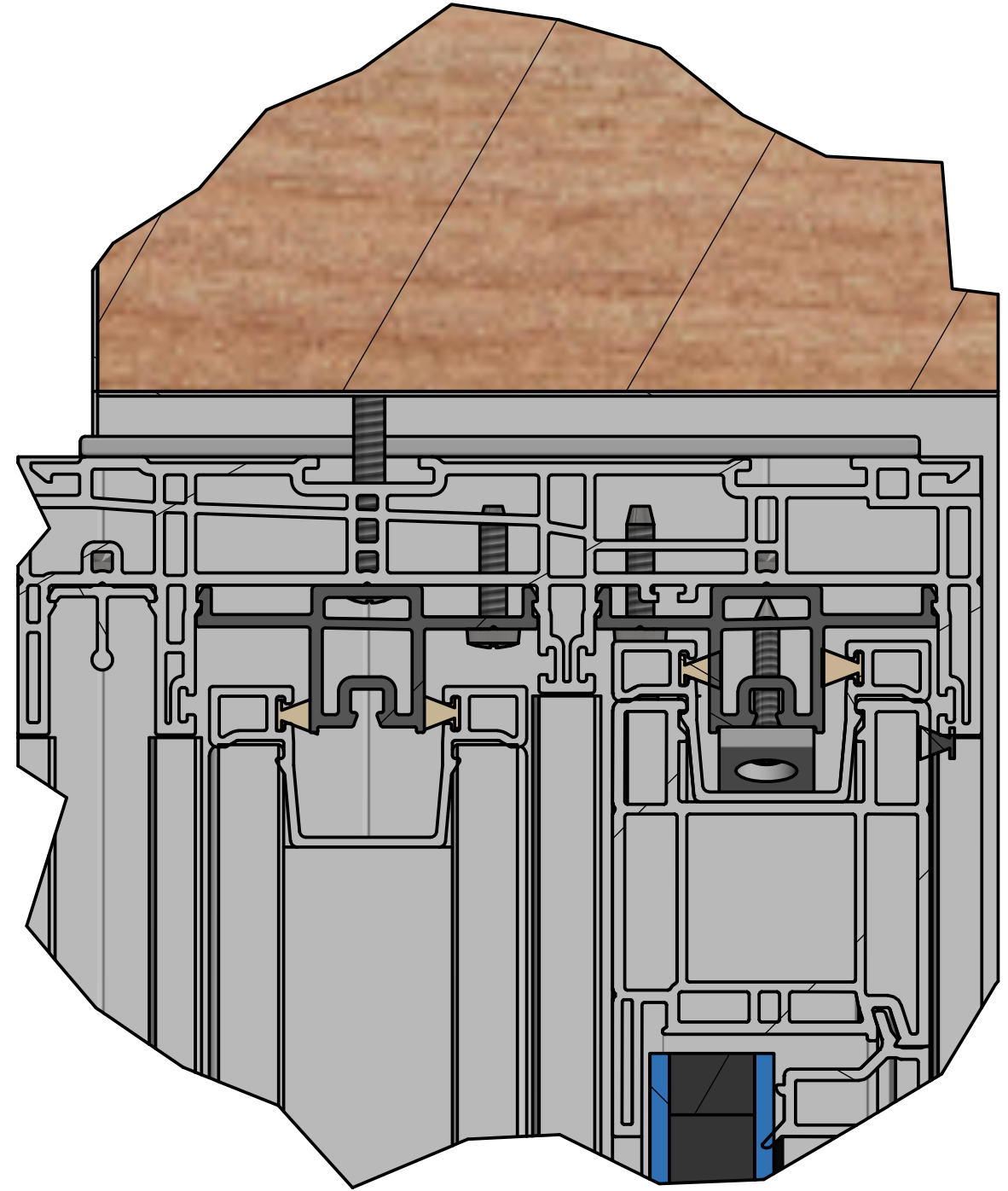
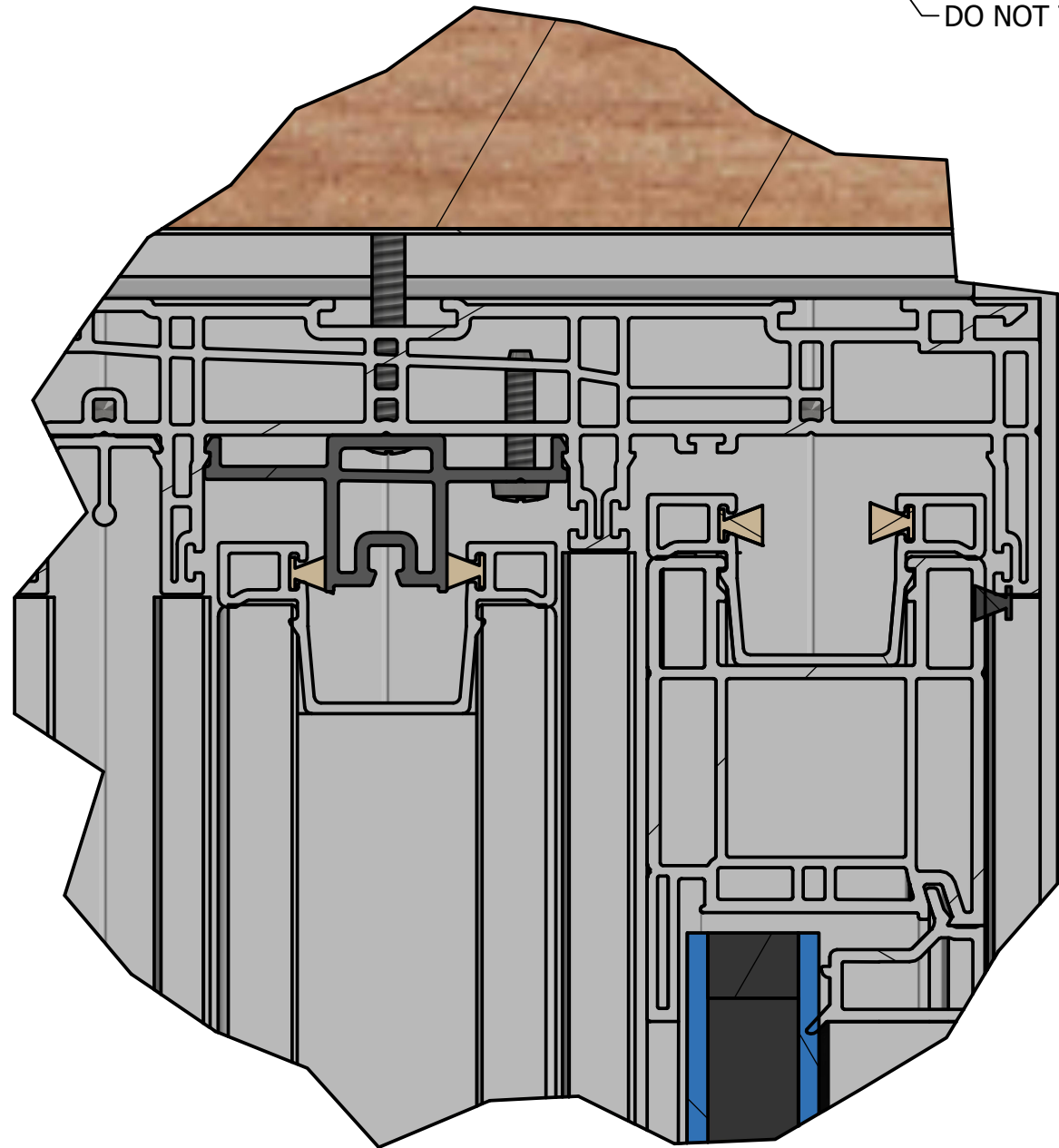
TOOL REQUIRED:  
PRY BAR, POWER DRILL, 1/2"X 16" WOOD BLOCK, MALLET

HEAD  
ASSEMBLY

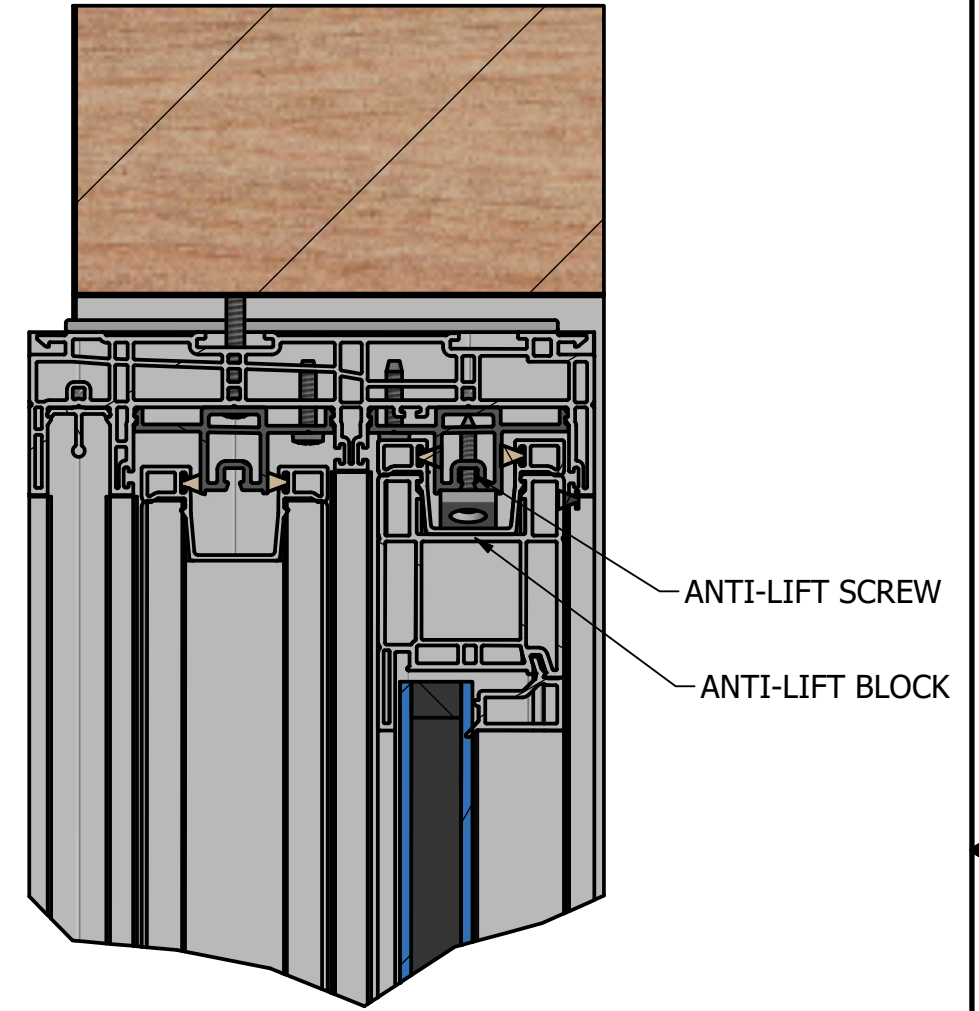
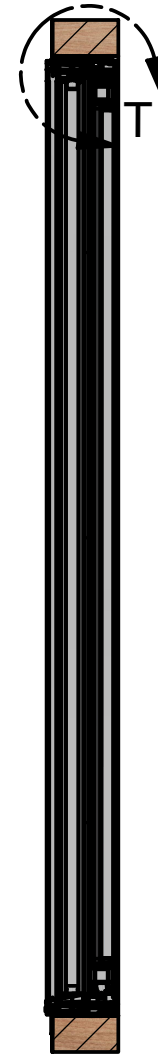
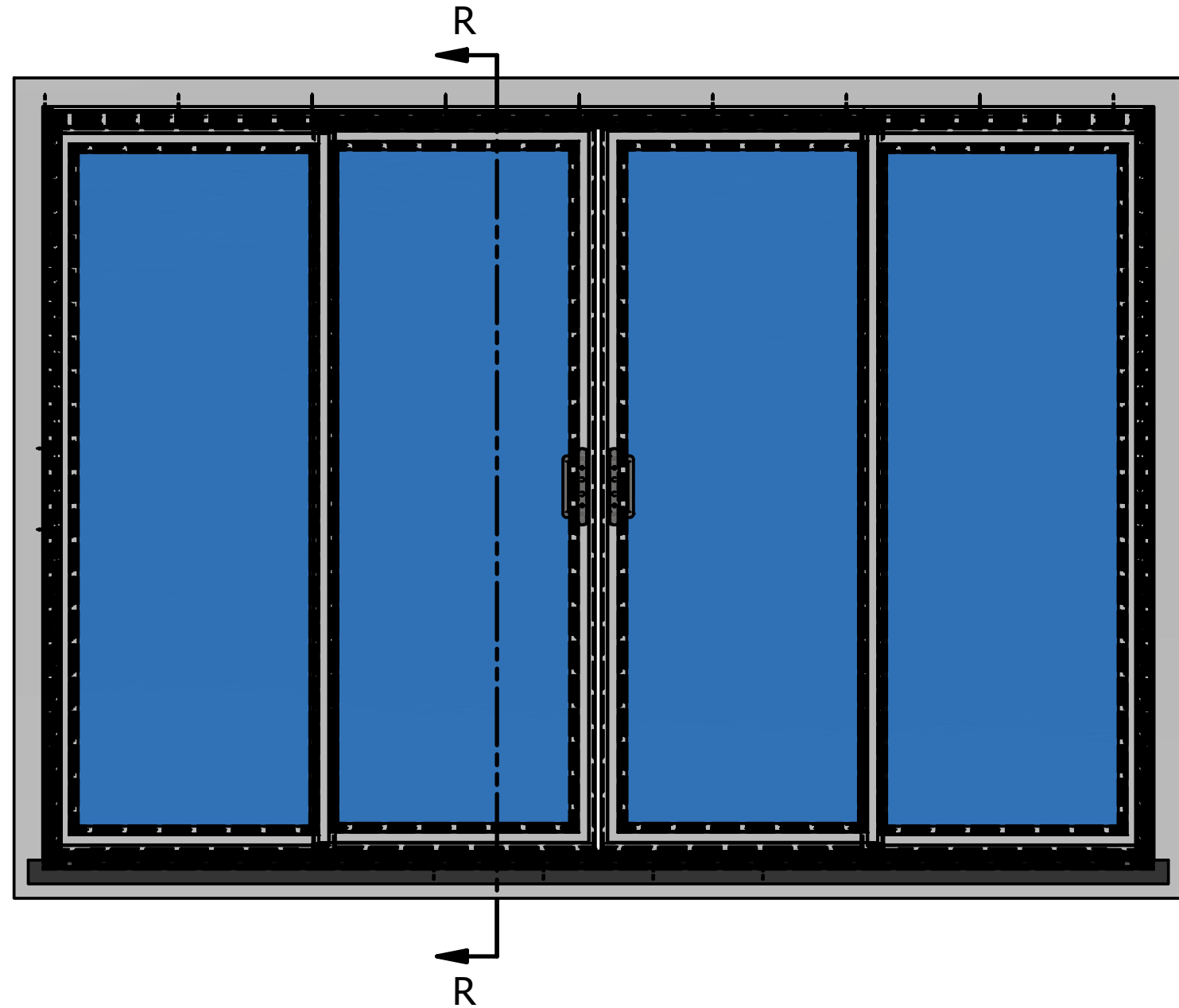


DO NOT THROW

- 14.) REMOVE THE TRACK IN THE OPERATING CHANNEL (DO NOT DISCARD THE SCREWS)
- 15.) SLIDE THE OPERATING PANEL FROM THE INTERIOR INTO THE FRAME CHANNEL. ENSURE ROLLERS ARE CONTACTING SILL TRACK
- 16.) RE-INSERT THE HEAD TRACK INTO THE HEAD CHANNEL AND SCREW IT IN. SLIDE THE SASH AS REQUIRED TO FASTEN THE SCREWS BACK



TOOLS REQUIRED:  
POWER DRILL, ANTI-LIFT BLOCK SCREW

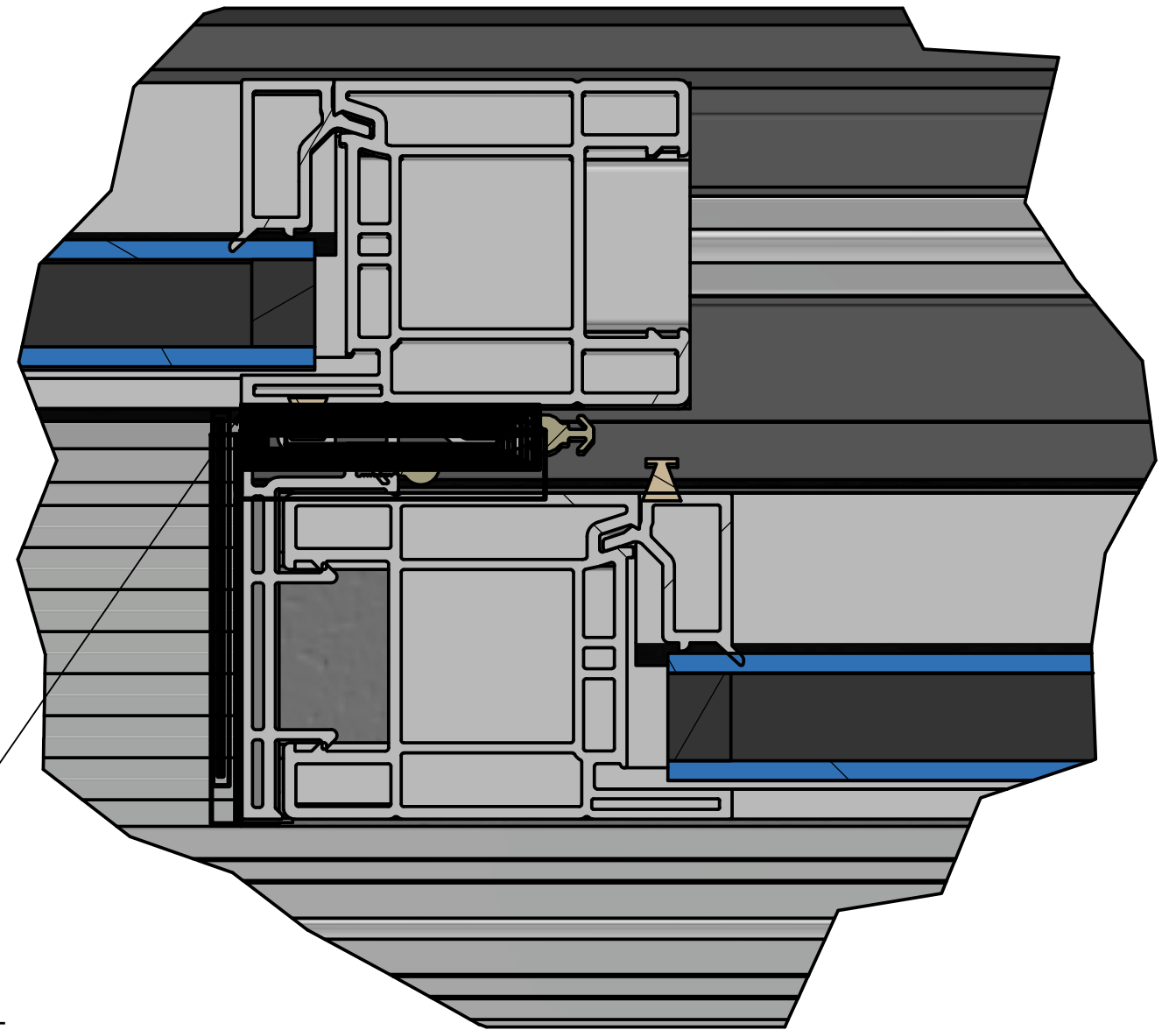
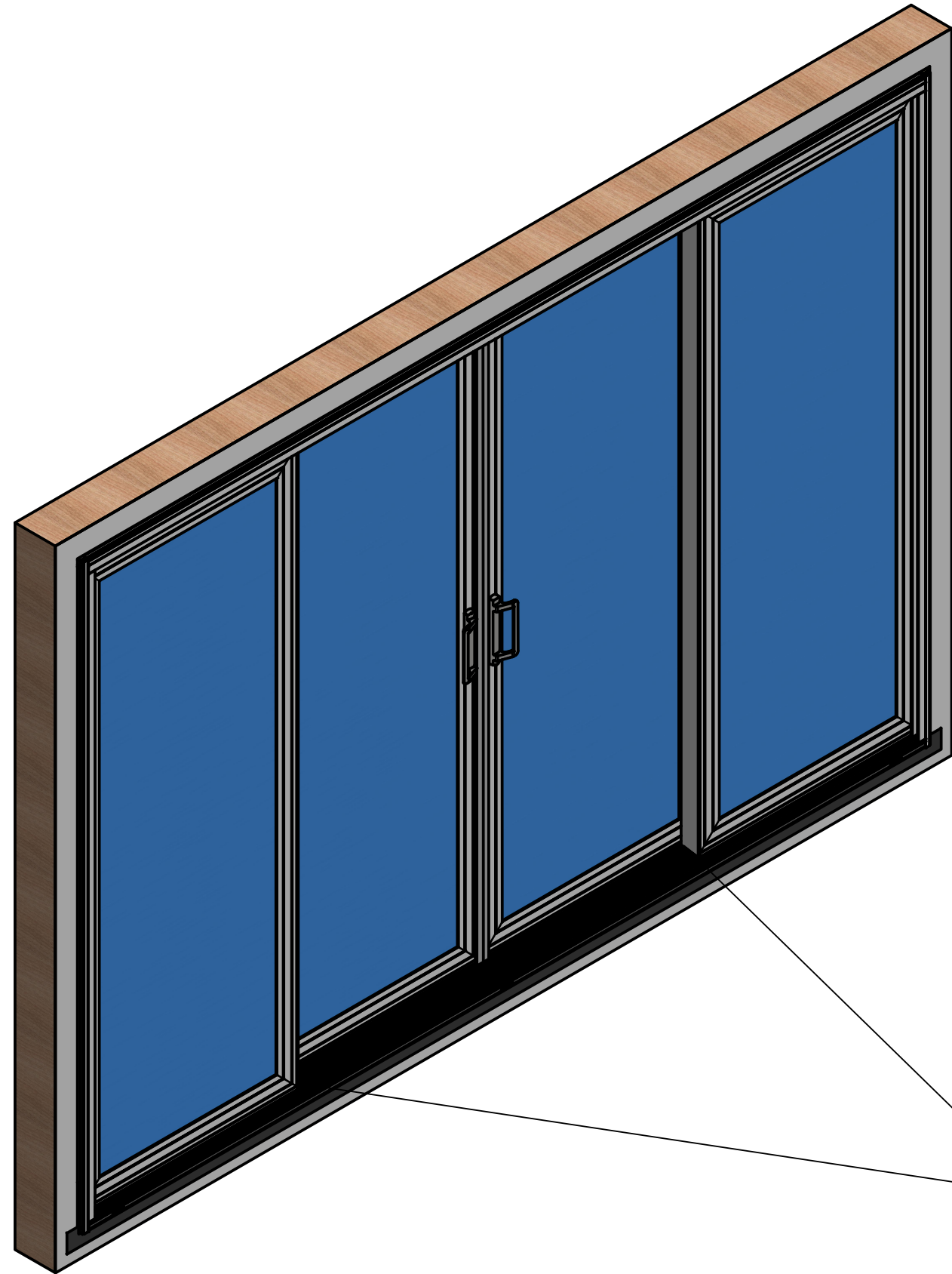


DETAIL T  
SCALE 1 / 2

17.) INSTALL ANTI-LIFT BLOCK.  
THE BLOCK SHOULD BE FLUSH WITH THE SASH END  
IN LOCKED POSITION.  
THIS WILL ENSURE THAT THE INTERLOCK DOES NOT  
INTERFERE IN THE OPERATION

TOOLS REQUIRED:  
SEALANT

18.) SLIDE OPERATING PANEL INTO A CLOSED POSITION AND  
INSTALL FIXED SASH INTERLOCK.  
SEAL THE BOTTOM OF THE INTERLOCK TO THE SILL TOWER  
WITH HIGH QUALITY SEALANT

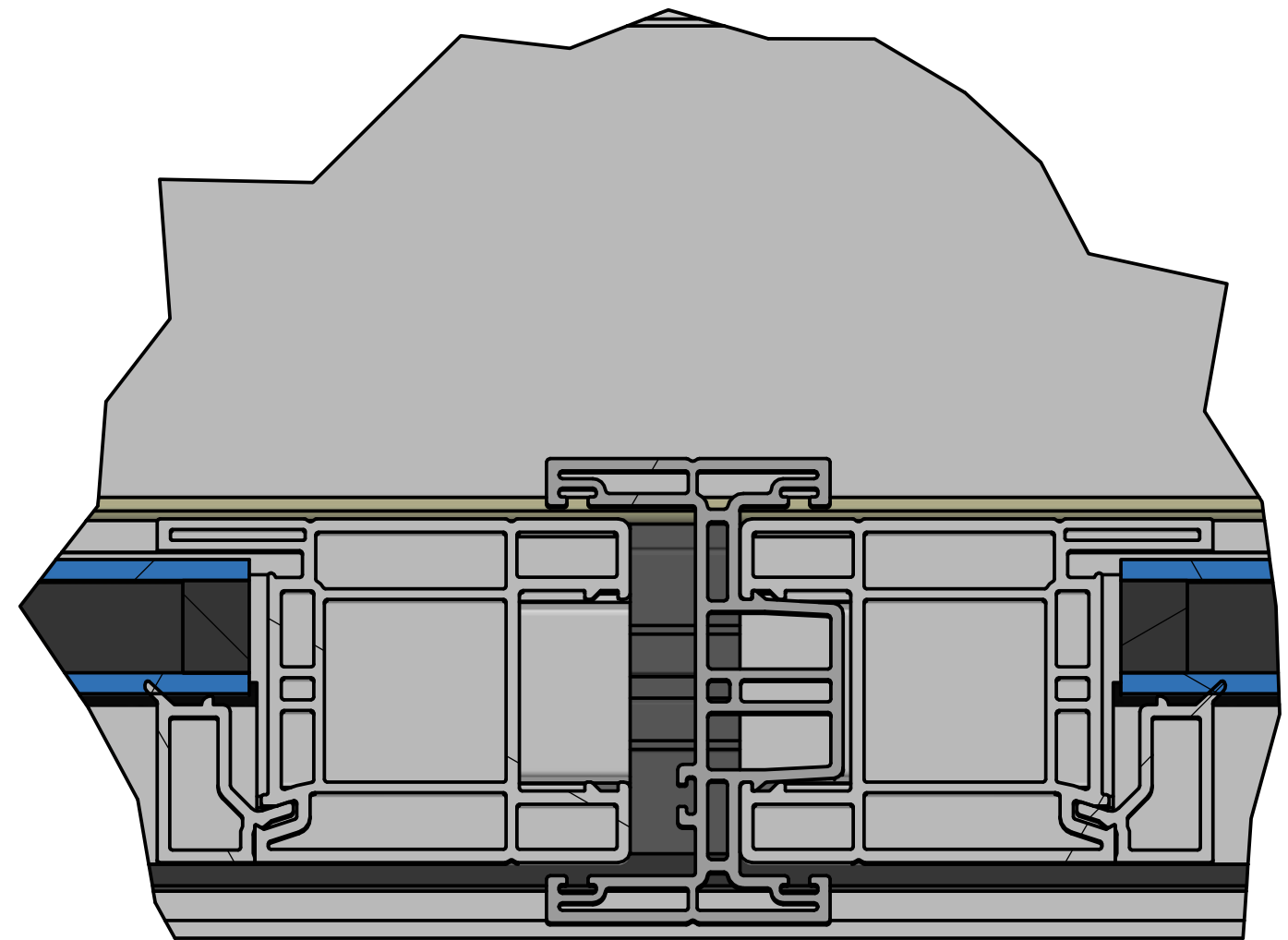
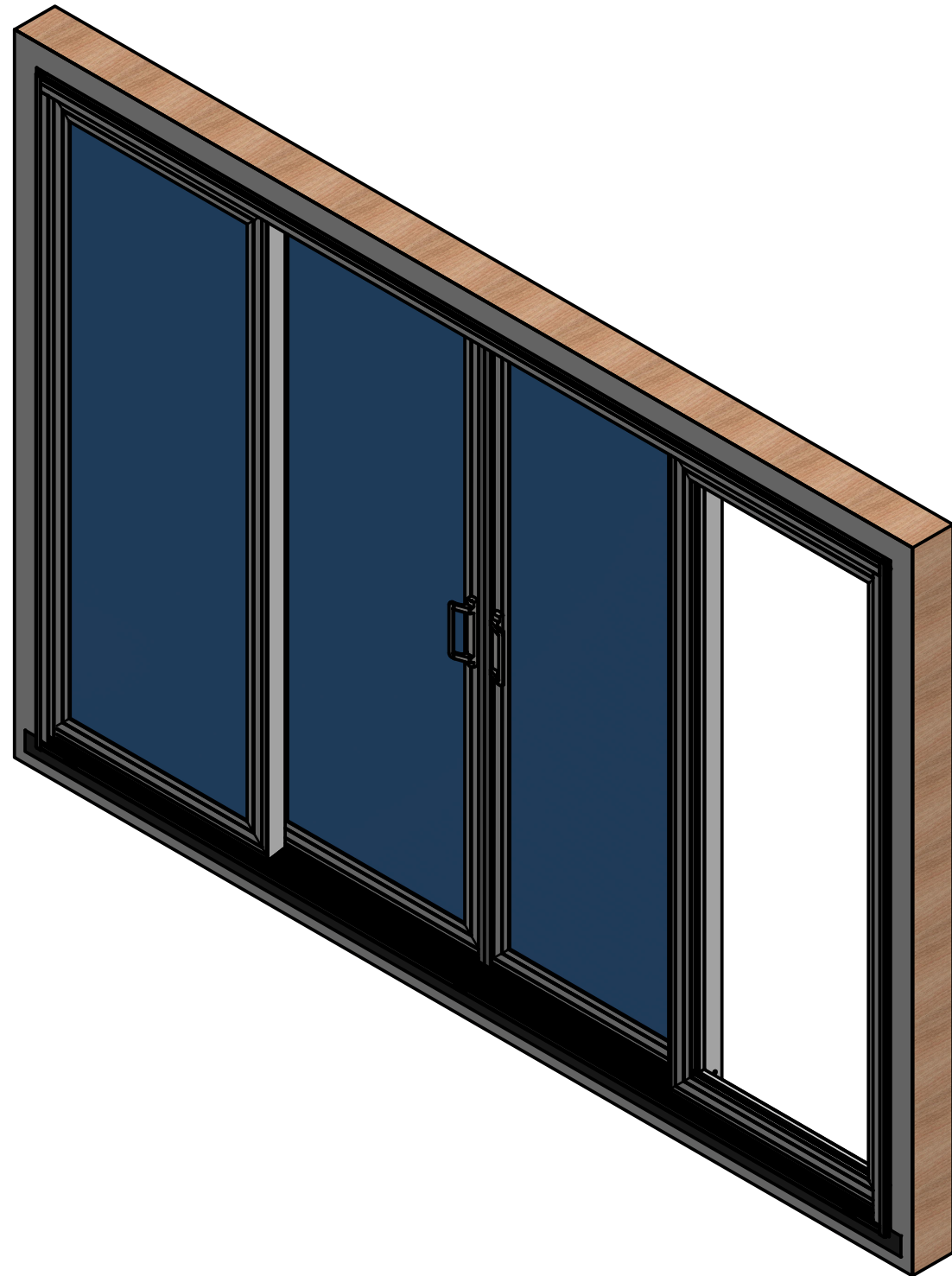


SEALANT  
LOCATION

TOOLS REQUIRED:  
MALLET

- 19.) INSTALL OPERATING SASH INTERLOCK
- 20.) INSTALL OPERATING JAMB POCKET COVERS
- 21.) INSTALL 4-PANEL MULLION & FASTEN WITH OXXO SCREWS

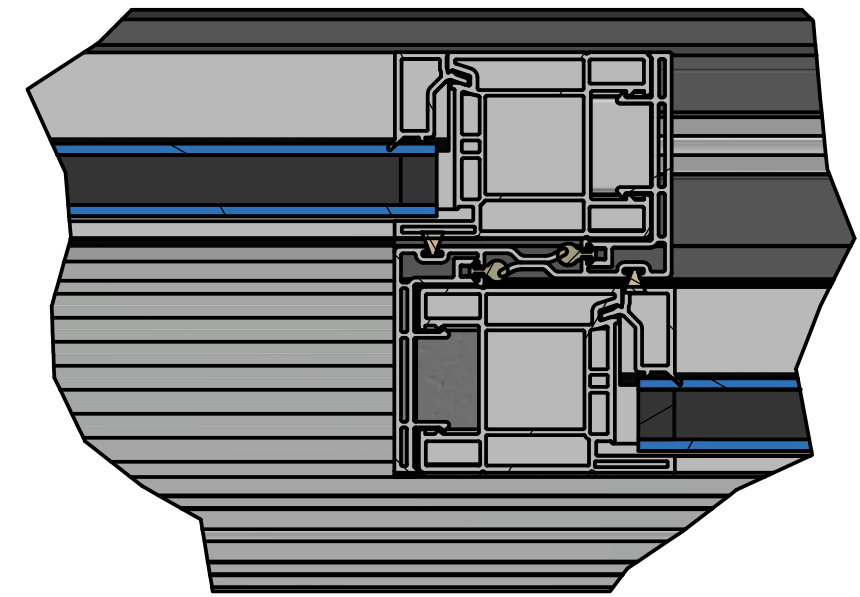
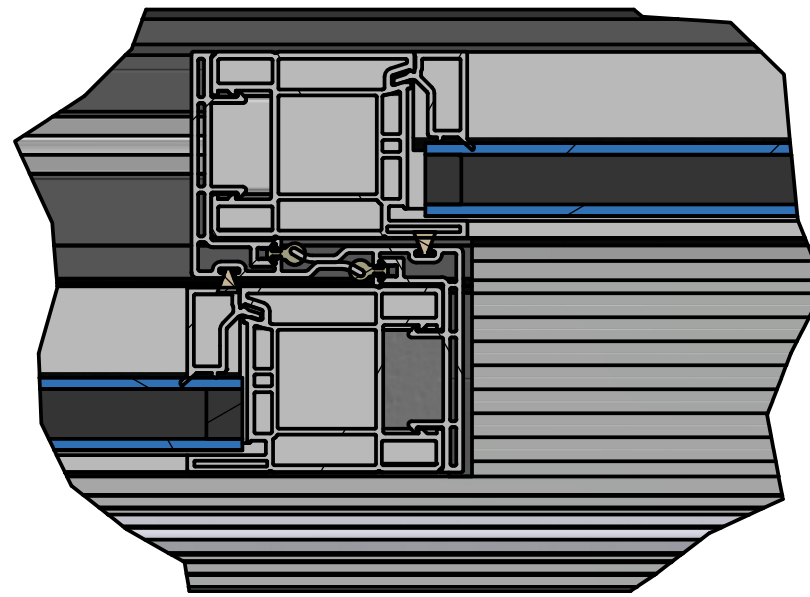
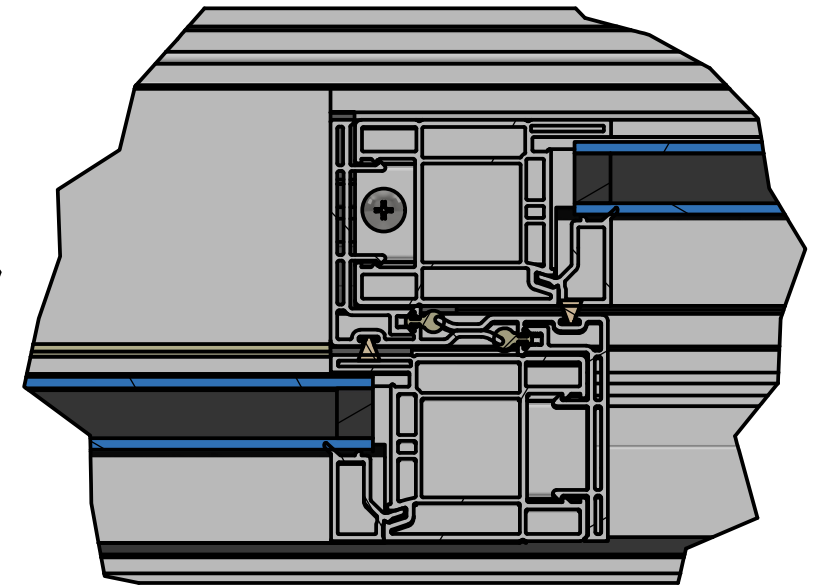
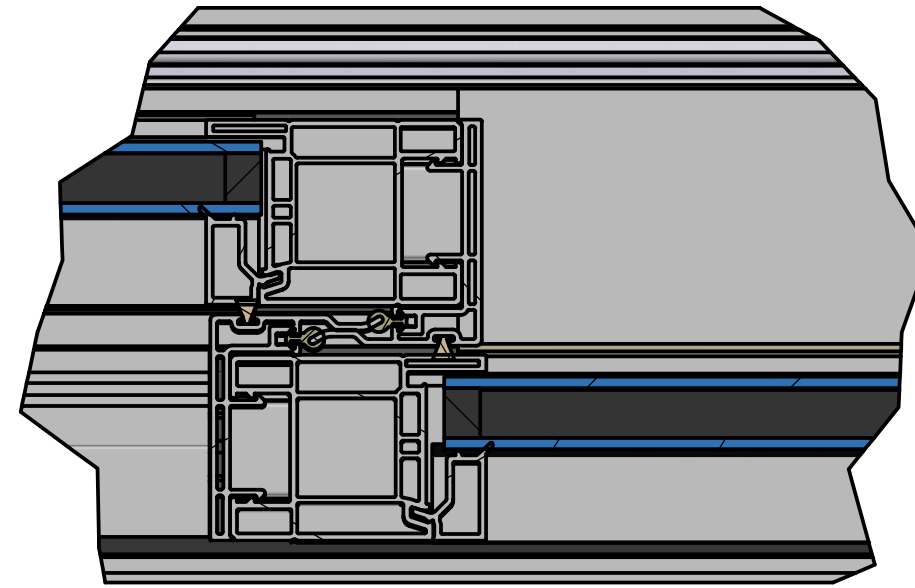
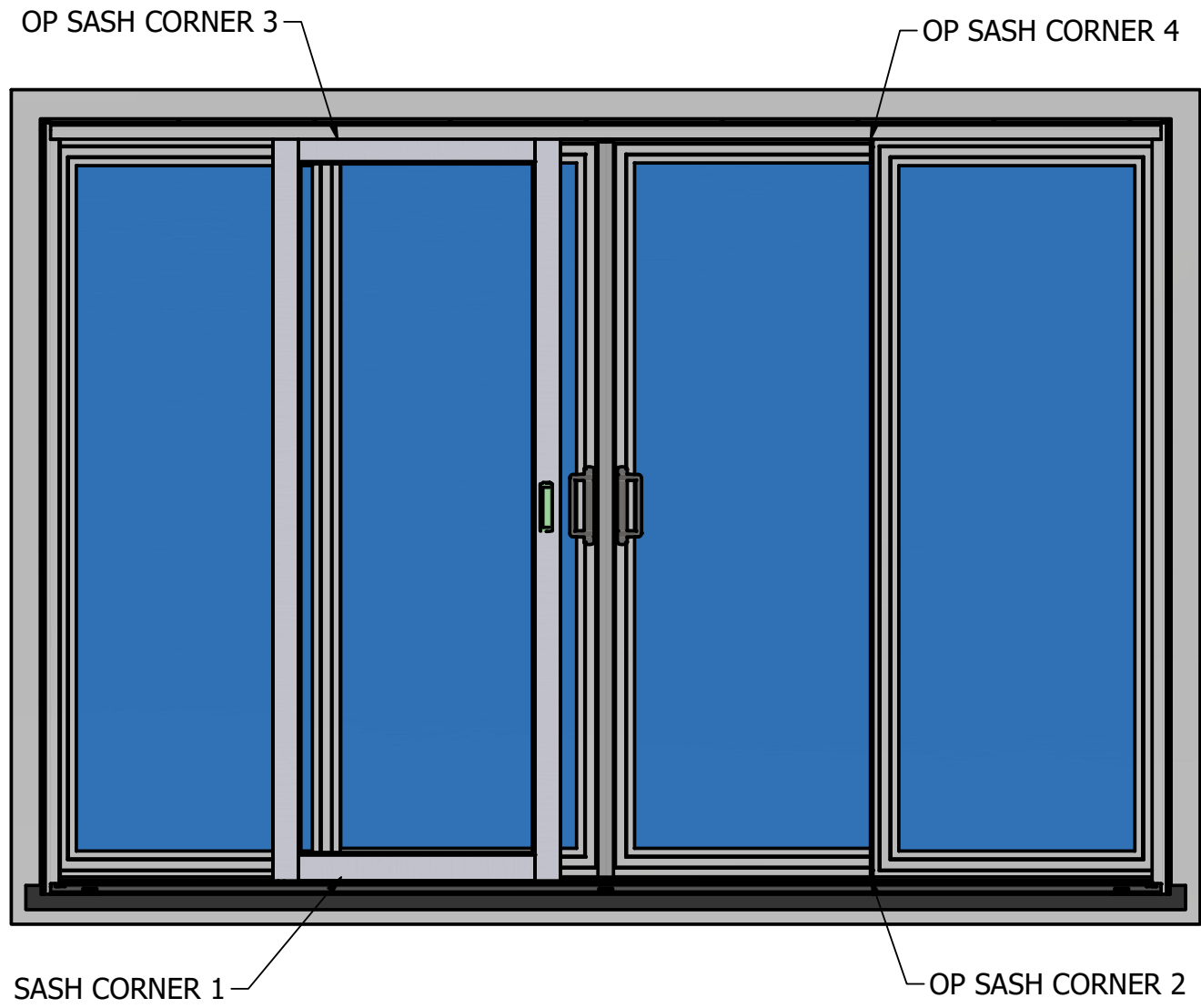
CHECK ALIGNMENT BETWEEN THE TWO SASHES INTERLOCK SHOULD BE FLUSH WITH GLASS STOP AS SHOWN BELOW



DETAIL BD  
SCALE 1 : 1

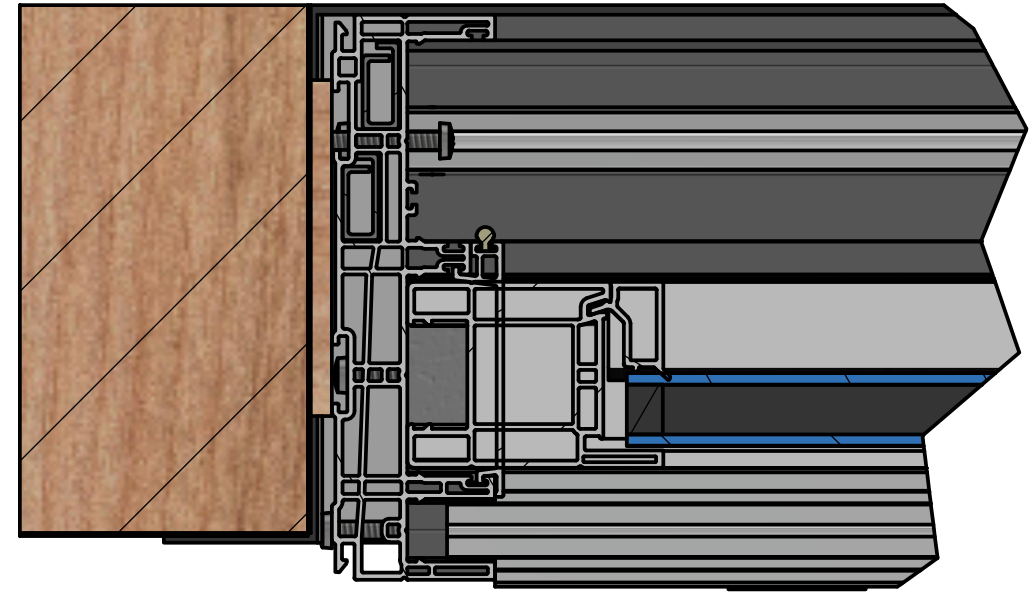
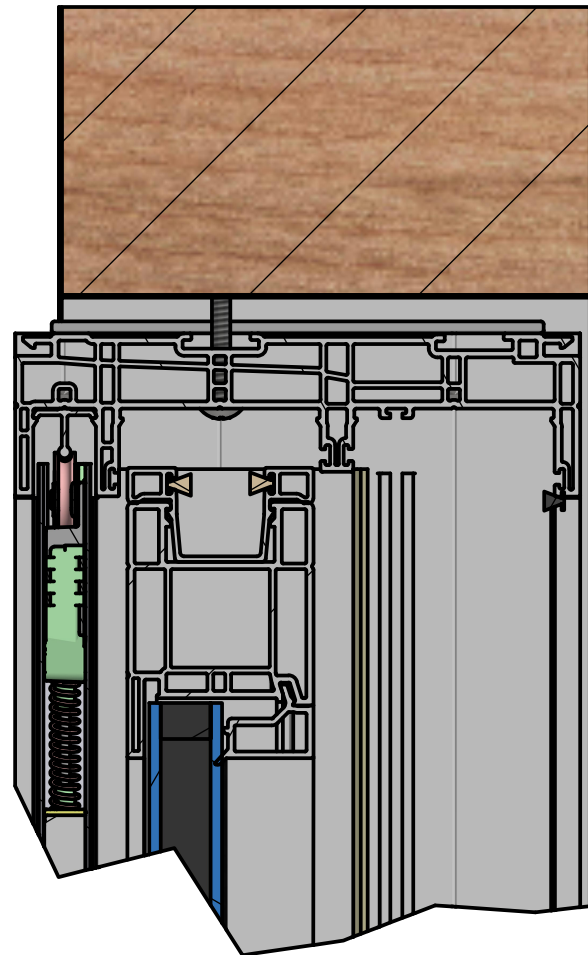
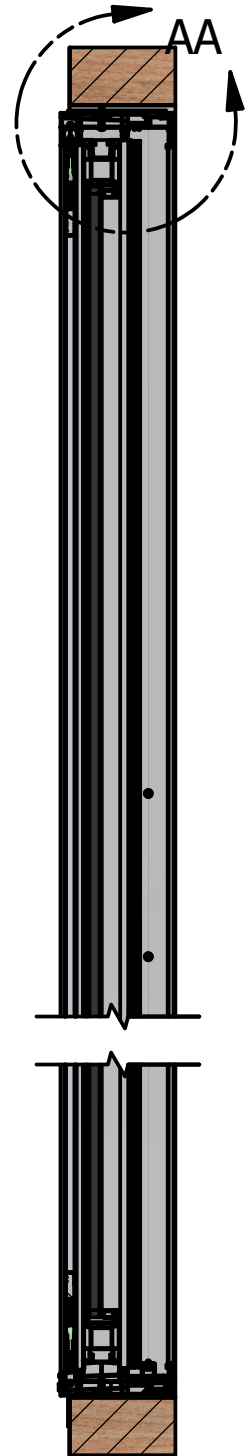
TOOLS REQUIRED:  
MALLET, SILICONE

22.) INSTALL HEAD JAMB POCKET COVER AND SEAL EACH END  
23.) FROM THE EXTERIOR SEAL THE POCKET COVER TO THE SLOPPED SILL COVER ENDS





TOOLS REQUIRED:  
BACKER ROD, SPRAY FOAM INSULATION  
UTILITY KNIFE



24.) FROM THE EXTERIOR INSTALL BACKER RODS AROUND THE DOOR JAMBS AND HEAD. USE THE APPROPRIATE SIZE ENSURING AT LEAST 25% BACKER ROD COMPRESSION.

25.) INSULATE BETWEEN THE DOOR FRAME AND THE ROUGH OPENING, ENSURING ALL VOIDS ARE FILLED. CAUTION MUST BE EXERCISED NOT TO OVER PACK THE INSULATION CAUSING UNIT FRAME TO DISTORT.

26.) SEAL AND TRIM DOOR INSIDE AND OUT TO SUIT APPLICATION.

4

3

2

1

27.)INSTALL AND ADJUST SCREEN DOOR

B

B

AL

AL

A

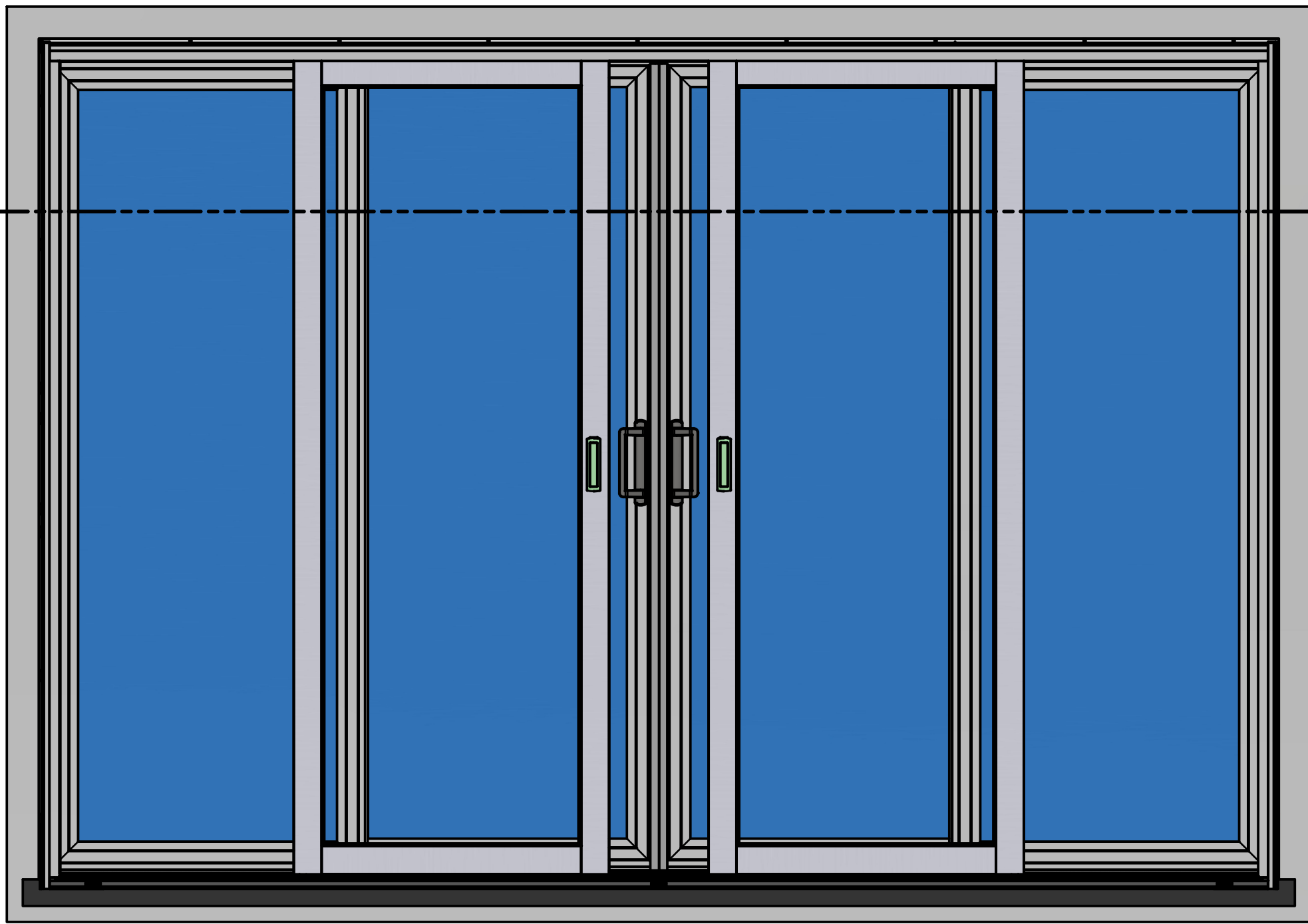
A

4

3

2

1

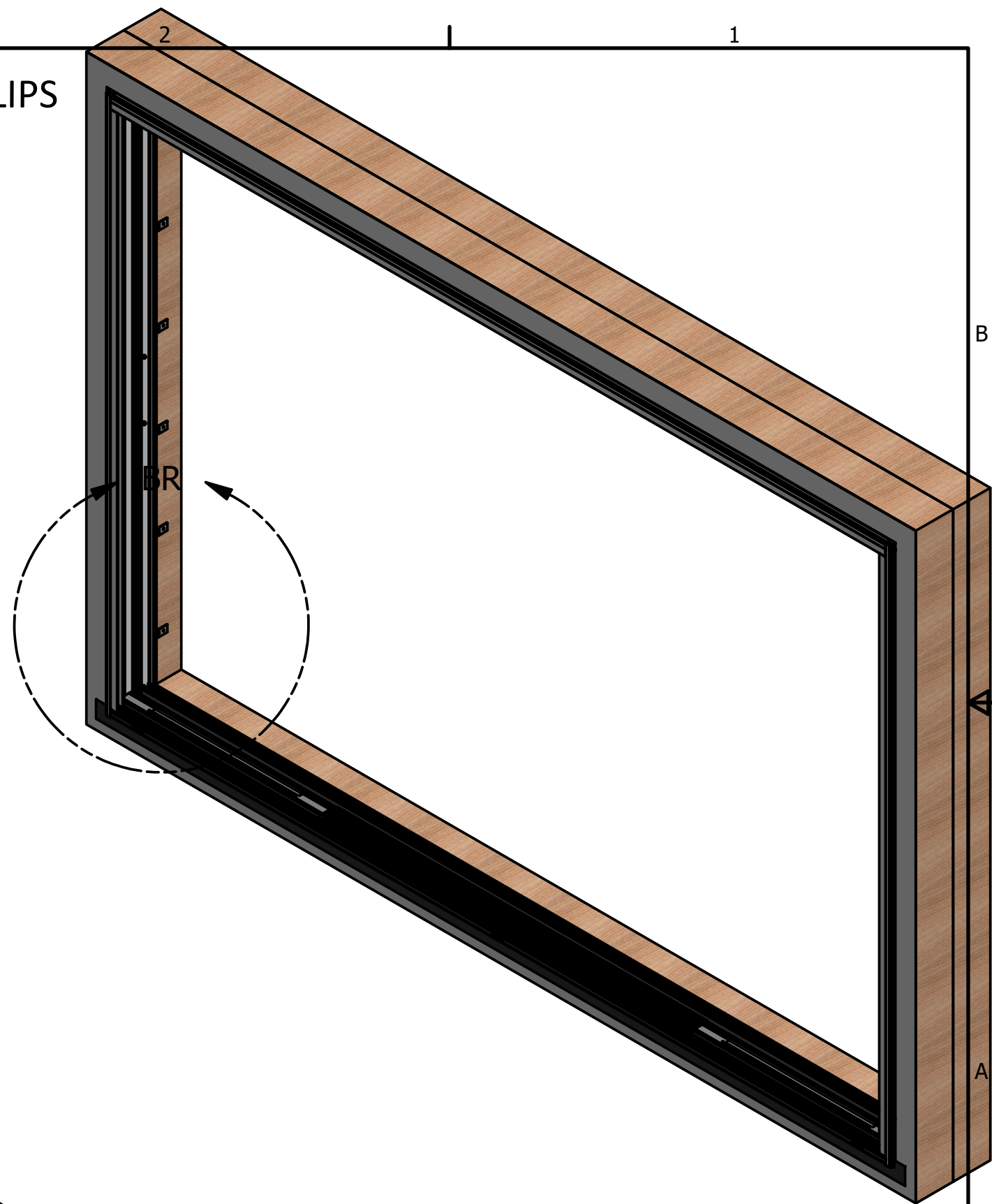
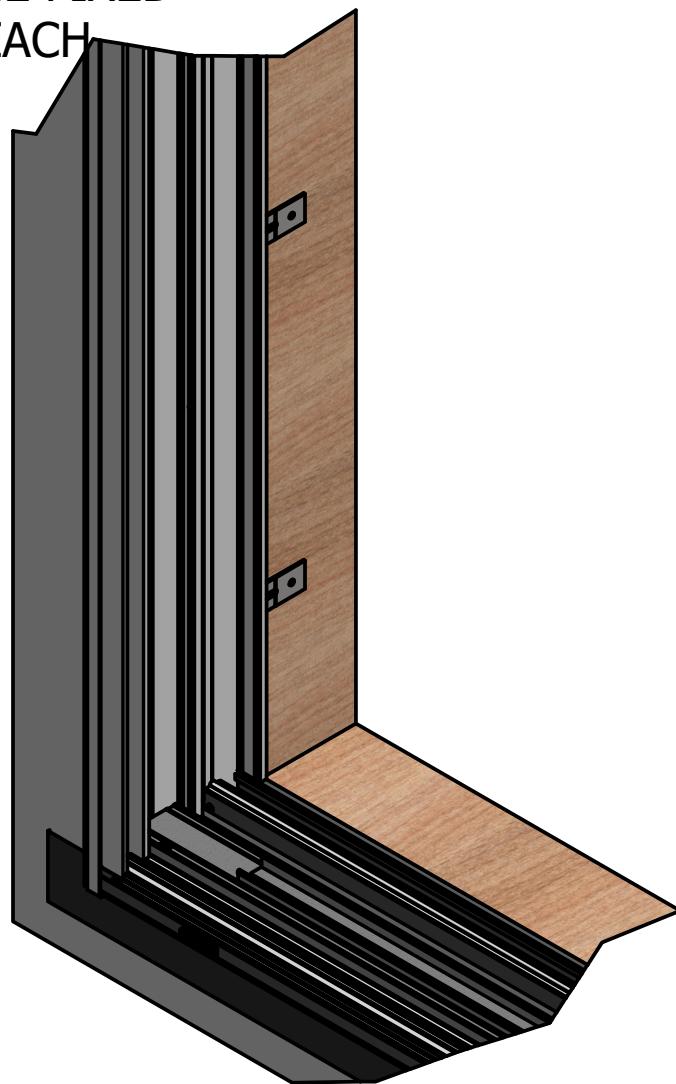
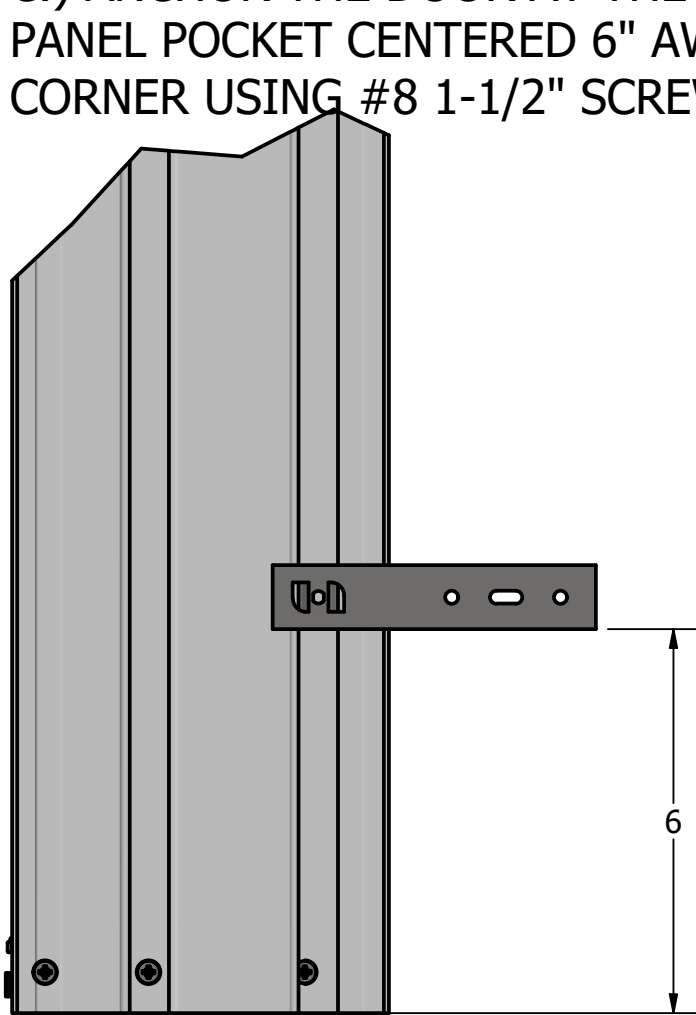


METHOD 2: USING INSTALLATION CLIPS

5.)  
A) PLACE THE GALVANIZED STEEL ANCHOR CLIPS 6" IN FROM EACH CORNER AND THEN AT APPROXIMATELY 16" INTERVALS AT THE JAMBS AND AT THE HEAD

B.) CENTER THE FRAME IN OPENING SO THERE IS EQUAL SPACE BETWEEN THE FRAME AND THE ROUGH OPENING.  
NOTE: ENSURE SILL ANCHOR IS SITTING IN THE PROPER LOCATION.

C.) ANCHOR THE DOOR AT THE HEAD IN THE FIXED PANEL POCKET CENTERED 6" AWAY FROM EACH CORNER USING #8 1-1/2" SCREWS



Method 2: using the installation clips

Tool Required:

Shims, Tape Measure, Sealant,  
Power Drill, Screws

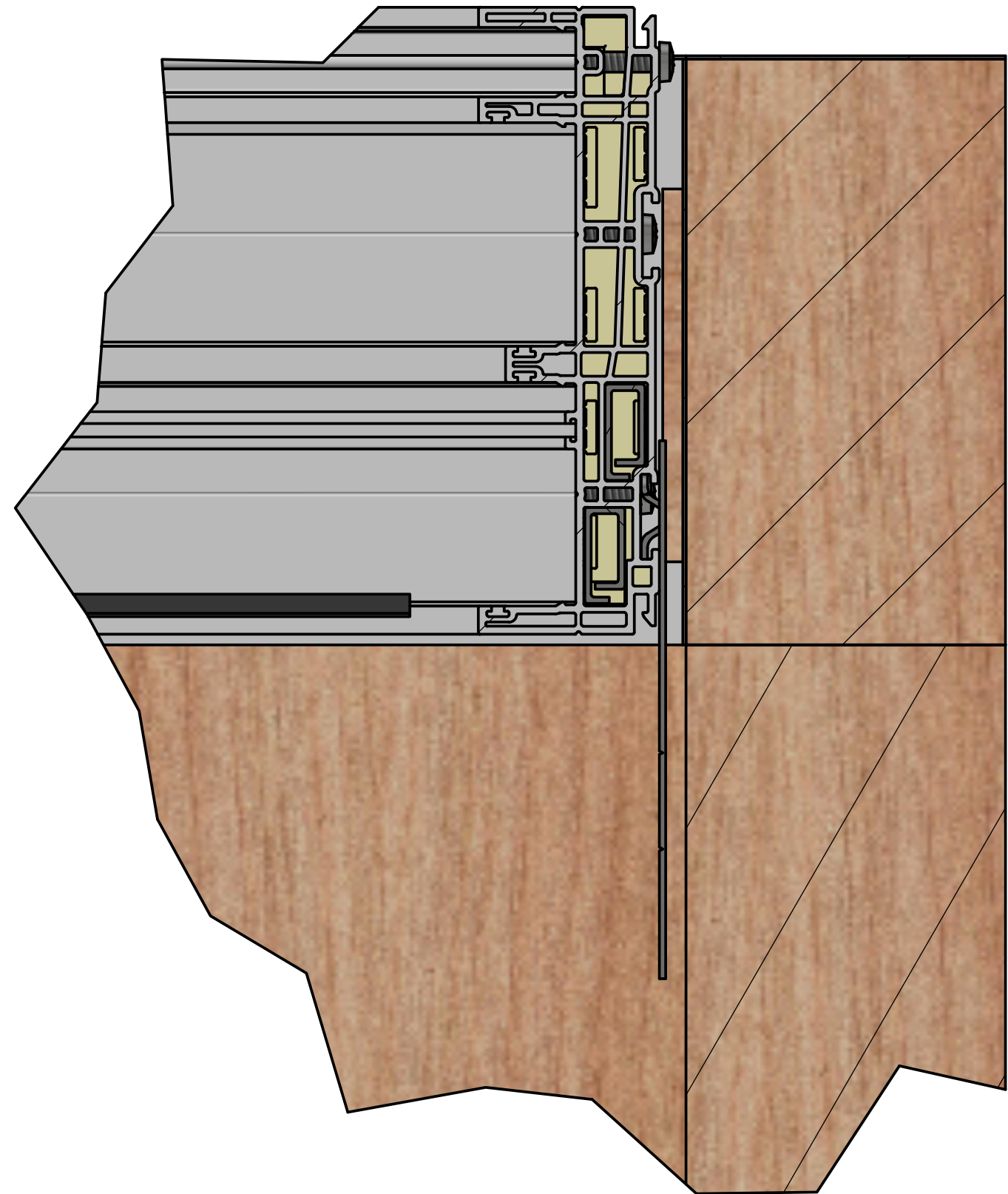
6.) SHIM SIDE JAMB BEHIND EACH CLIP LOCATION; SHIMS SHOULD BE FIRM BUT NOT TIGHT ENOUGH TO CAUSE THE JAMBS TO BOW. CHECK THAT THE FRAME IS LEVEL, PLUMB, AND SQUARE; ADJUST SHIMS IF NECESSARY.

NOTE: ADDITIONAL SHIMS ARE REQUIRED AT SINGLE POINT AND MULTIPOINT KEEPER SCREW LOCATIONS.

DO NOT SHIM THE HEAD

7.) INSTALL SCREWS THROUGH THE HOLES ON THE INSTALLATION CLIPS AT EACH SHIM/ CLIP LOCATION LOCATION BEING CAREFUL NOT TO BOW FRAME. SUGGEST USING #8 X 1-1/2" SCREWS. SCREW LENGTH IS DEPENDENT UPON FRAME STRUCTURE, SCREW LENGTH MUST BE OF SUFFICIENT LENGTH TO SECURELY ANCHOR UNIT IN OPENING. (MINIMUM OF 1" PENETRATION THROUGH THE JAMB IS REQUIRED)

8.) REMOVE KEEPER SCREWS AND REPLACE THEM WITH SUPPLIED SCREWS. SCREWS SHOULD RUN THROUGH THE INSTALLED SHIMS INTO THE ROUGH OPENING. IMPORTANT: WHEN ANCHORING UNIT THROUGH JAMB, SEAL SCREW HEADS WITH SILICONE.



4

3

2

1



B

B

OPERATING PANEL INSTALLATION



A

A

4

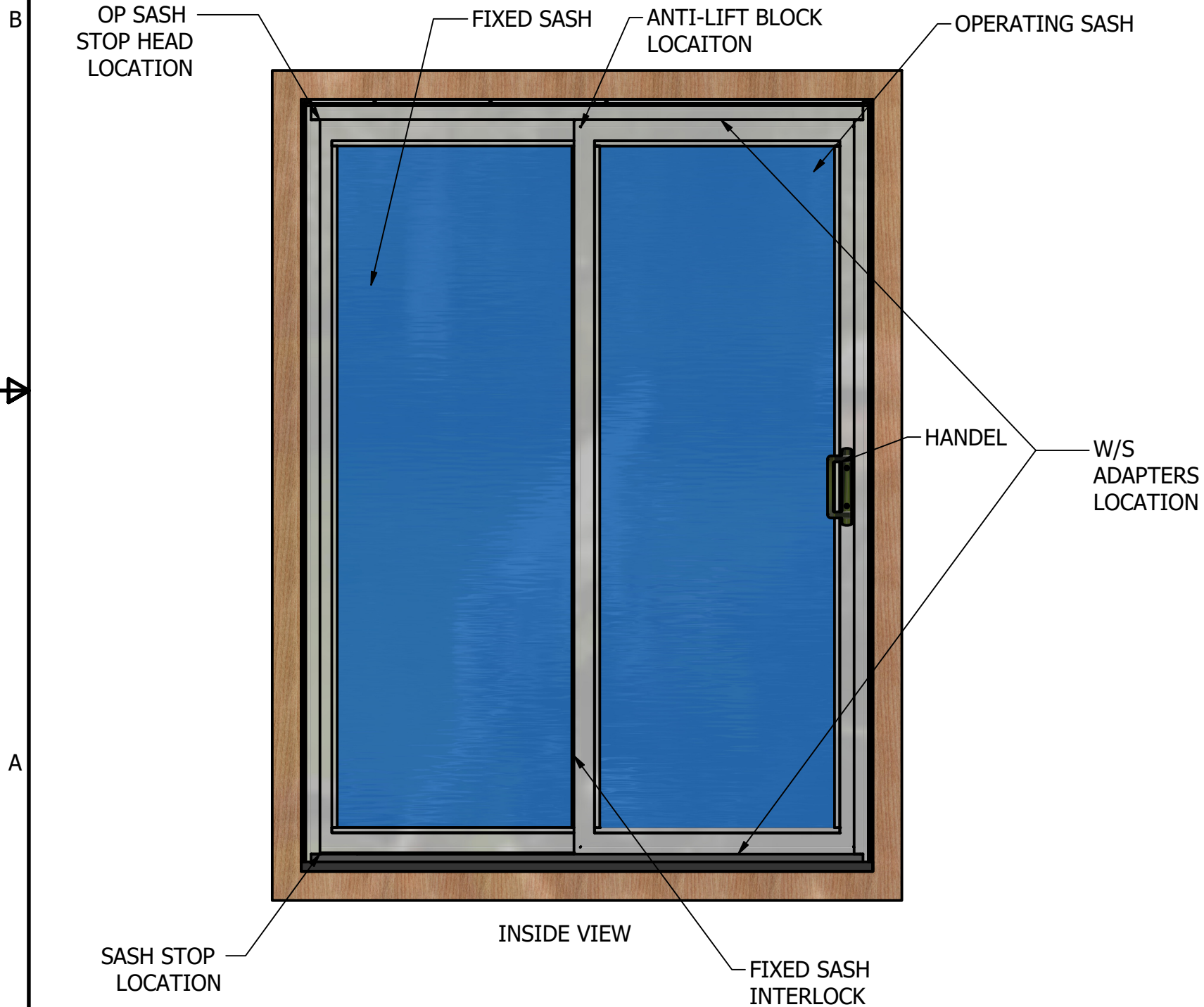
3

2

1



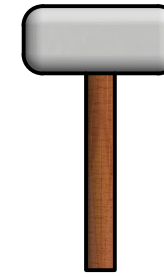
# COMFORT STAR PATIO DOOR OPERATING SASH INSTALL



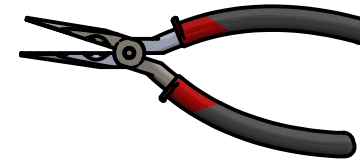
## TOOLS:



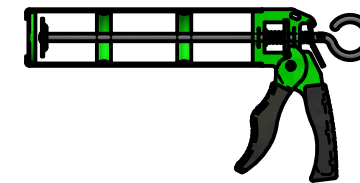
PRY BAR



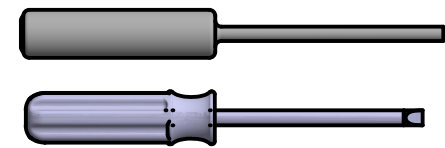
MALLET



NEEDLE NOSE PLIERS



SEALANT & SILICON GUN

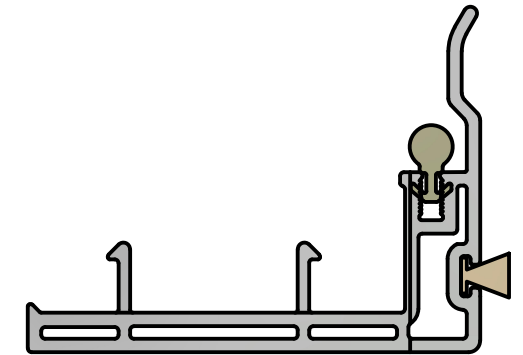


SCREW DRIVER SET  
(PHILLIPS, SQUARE, FLAT)

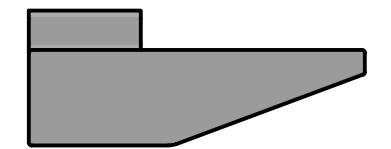
## PARTS:



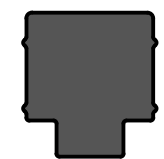
EXT. JAMB POCKET COVER  
EXT. HEAD POCKET COVER  
INT. JAMB POCKET COVER  
INT. OP SASH STOP HEAD  
(4 PIECES IN TOTAL)



OPERATING SASH INTERLOCK  
FIXED SASH INTERLOCK  
(2 PIECES)



ANTI-LIFT BLOCK



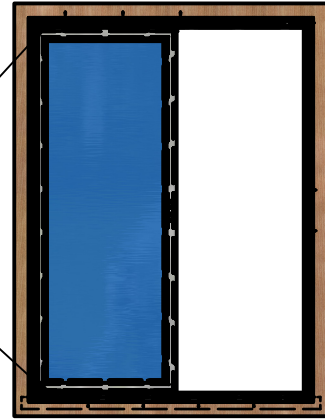
SASH STOP

**HOW TO INSTALL OPERATING SASH**

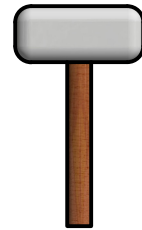
STEP 1: REMOVE AND STORE BOTH SASH STOPS (HEAD & SILL)



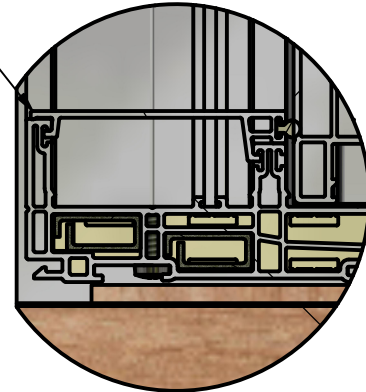
SASH STOPS



STEP 2: REMOVE INTERIOR POCKET COVER



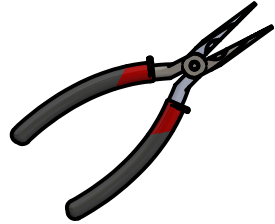
POCKET COVER



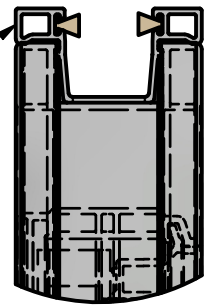
INSIDE

OUTSIDE

STEP 3: REMOVE W/S ADAPTER FROM OPERATING PANEL HEAD



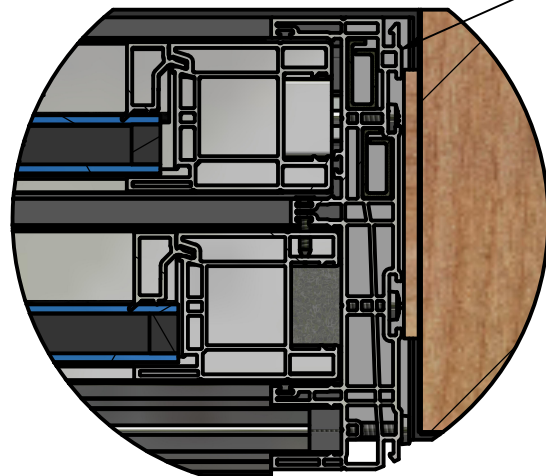
W/S ADAPTER



STEP 4: LIFT & SLIDE THE SASH INSIDE FIXED JAMB POCKET

INSIDE

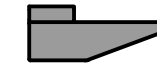
FIXED JAMB



OUTSIDE

*NOTE: BE AWARE OF THE SASH WEIGHT, IT MAY REQUIRE 2 PEOPLE ON BIGGER DOORS*

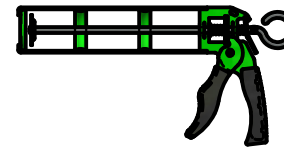
STEP 5: ALIGN & INSTALL ANTI-LIFT BLOCK WITH CENTER OF THE DOOR (END OF THE GRAY HEAD TRACK)



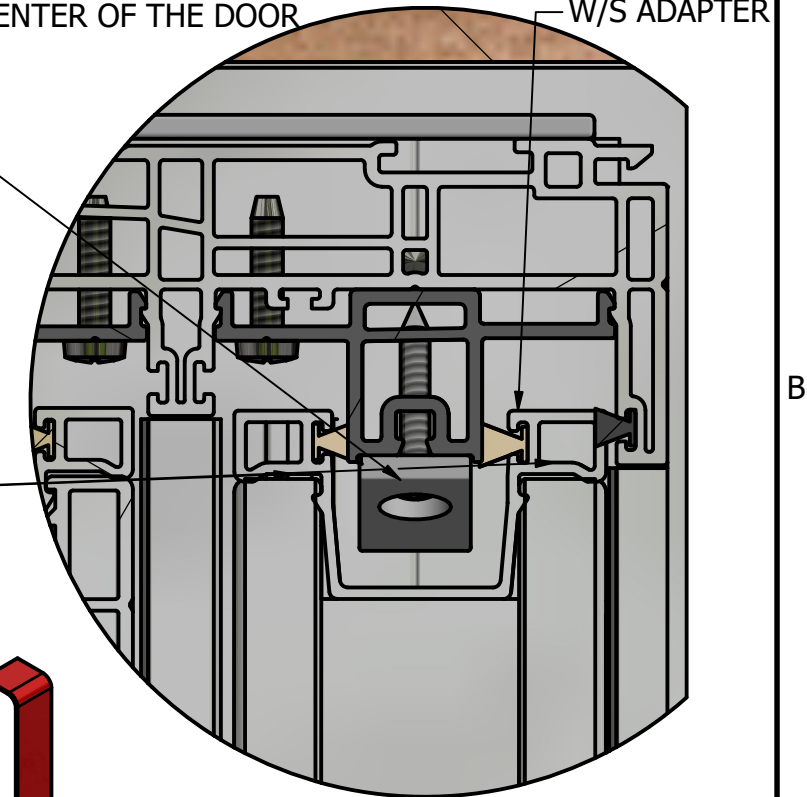
ANTI-LIFT BLOCK



STEP 6: SEAL THE END OF THE W/S ADAPTER AND SLID IT ON TOP OF SASH

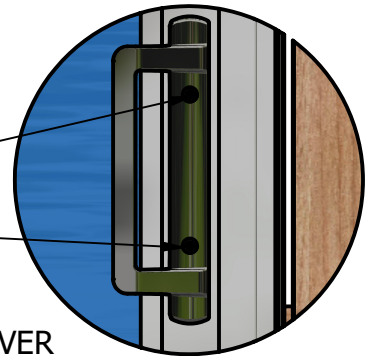


*NOTE: WHEN RE-INSTALLING W/S ADAPTER USE A PRY-BAR ALONG EACH SIDE OF THE ADAPTER TO SECURE IN PLACE; CLEAN EXCESS SEALANT*



W/S ADAPTER

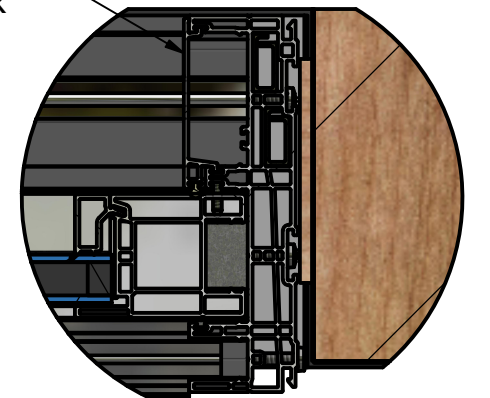
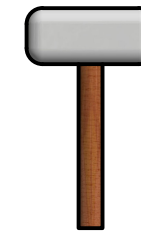
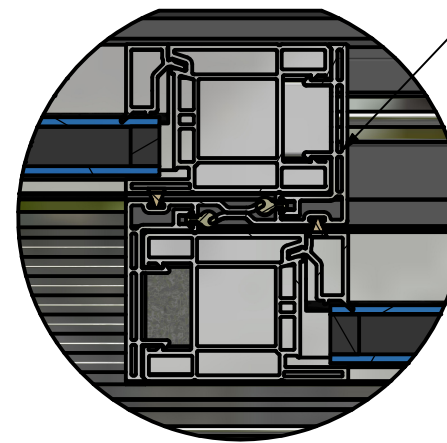
STEP 7: INSTALL OPERATING PANEL HANDLE



STEP 8: INSTALL OPERATING PANEL INTERLOCK & INTERIOR POCKET COVER

OP. PANEL INTERLOCK

POCKET COVER



STEP 9: RE-INSTALL SASH STOPS & OPERATE SASH (ADJUST ROLLERS IF NEEDED)