

Dec-08/2022

4

3

2

1

NORTH STAR WINDOWS AND DOORS

INSTALLATION OF KD DOOR

B

B

A

A

4

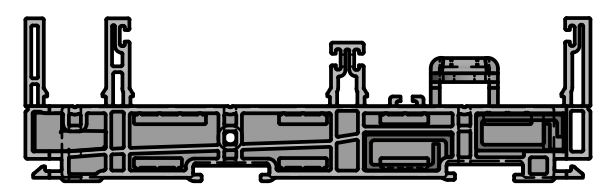
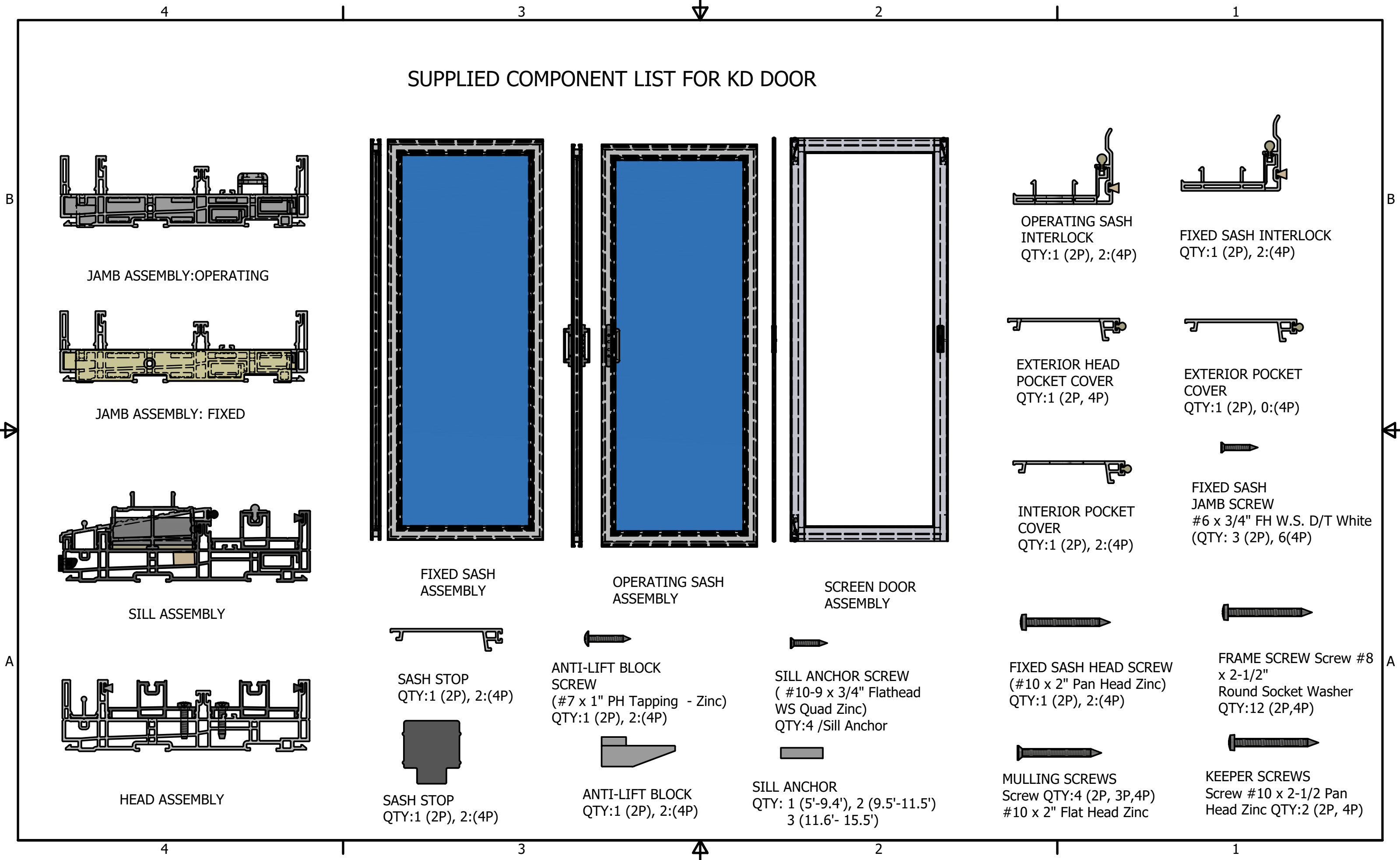
3

2

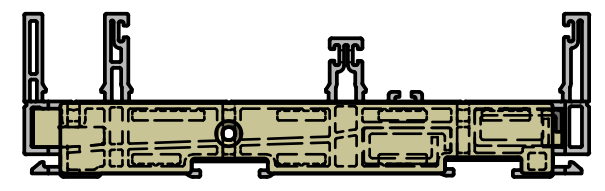
1



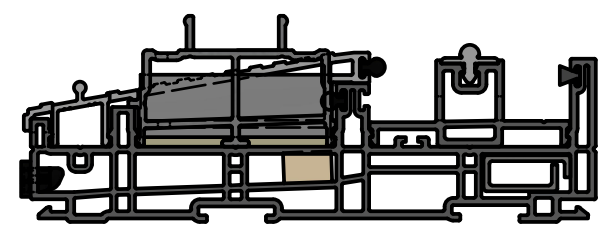
SUPPLIED COMPONENT LIST FOR KD DOOR



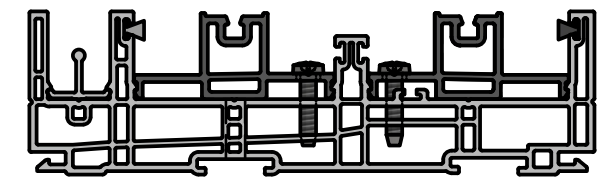
JAMB ASSEMBLY: OPERATING



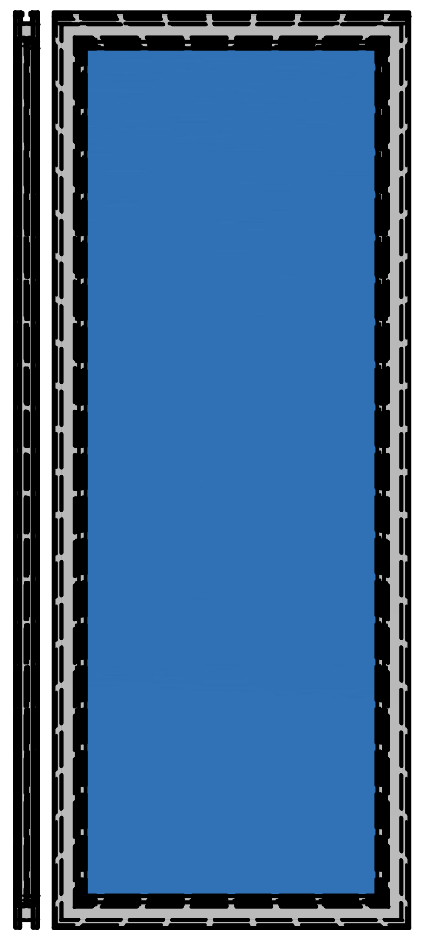
JAMB ASSEMBLY: FIXED



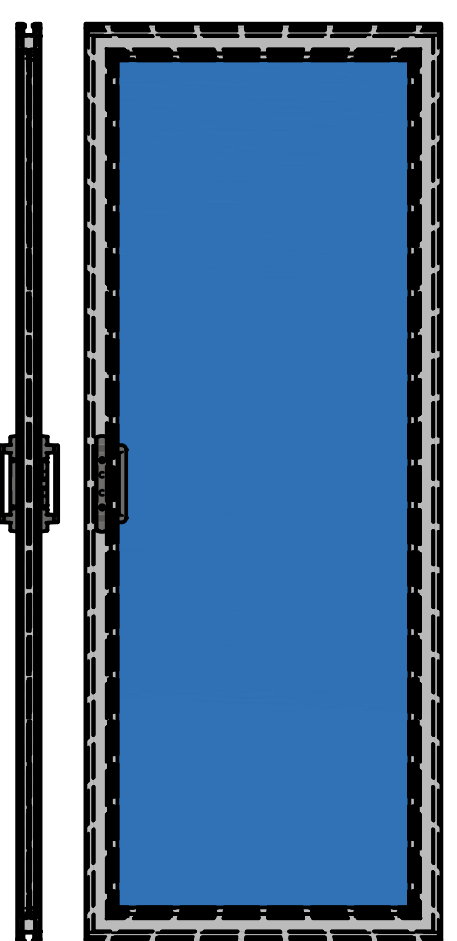
SILL ASSEMBLY



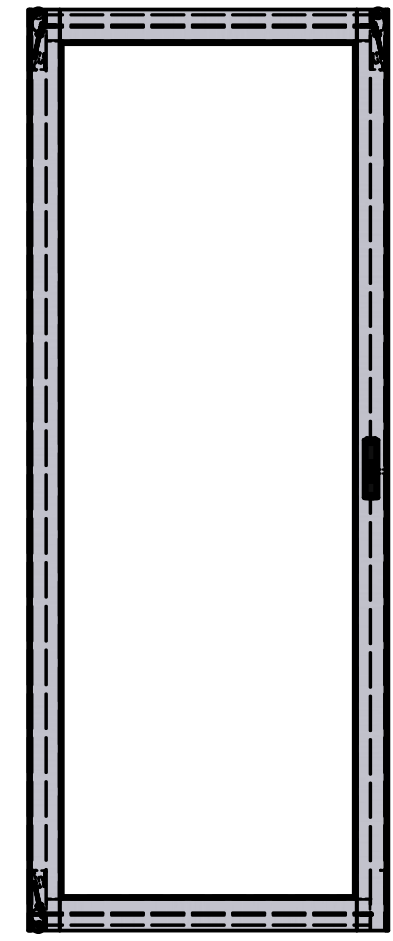
HEAD ASSEMBLY



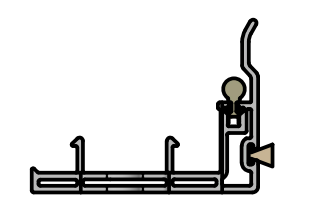
FIXED SASH ASSEMBLY



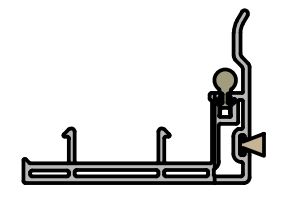
OPERATING SASH ASSEMBLY



SCREEN DOOR ASSEMBLY



OPERATING SASH INTERLOCK
QTY:1 (2P), 2:(4P)



FIXED SASH INTERLOCK
QTY:1 (2P), 2:(4P)



EXTERIOR HEAD POCKET COVER
QTY:1 (2P, 4P)



EXTERIOR POCKET COVER
QTY:1 (2P), 0:(4P)



INTERIOR POCKET COVER
QTY:1 (2P), 2:(4P)



FIXED SASH JAMB SCREW
#6 x 3/4" FH W.S. D/T White
(QTY: 3 (2P), 6(4P))



SASH STOP
QTY:1 (2P), 2:(4P)



ANTI-LIFT BLOCK SCREW
(#7 x 1" PH Tapping - Zinc)
QTY:1 (2P), 2:(4P)



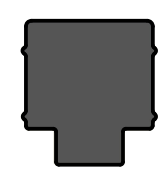
SILL ANCHOR SCREW
(#10-9 x 3/4" Flathead WS Quad Zinc)
QTY:4 /Sill Anchor



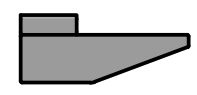
FIXED SASH HEAD SCREW
(#10 x 2" Pan Head Zinc)
QTY:1 (2P), 2:(4P)



FRAME SCREW Screw #8 x 2-1/2" Round Socket Washer
QTY:12 (2P,4P)



SASH STOP
QTY:1 (2P), 2:(4P)



ANTI-LIFT BLOCK
QTY:1 (2P), 2:(4P)



SILL ANCHOR
QTY: 1 (5'-9.4'), 2 (9.5'-11.5')
3 (11.6'- 15.5')



MULLING SCREWS
Screw QTY:4 (2P, 3P,4P)
#10 x 2" Flat Head Zinc



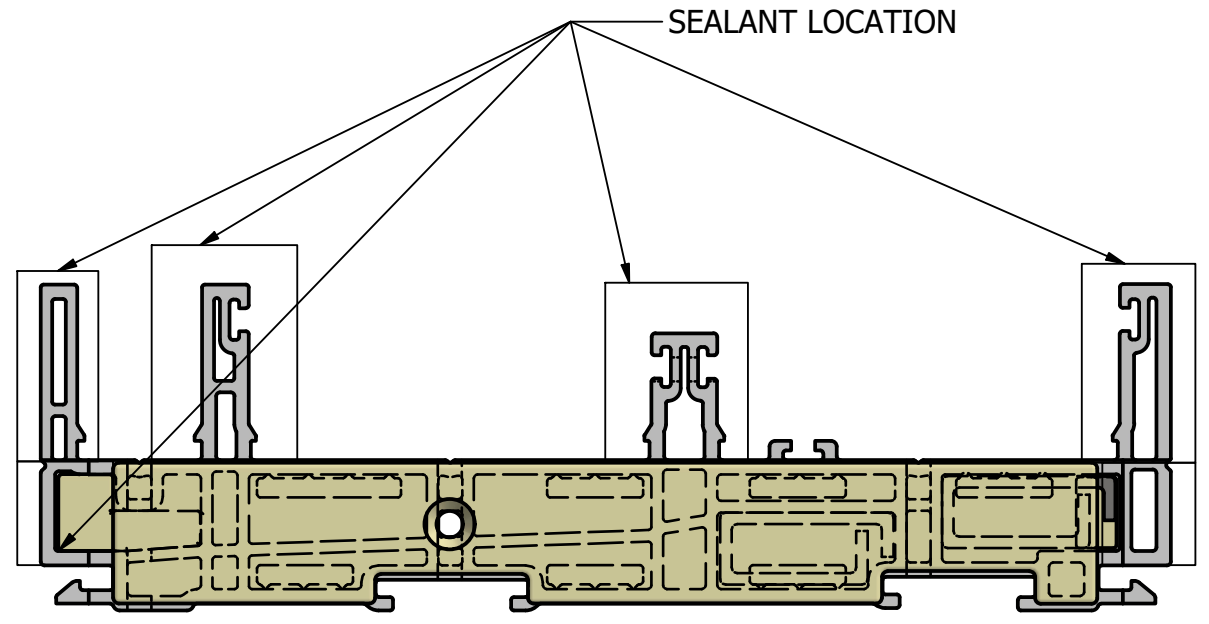
KEEPER SCREWS
Screw #10 x 2-1/2 Pan Head Zinc QTY:2 (2P, 4P)

4 | | 3 | | 2 | | 1

TOOL REQUIRED:
SEALANT

B

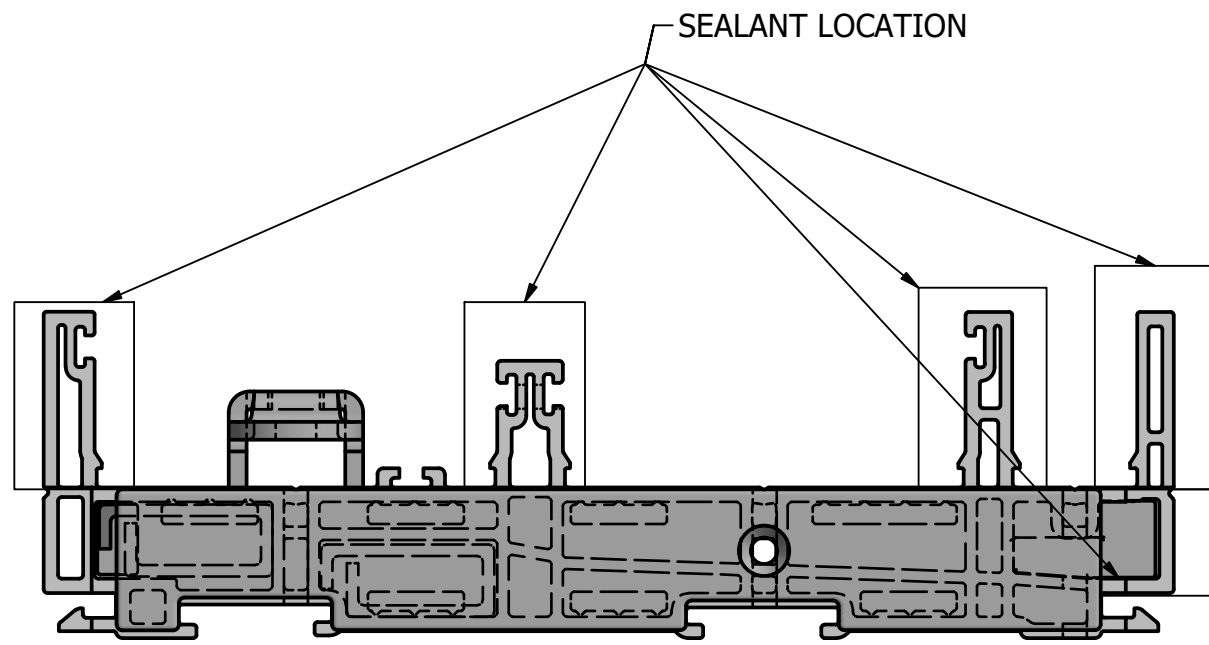
B



1.) APPLY QUALITY SEALANT ON BOTH SIDES
OF THE OPERATING JAMB ASSEMBLY AND THE
FIXED JAMB ASSEMBLY.

A

A



4 | | 3 | | 2 | | 1

4

3

2

1

TOOL REQUIRED:
POWER DRILL, FRAME
SCREWS

2.) JOIN THE SILL ASSEMBLY USING 3 PAN HEAD SCREWS CAREFULLY TO NOT BOW THE EXTERIOR
GROOVE CHANNEL.

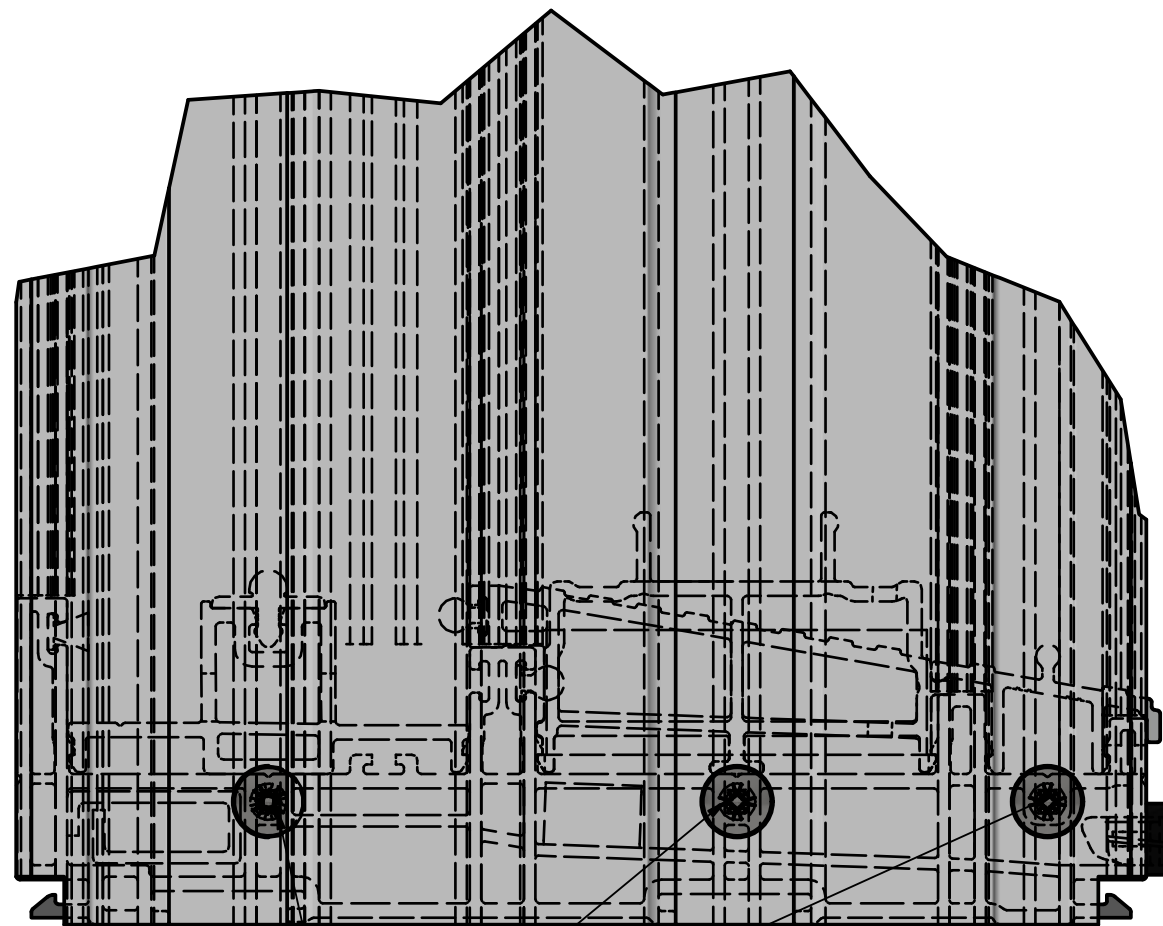
NOTE 1: WHEN MULLING A SIDE-LITE OR ADDING AN EXTERIOR ACCESSORY
(NAIL-FIN/ BRICKMOLD) CHANGE THE SCREW TO MULLING SCREW #10 x 3" Flat Head Zinc

B

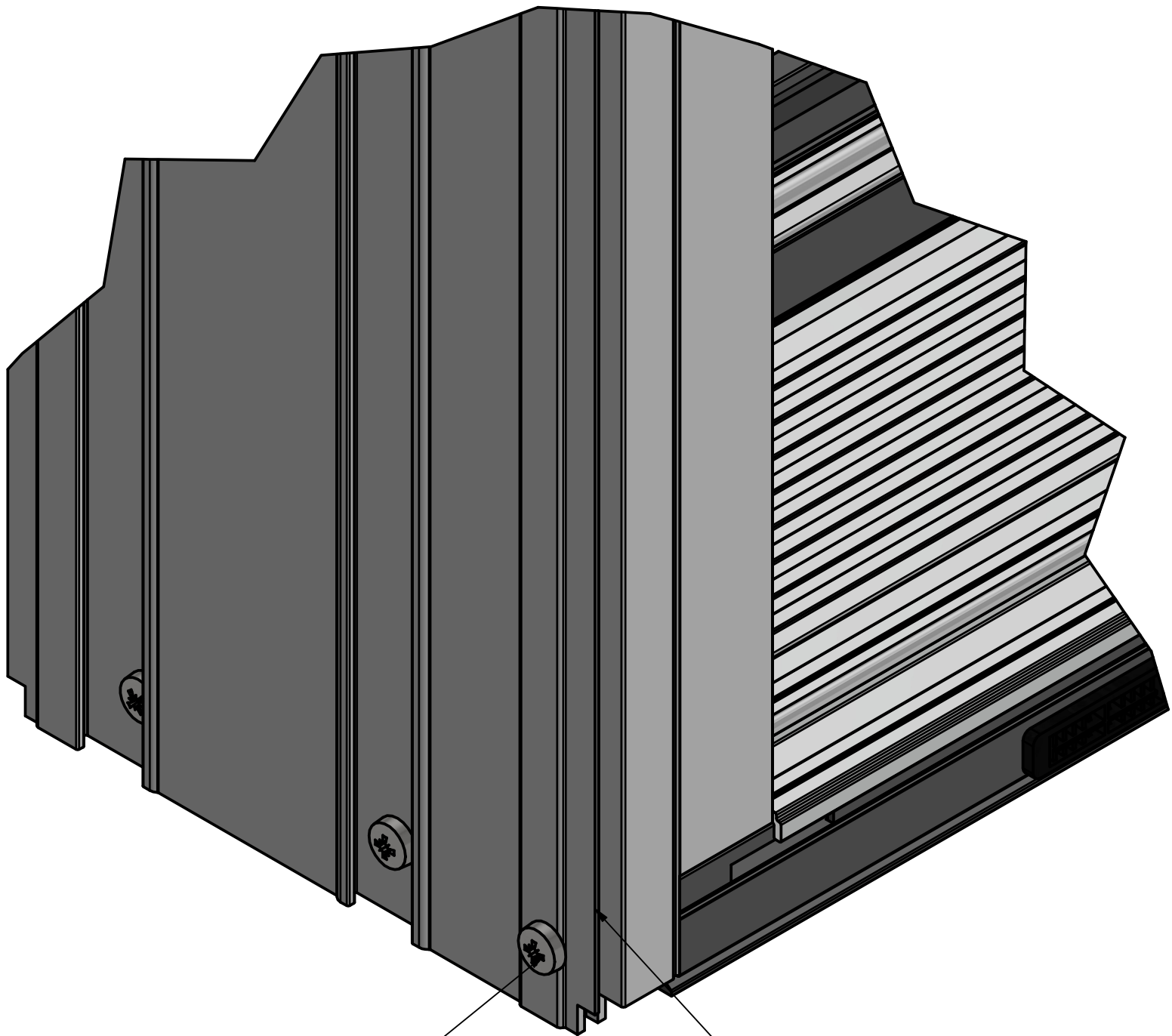
B

A

A



Weep Hole



Pan Head Screw

NOTE:1

Exterior Groove Channel

4

3

2

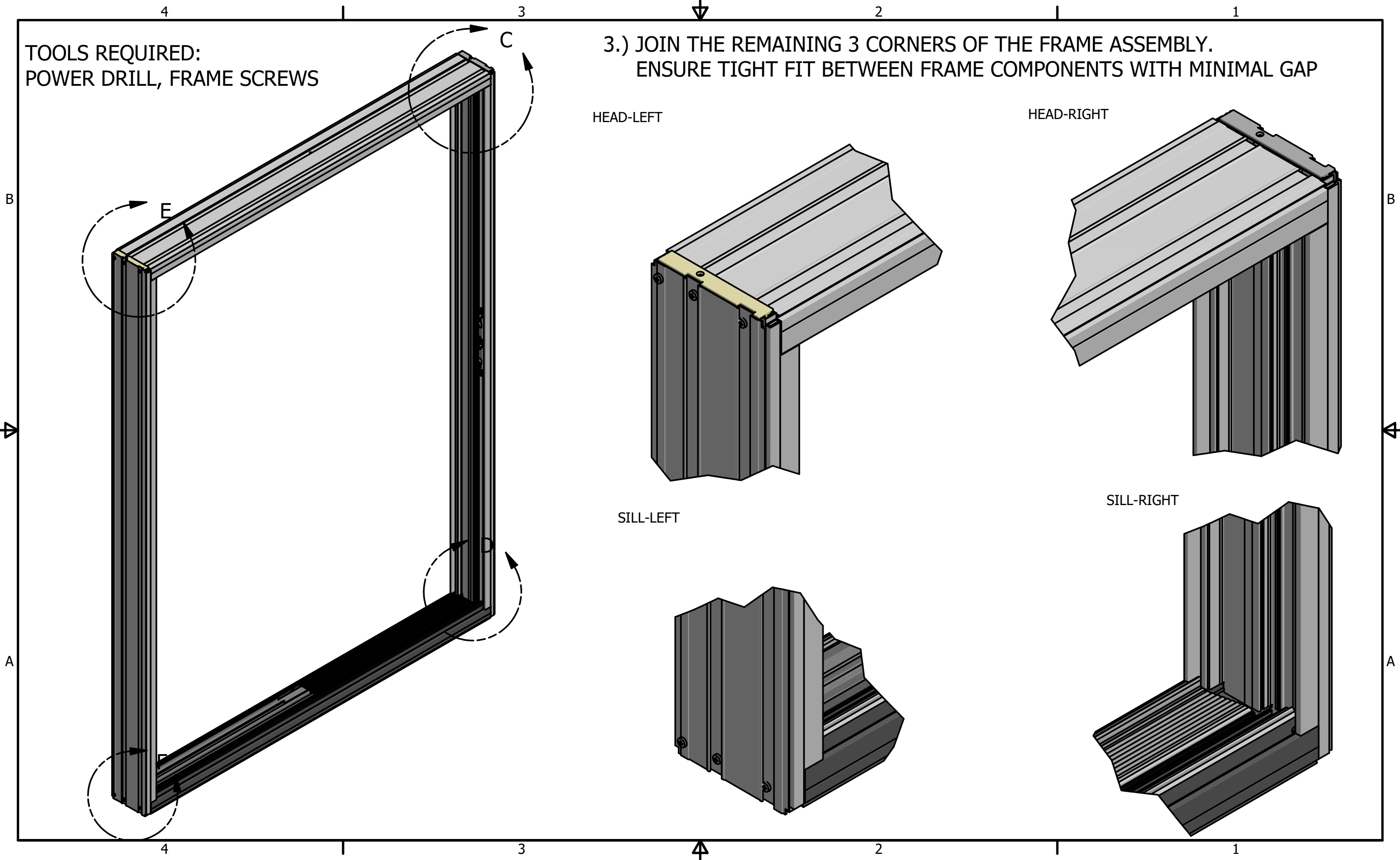
1

A

A

TOOLS REQUIRED:
POWER DRILL, FRAME SCREWS

3.) JOIN THE REMAINING 3 CORNERS OF THE FRAME ASSEMBLY.
ENSURE TIGHT FIT BETWEEN FRAME COMPONENTS WITH MINIMAL GAP



HEAD-LEFT

HEAD-RIGHT

SILL-LEFT

SILL-RIGHT

4 | 3 | 2 | 1

NORTH STAR HAS TWO APPROVED METHODS TO ANCHOR THE FRAME INTO THE ROUGH OPENING

**METHOD 1: ANCHORING THROUGH THE FRAME JAMBS AND HEAD; OR
METHOD 2: ANCHORING USING INSTALLATION CLIPS AT THE JAMB AND HEAD**

IMPORTANT NOTES:

NORTH STAR WINDOW AND PATIO DOOR PRODUCT MUST BE SECURED THROUGH THE FRAME OF THE UNIT YOU ORDERED OR USING THE EXTERIOR MOUNTED STEEL CLIPS.

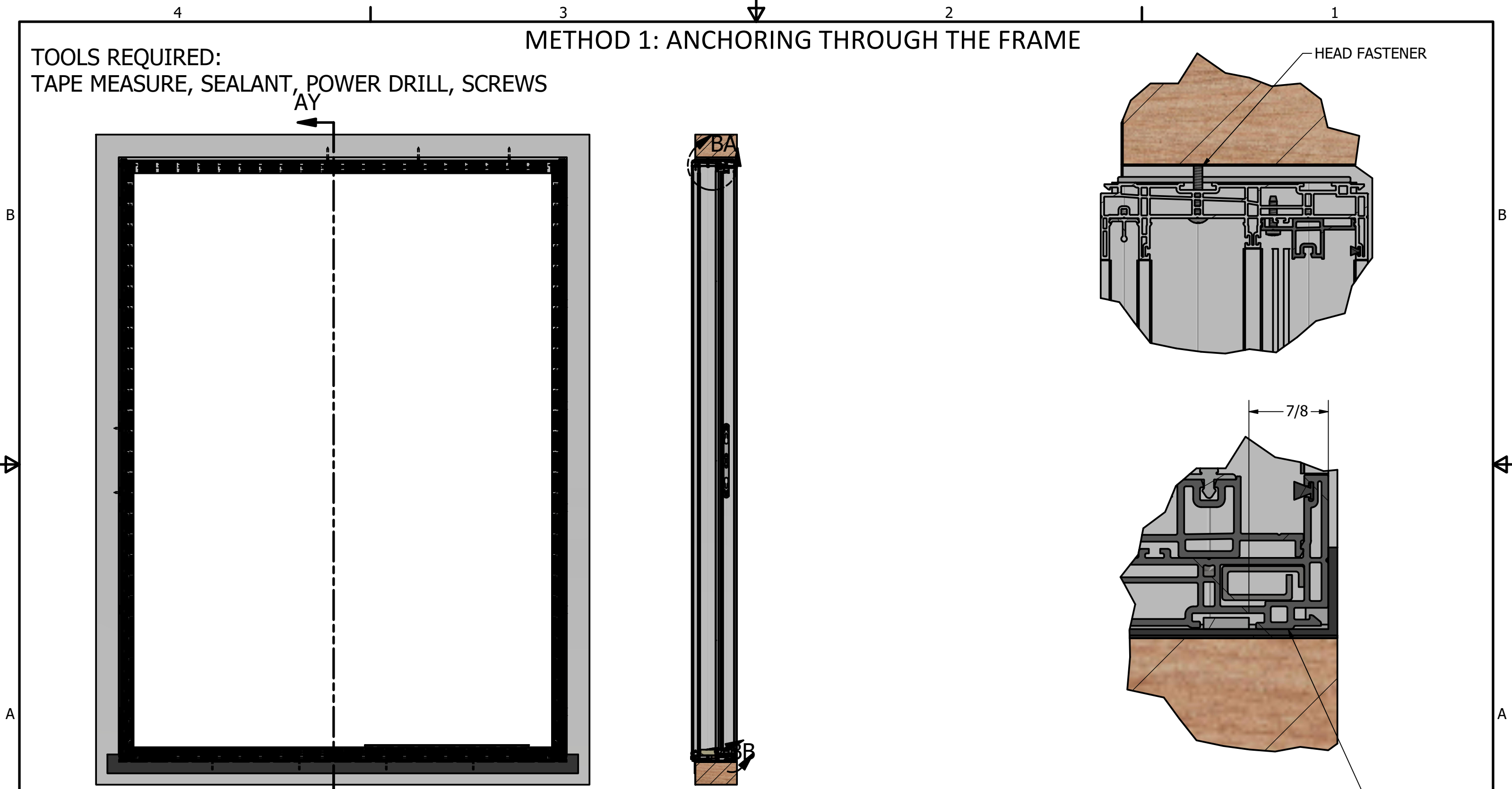
INSTALLATION THROUGH THE NAIL FIN ONLY IS NOT A FULL INSTALLATION. FAILURE TO PROPERLY INSTALL CAN RESULT IN WATER DAMAGE AND SEVER MOVEMENT OF THE UNIT OVER TIME AND WILL VOID WARRANTY.

DO NOT ANCHOR DOOR THROUGH THE JAMB EXTENSION

A

METHOD 1: ANCHORING THROUGH THE FRAME

TOOLS REQUIRED:
TAPE MEASURE, SEALANT, POWER DRILL, SCREWS



- 4.)
 A.) CENTER FRAME IN OPENING SO THERE IS EQUAL SPACE BETWEEN THE FRAME AND THE ROUGH OPENING.
 NOTE: ENSURE SILL ANCHOR IS SITTING IN THE PROPER CHANNEL
 B.) ANCHOR THE DOOR AT THE HEAD IN THE FIXED PANEL POCKET IN THE CENTER AND 6" AWAY FROM EACH CORNER USING APPROPRIATE SCREWS

TOOLS REQUIRED:
SHIMS, TAPE MEASURE, SEALANT, POWER
DRILL, SCREWS

METHOD 1: ANCHORING THROUGH THE FRAME

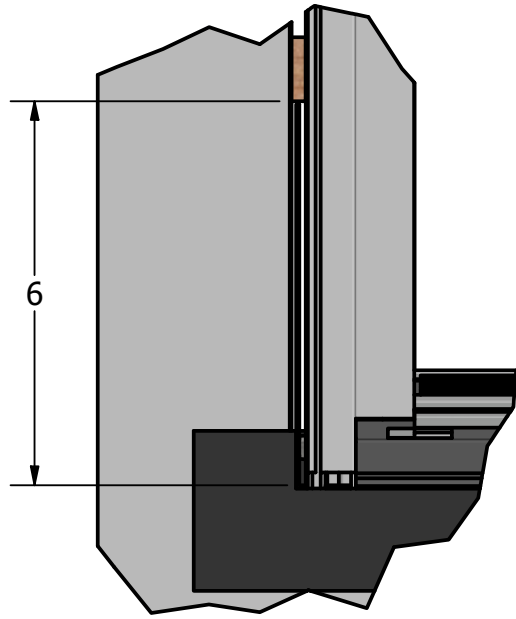
5.) SHIM SIDE JAMB FRAME MEMBERS 6" FROM TOP AND
BOTTOM.

6.) SHIM FIXED JAMB ASSEMBLY AND OPERATING JAMB
ASSEMBLY AT 16" INTERVALS .

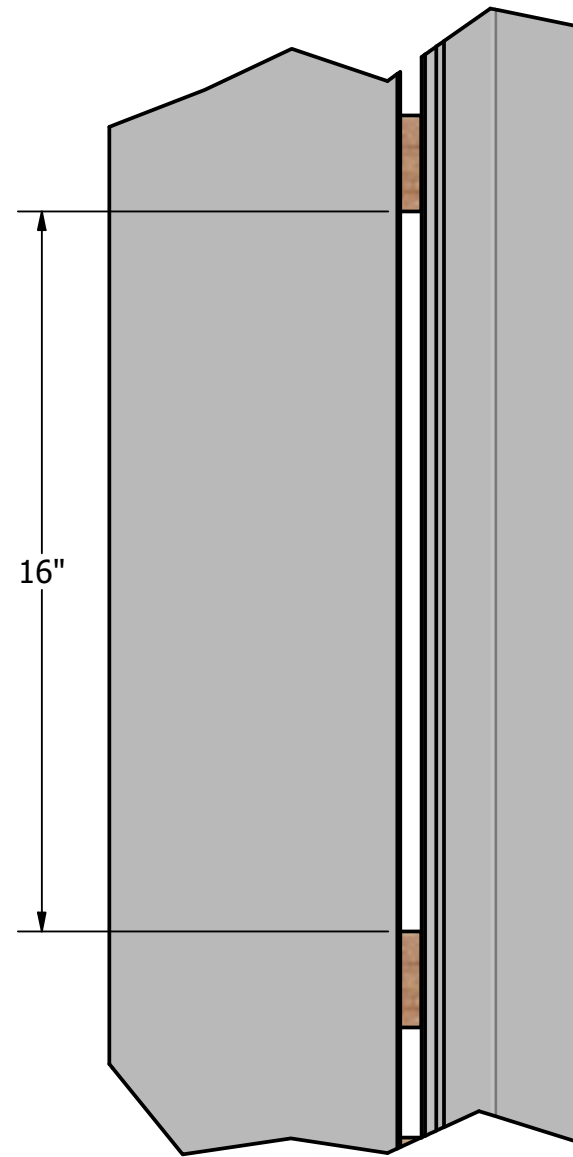
SHIMS SHOULD BE FIRM BUT NOT TIGHT ENOUGH TO
CAUSE THE JAMBS TO BOW. CHECK THAT THE FRAME IS
LEVEL, PLUMB, AND SQUARE; ADJUST SHIMS IF
NECESSARY.

NOTE: ADDITIONAL SHIMS ARE REQUIRED AT SINGLE
POINT AND MULTIPOINT KEEPER SCREW LOCATIONS. DO
NOT SHIM THE HEAD

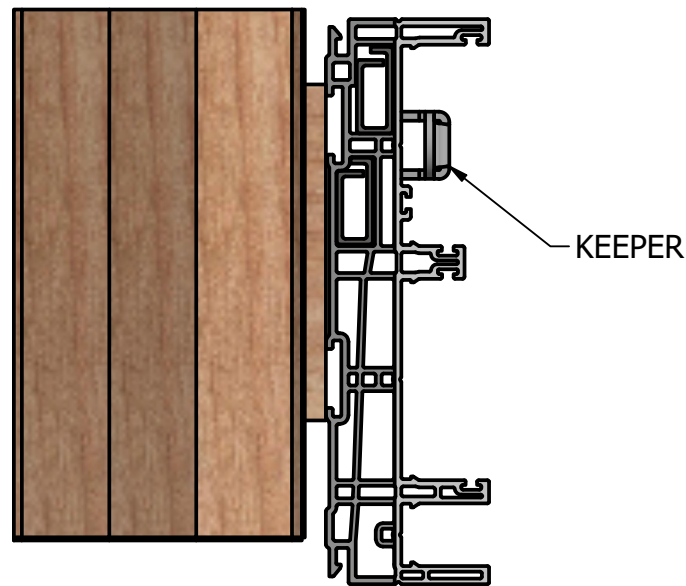
SHIM LOCATION FROM CORNER



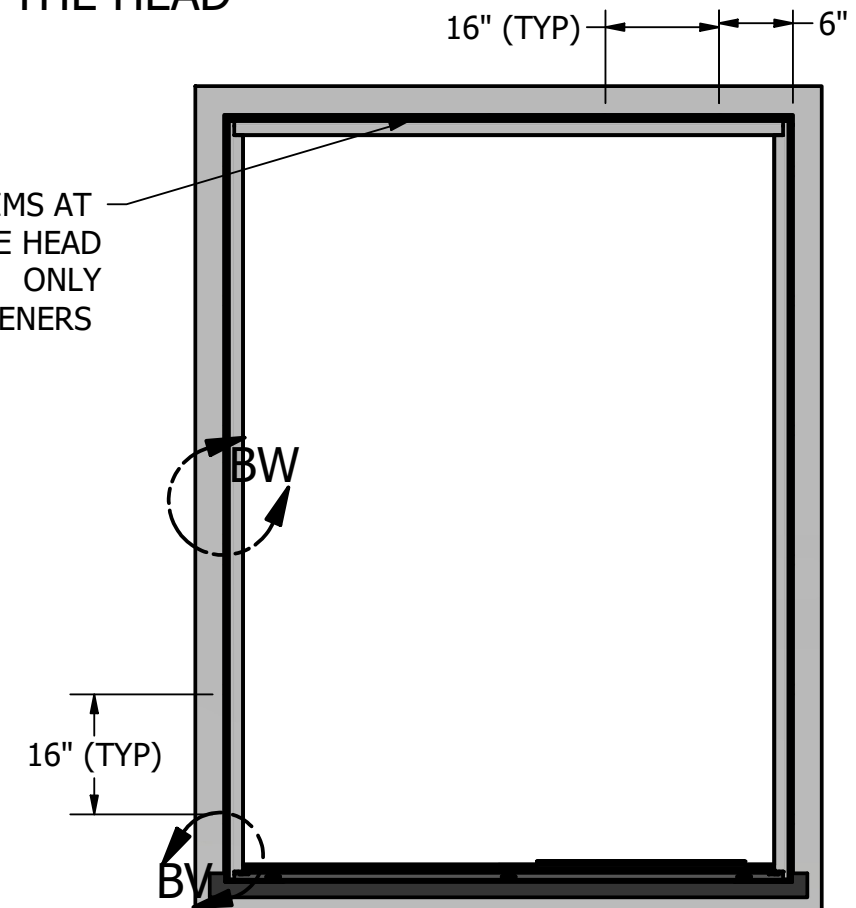
JAMB



KEEPER SHIM LOCATION



NO SHIMS AT
THE HEAD
ONLY
FASTENERS



4

3

2

1

TOOLS REQUIRED:
SHIMS, SEALANT, POWER DRILL,
SCREWS, LEVEL

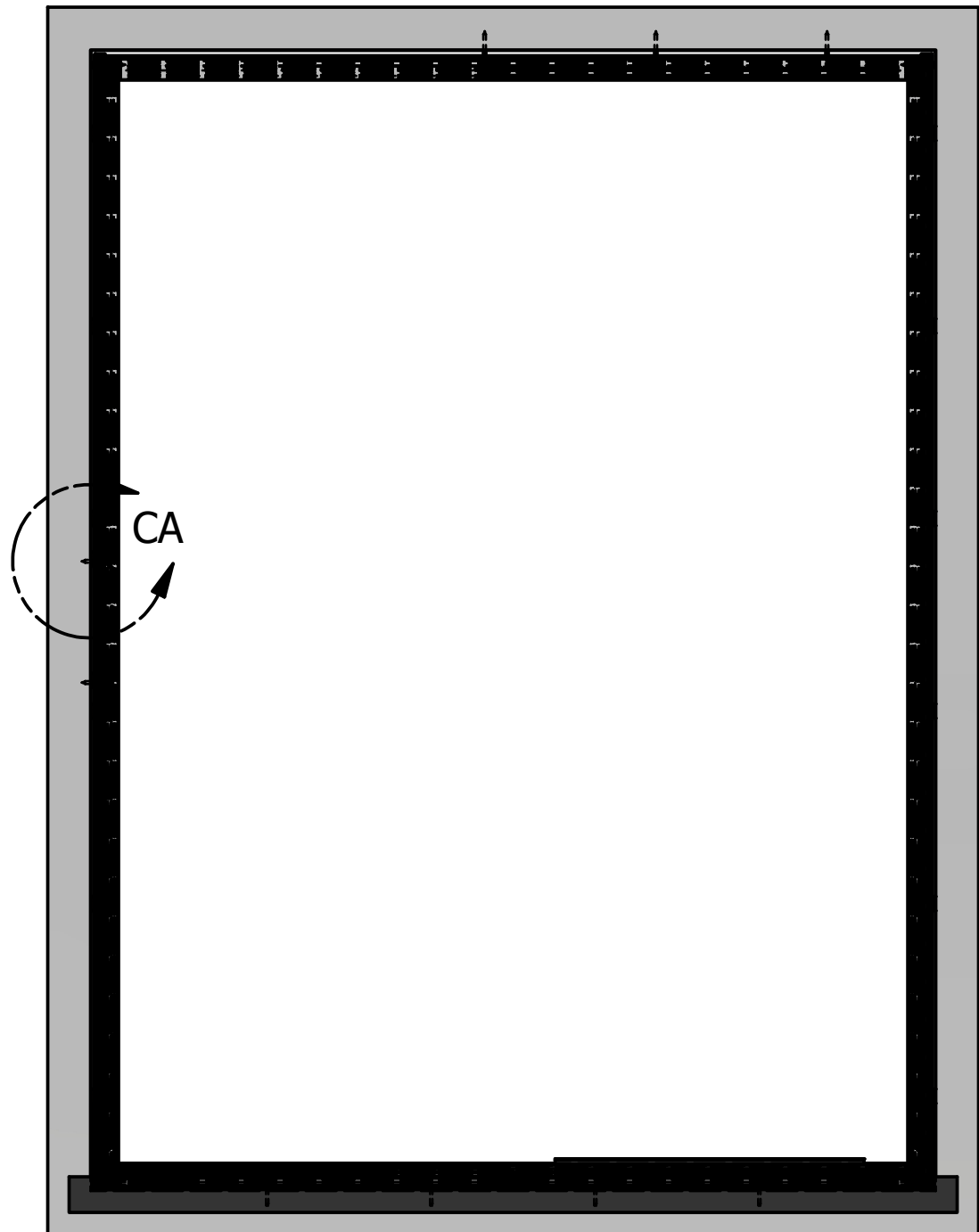
METHOD 1: ANCHORING THROUGH THE FRAME

NOTE: REMOVE POCKET COVERS AS NEEDED

7.) INSTALL SCREWS THROUGH THE FRAME WHERE POCKET COVERS WILL BE INSTALLED AT EACH SHIM LOCATION, BEING CAREFUL NOT TO BOW FRAME. USE #8 X 2-1/2" SCREWS. SCREW LENGTH IS DEPENDENT UPON FRAME STRUCTURE; SCREW LENGTH MUST BE OF SUFFICIENT LENGTH TO SECURE UNIT IN OPENING (MINIMUM OF 1" PENETRATION THROUGH THE JAMB IS REQUIRED)

B

B



A

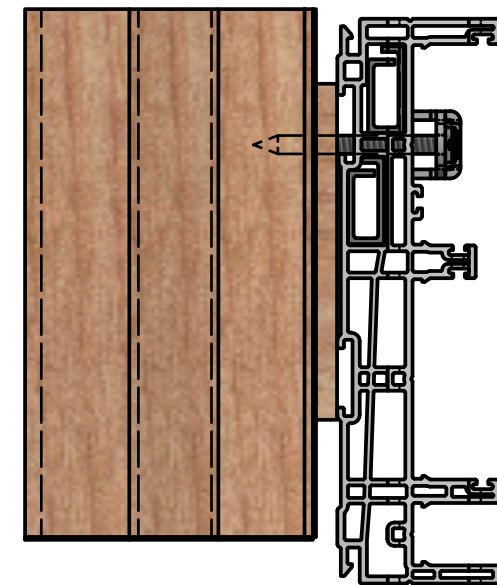
A

4

3

2

1



8.) INSTALL SCREWS THROUGH THE HEAD JAMB INTO THROUGH OPENING AT 16" INTERVALS

9.) REMOVE KEEPER SCREWS AND REPLACE THEM WITH SUPPLIED SCREWS. SCREWS SHOULD RUN THROUGH THE INSTALLED SHIMS INTO THE ROUGH OPENING. IMPORTANT: WHEN ANCHORING UNIT THROUGH JAMB, SEAL SCREW HEADS WITH SILICONE.

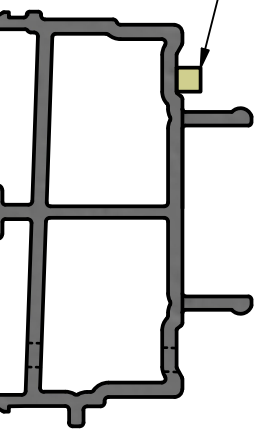
TOOL REQUIRED:
SEALANT

10.) APPLY SEALANT TO THE SUPPORT BLOCK AS SHOWN IN THE DIAGRAM,
DO NOT BLOCK DRAIN HOLES.

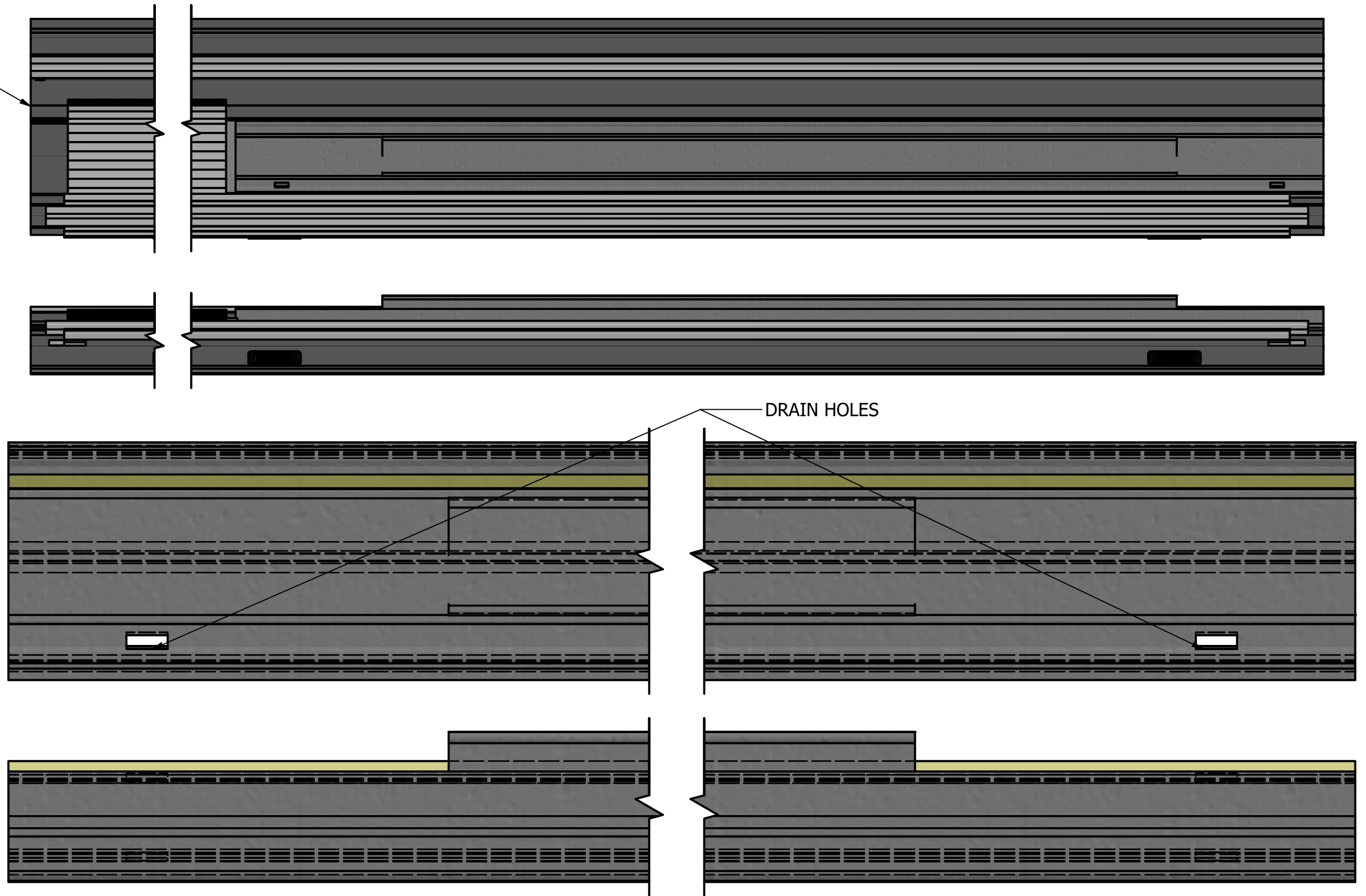
SILL ASSEMBLY

INTERIOR

SEALANT



DRAIN HOLES

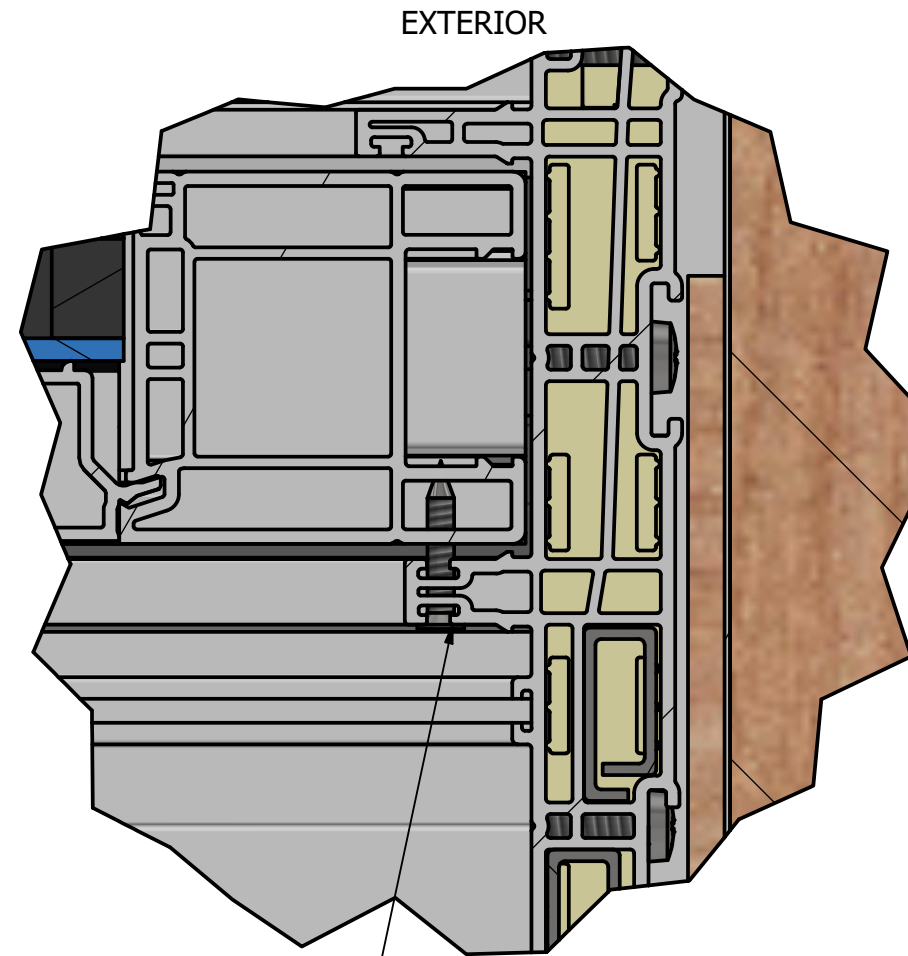
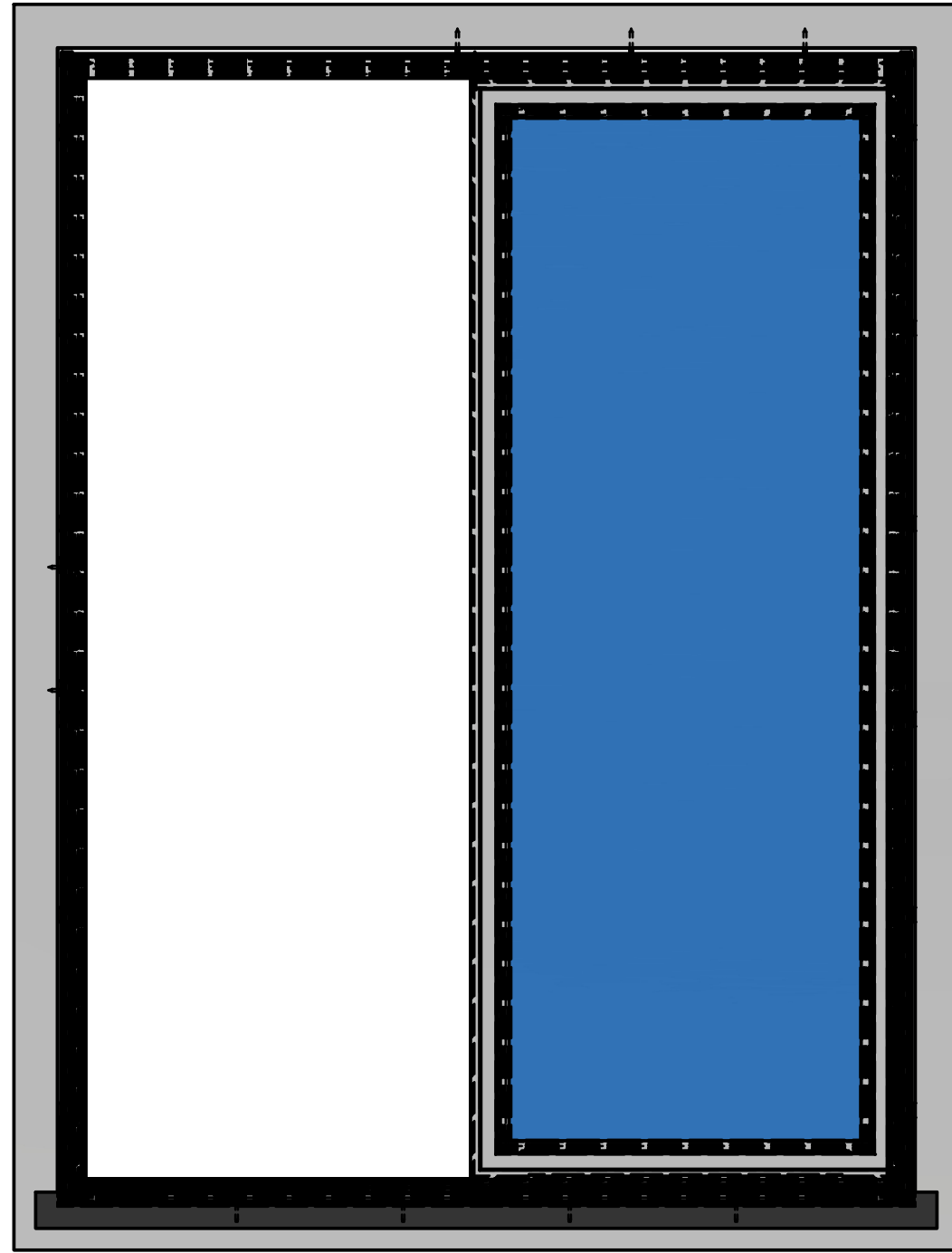


TOOL REQUIRED:
POWER DRILL, SASH
SCREWS

11.) SLIDE THE FIXED SASH OVER THE SLOPPED SILL COVER AND OVER THE SUPPORT BLOCK INTO THE FIXED JAMB ASSEMBLY POCKET

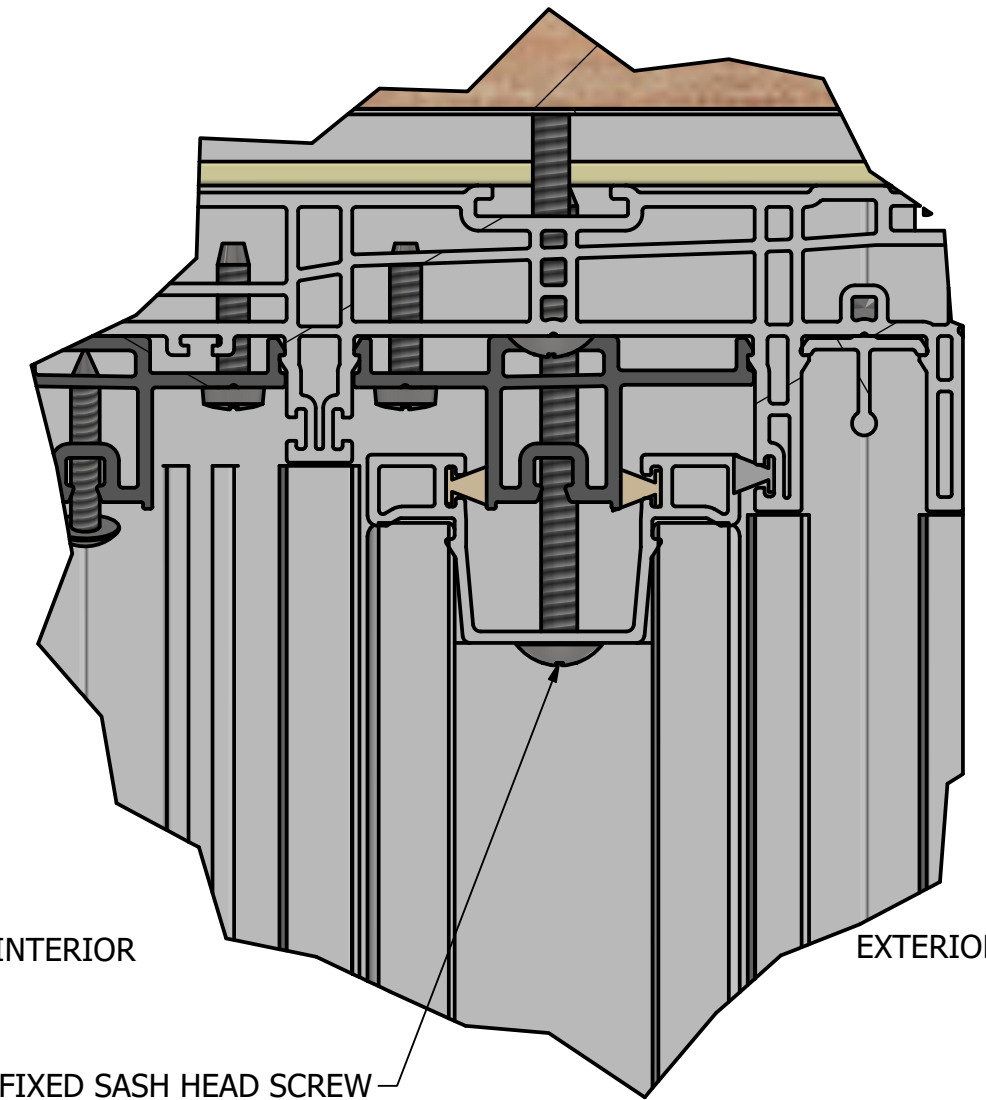
12.) ANCHOR THE SASH TO THE FIXED JAMB ASSEMBLY USING #6 x 3/4" FH SCREWS PROVIDED THROUGH THE OPERATING CHANNEL ON THE FIXED JAMB ASSEMBLY

13.) ANCHOR THE HEAD THROUGH THE W/S ADAPTER USING SCREW PROVIDED



FIXED SASH
JAMB SCREW
#6 x 3/4" FH

INTERIOR



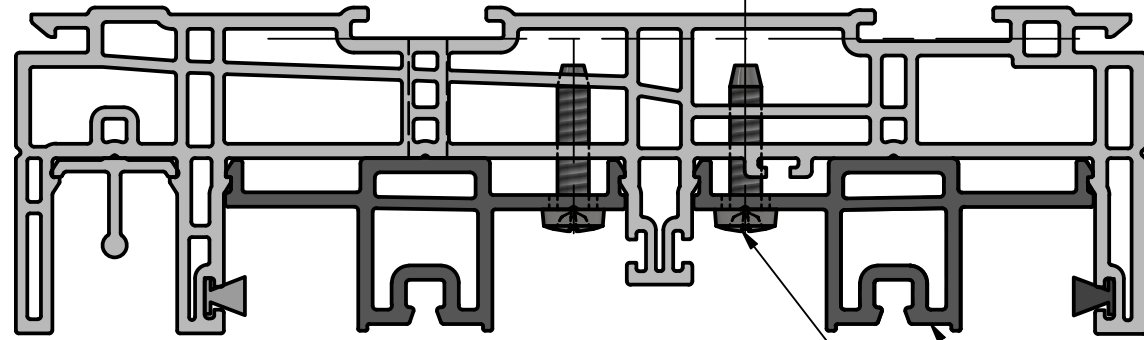
INTERIOR

EXTERIOR

FIXED SASH HEAD SCREW
(#10 x 2" Pan Head Zinc)

TOOL REQUIRED:
PRY BAR, POWER DRILL, 1/2"X 16" WOOD BLOCK, MALLET

HEAD
ASSEMBLY



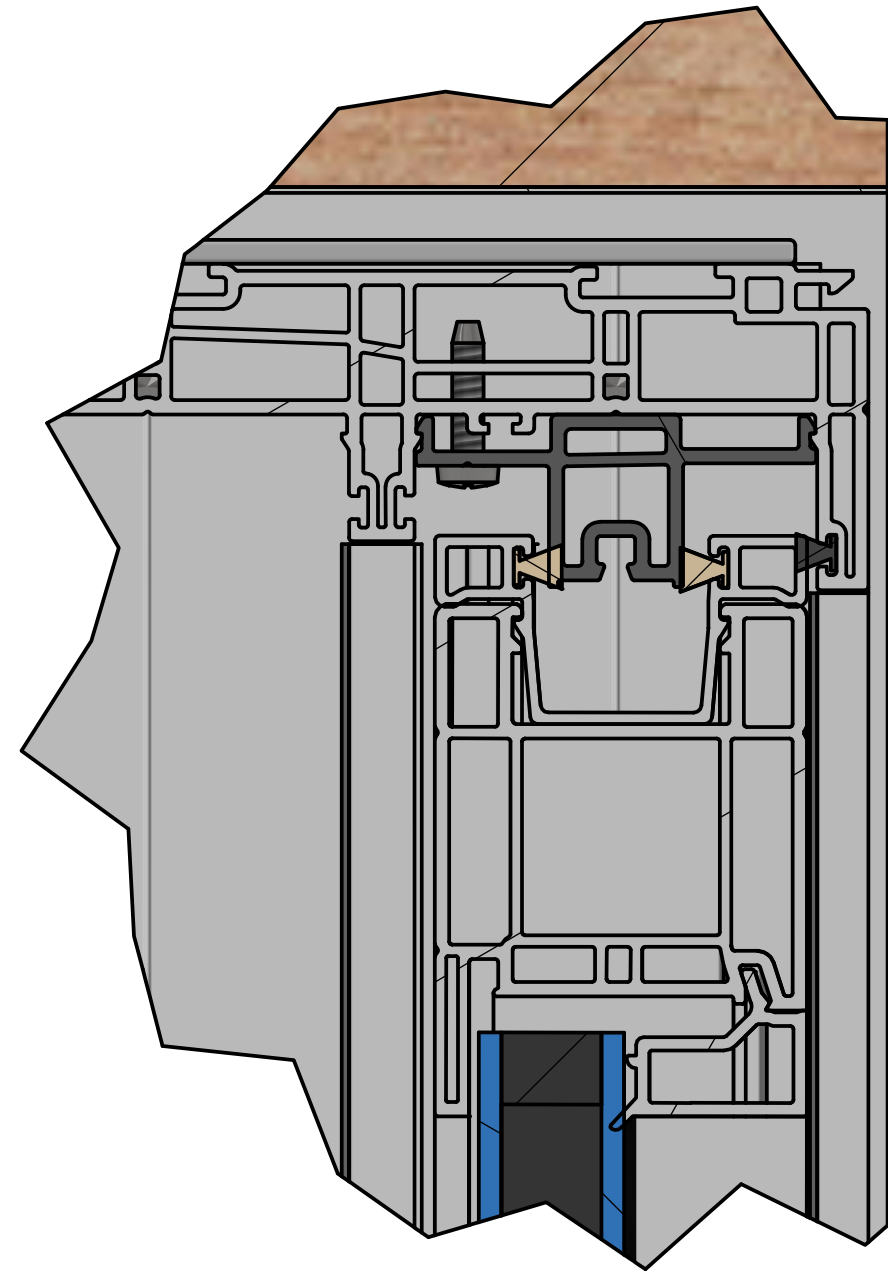
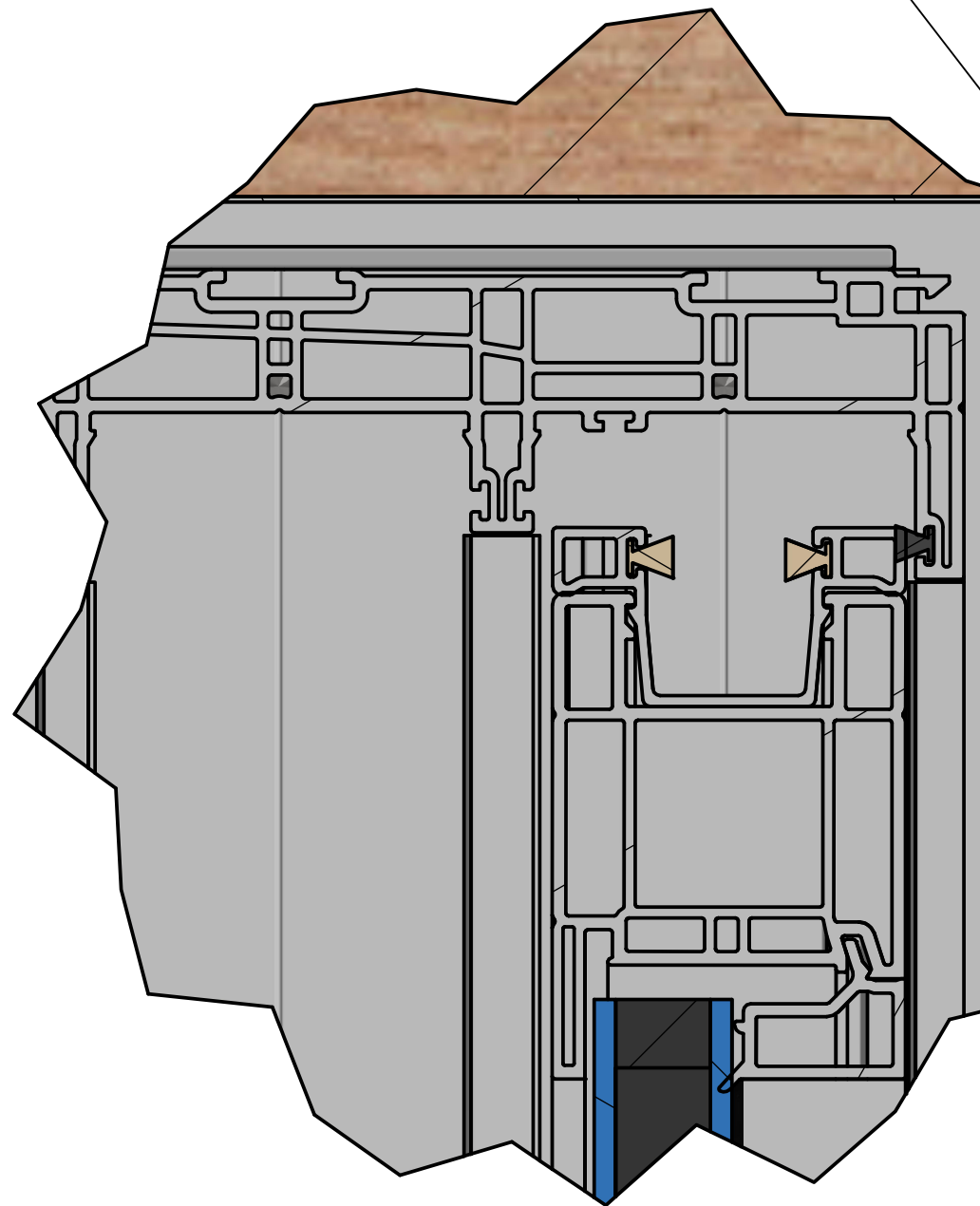
REMOVABLE TRACK

DO NOT THROW

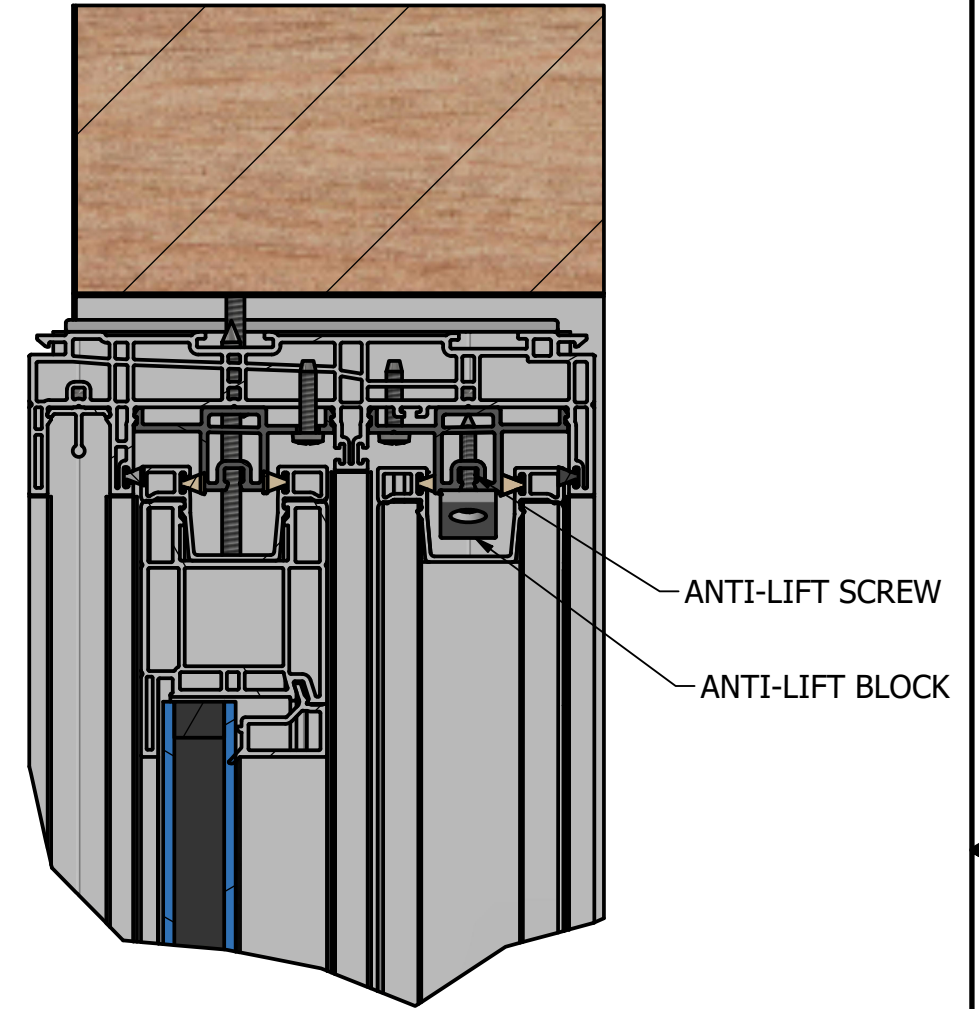
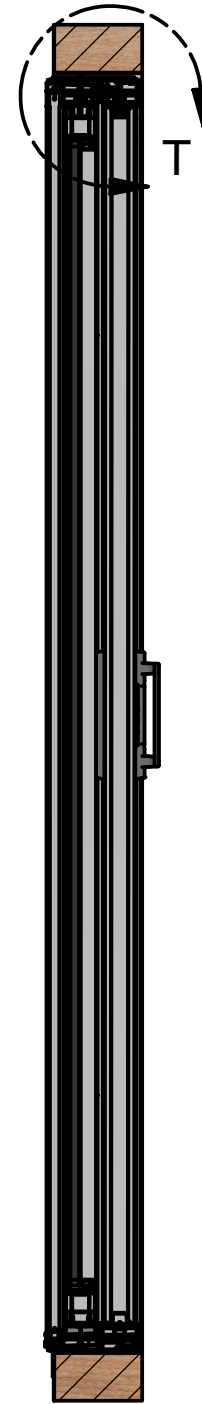
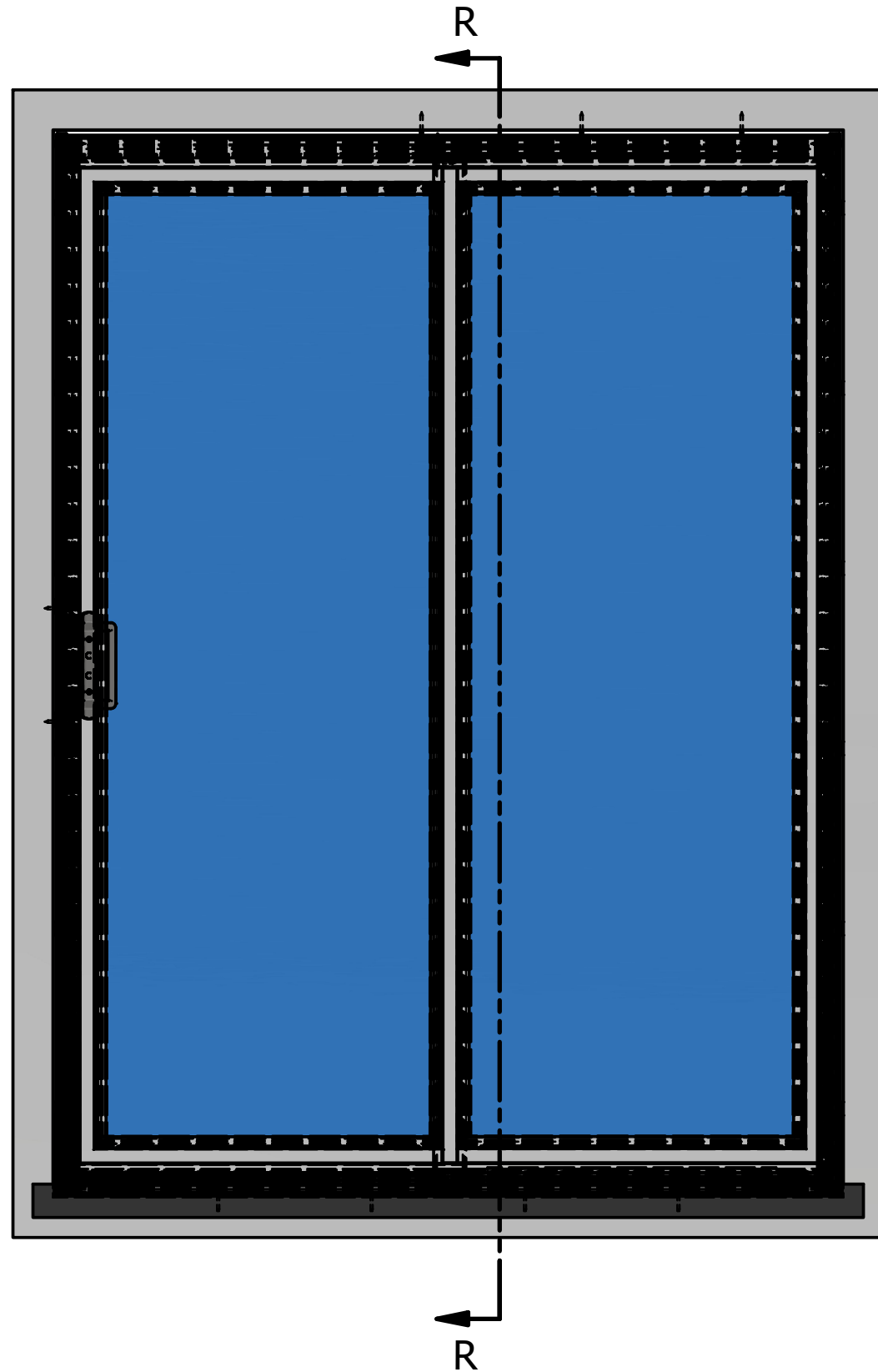
14.) REMOVE THE HEAD TRACKS IN THE OPERATING CHANNEL (DO NOT DISCARD THE SCREWS)

15.) SLIDE THE OPERATING PANEL FROM THE INTERIOR INTO THE FRAME CHANNEL. ENSURE ROLLERS ARE CONTACTING SILL TRACK

16.) RE-INSERT THE HEAD TRACK INTO THE HEAD CHANNEL AND SCREW THEM IN. SLIDE THE SASH AS REQUIRED TO FASTEN THE SCREWS BACK



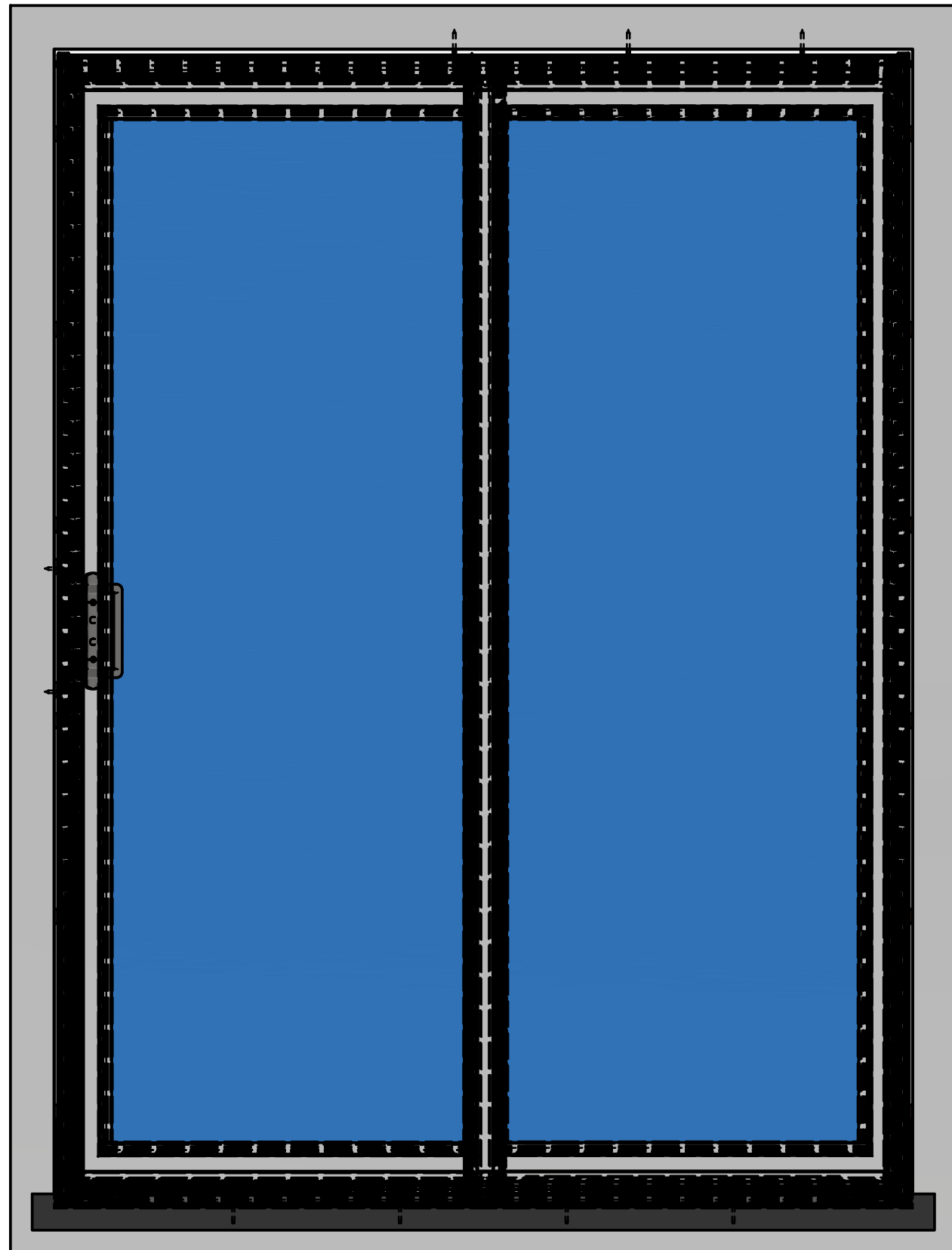
TOOLS REQUIRED:
POWER DRILL, ANTI-LIFT BLOCK SCREW



DETAIL T
SCALE 1 / 2

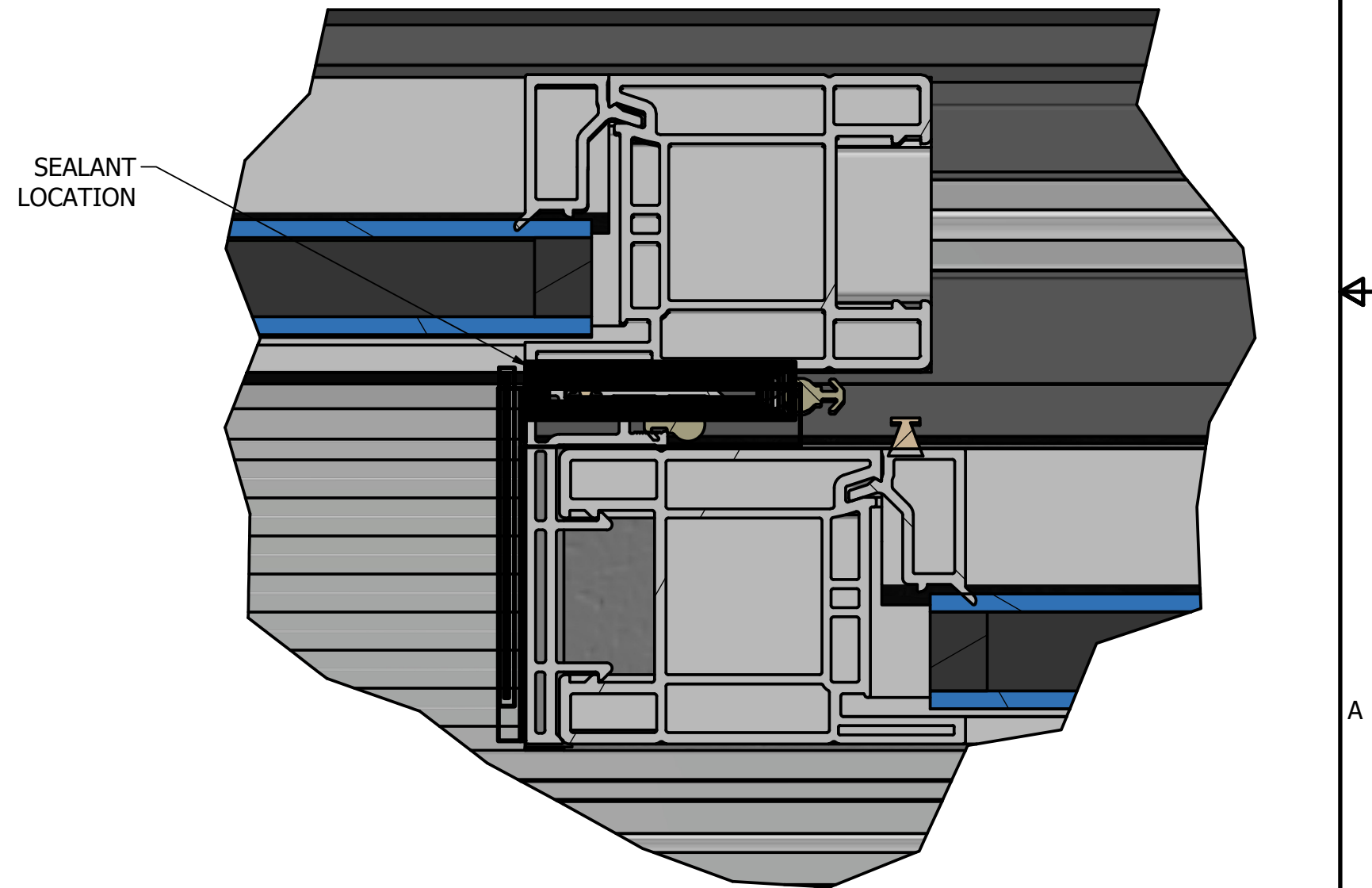
17.) INSTALL ANTI-LIFT BLOCK.
THE BLOCK SHOULD BE FLUSH WITH THE SASH END
IN LOCKED POSITION.
THIS WILL ENSURE THAT THE INTERLOCK DOES NOT
INTERFERE IN THE OPERATION

TOOLS REQUIRED:
SEALANT

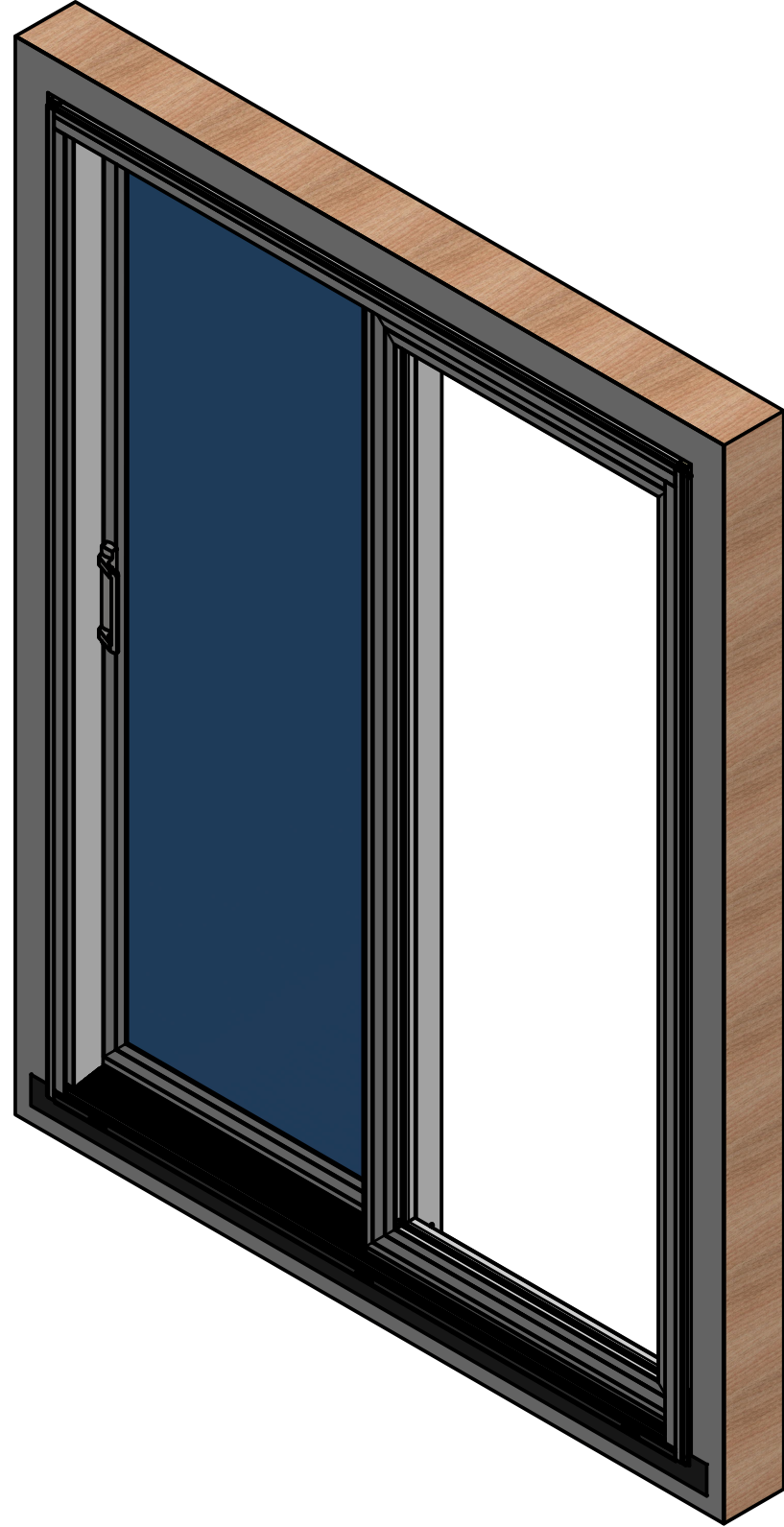


18.) SLIDE OPERATING PANEL INTO A CLOSED POSITION AND
INSTALL FIXED SASH INTERLOCK.
SEAL THE BOTTOM OF THE INTERLOCK TO THE SILL TOWER
WITH HIGH QUALITY SEALANT

INSTALL FIXED JAMB POCKET COVER

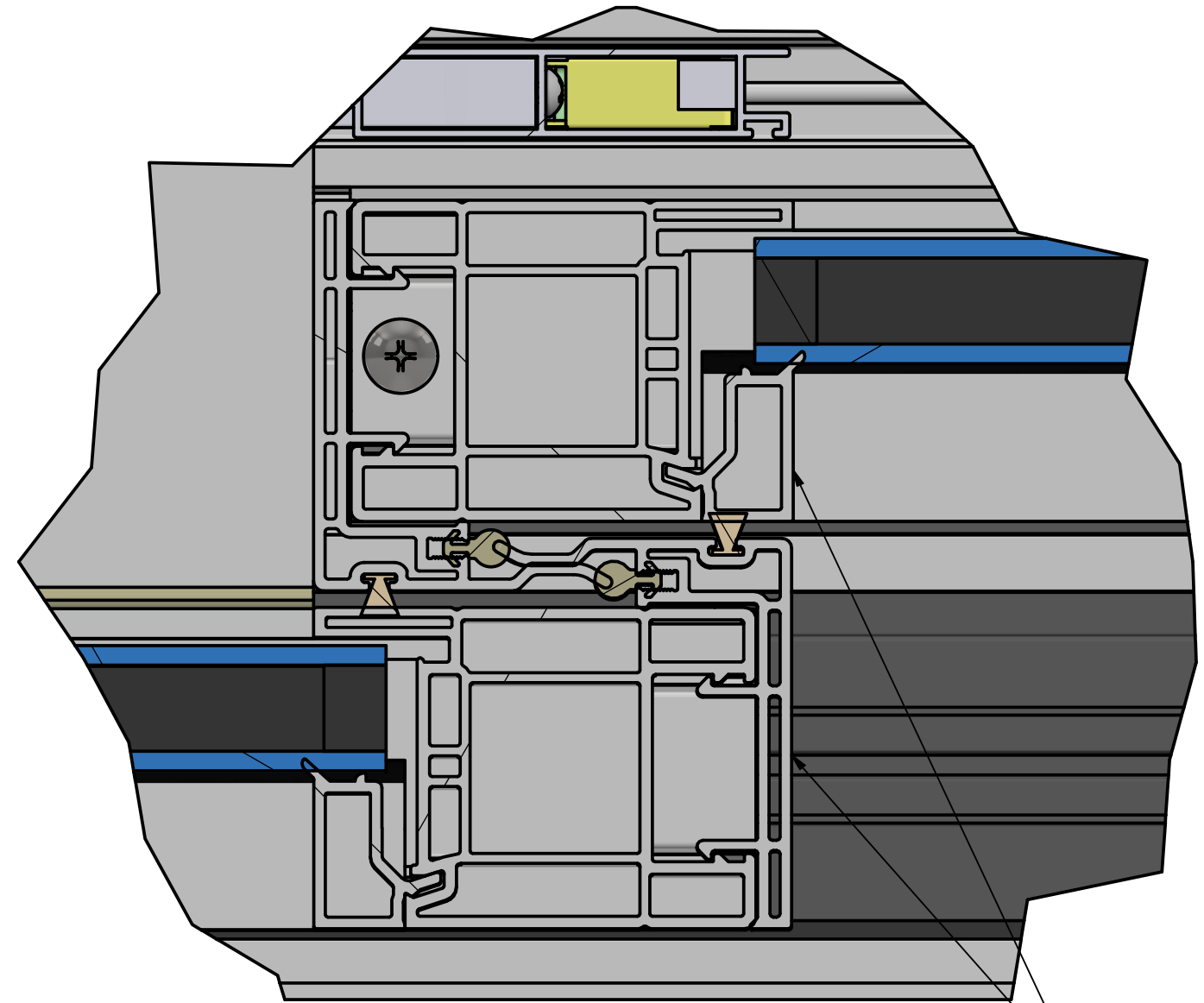


TOOLS REQUIRED:
MALLET



- 19.) INSTALL OPERATING SASH INTERLOCK
- 20.) INSTALL OPERATING JAMB POCKET COVERS

CHECK ALIGNMENT BETWEEN THE TWO SASHES INTERLOCK SHOULD BE FLUSH WITH GLASS STOP AS SHOWN BELOW

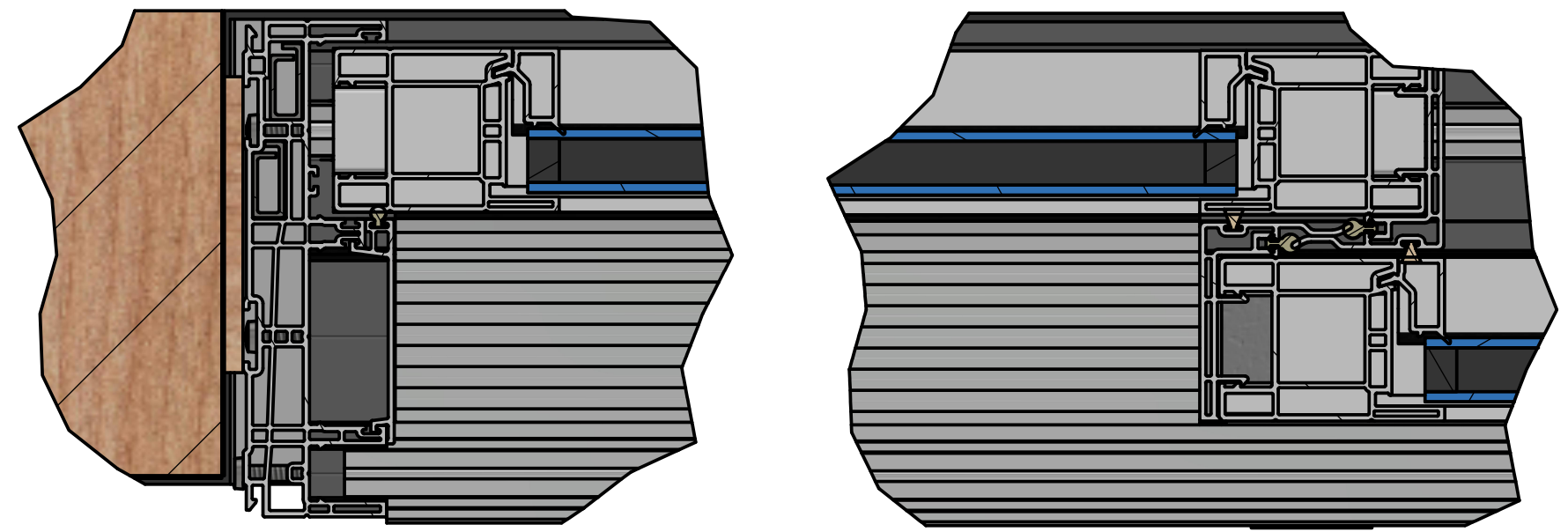
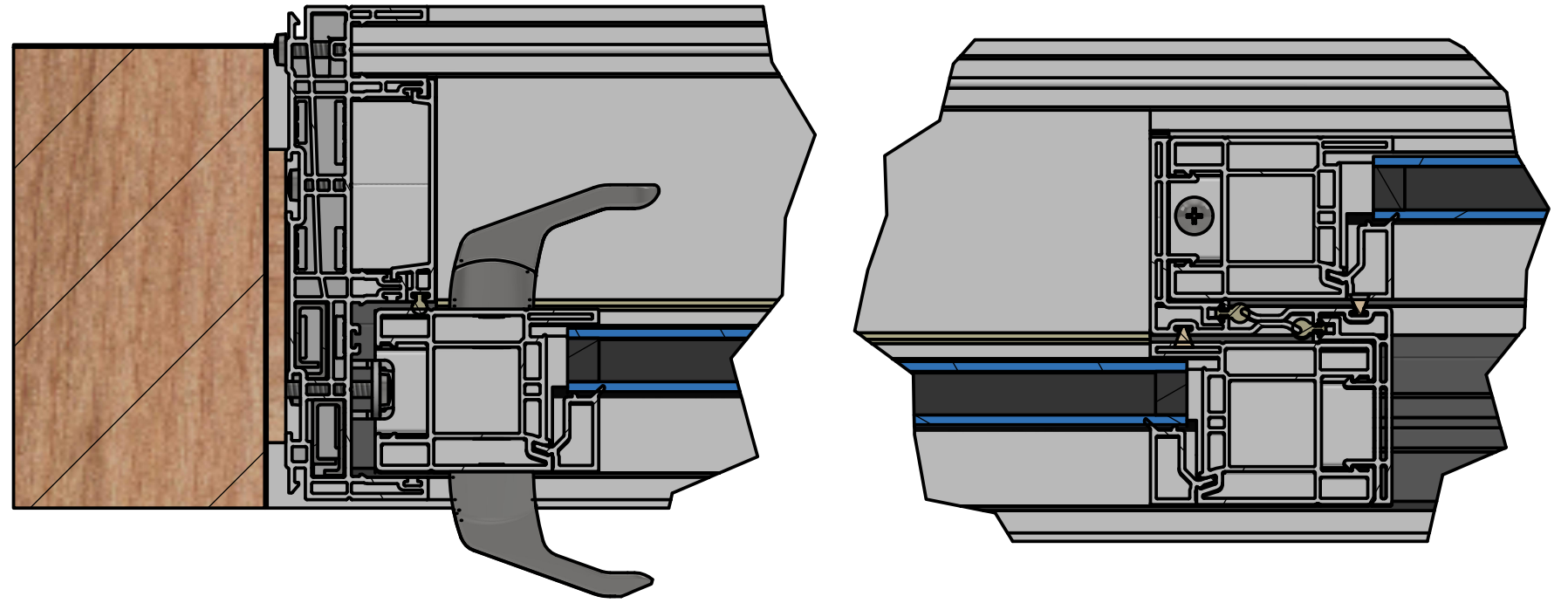
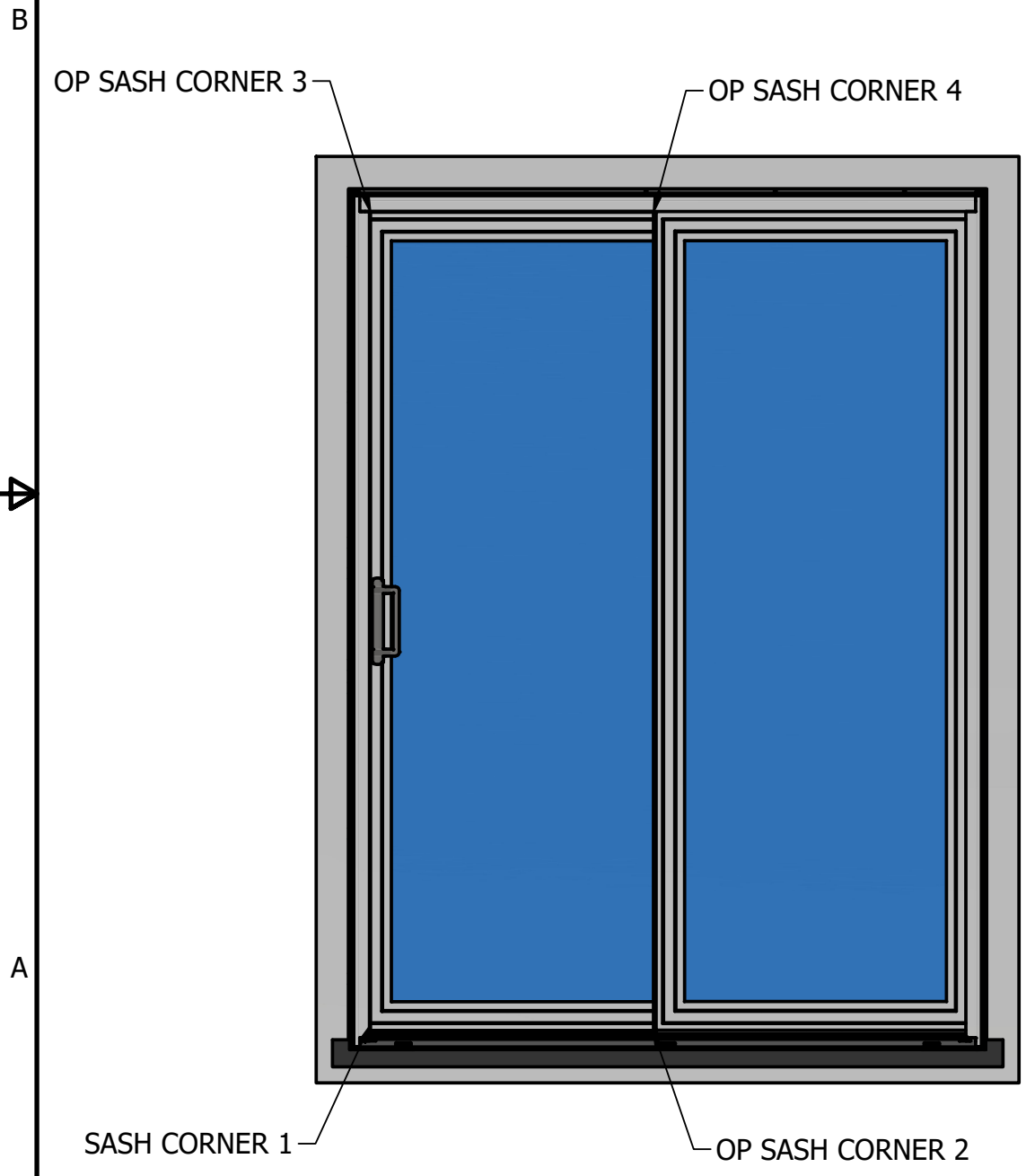


DETAIL BD
SCALE 1 : 1

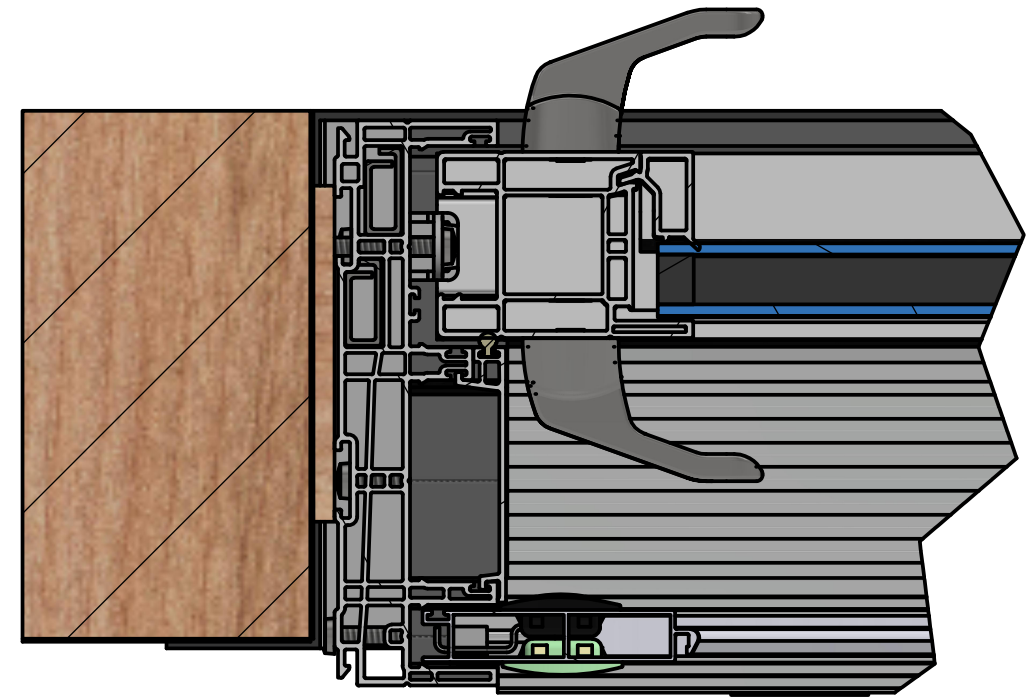
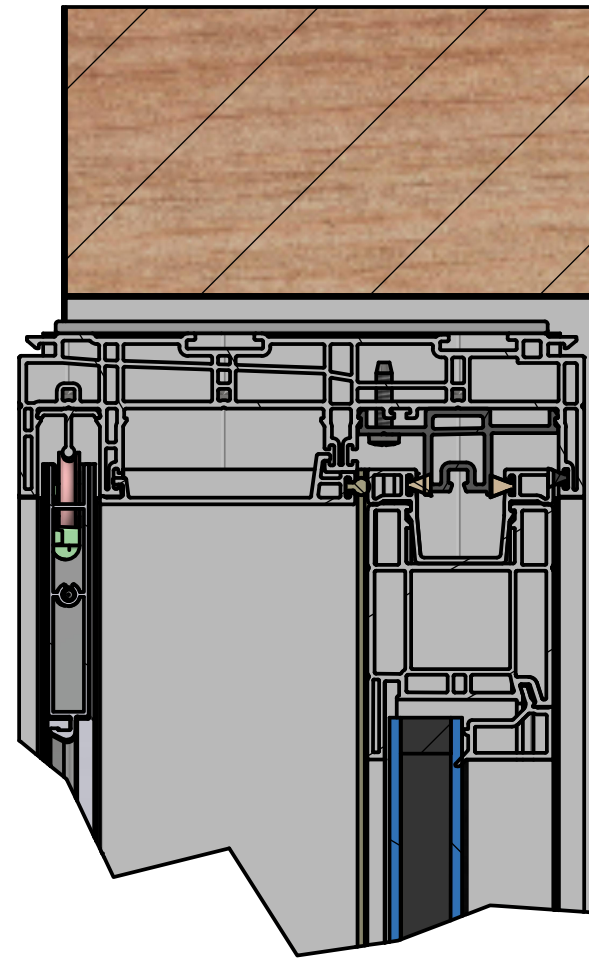
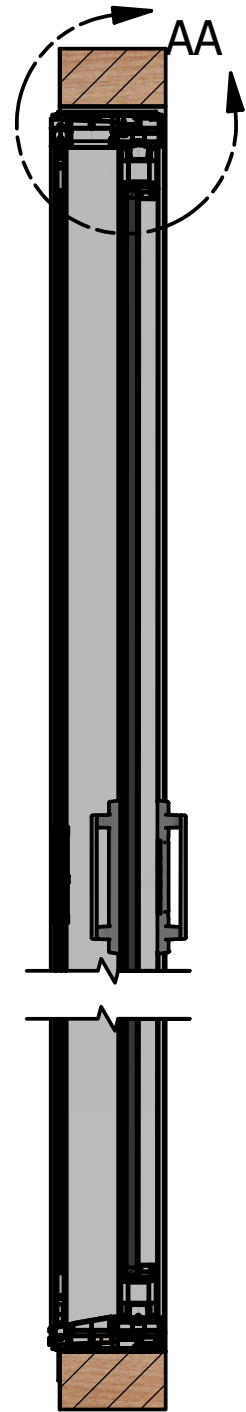
FLUSH

TOOLS REQUIRED:
MALLET, SILICONE

21.) INSTALL HEAD JAMB POCKET COVER AND SEAL EACH END
22.) FROM THE EXTERIOR SEAL THE POCKET COVER TO THE SLOPPED SILL COVER ENDS



TOOLS REQUIRED:
BACKER ROD, SPRAY FOAM INSULATION
UTILITY KNIFE



23.) FROM THE EXTERIOR INSTALL BACKER RODS AROUND THE DOOR JAMBS AND HEAD. USE THE APPROPRIATE SIZE ENSURING AT LEAST 25% BACKER ROD COMPRESSION.

24.) INSULATE BETWEEN THE DOOR FRAME AND THE ROUGH OPENING, ENSURING ALL VOIDS ARE FILLED. CAUTION MUST BE EXERCISED NOT TO OVER PACK THE INSULATION CAUSING UNIT FRAME TO DISTORT.

25.) SEAL AND TRIM DOOR INSIDE AND OUT TO SUIT APPLICATION.

4

3

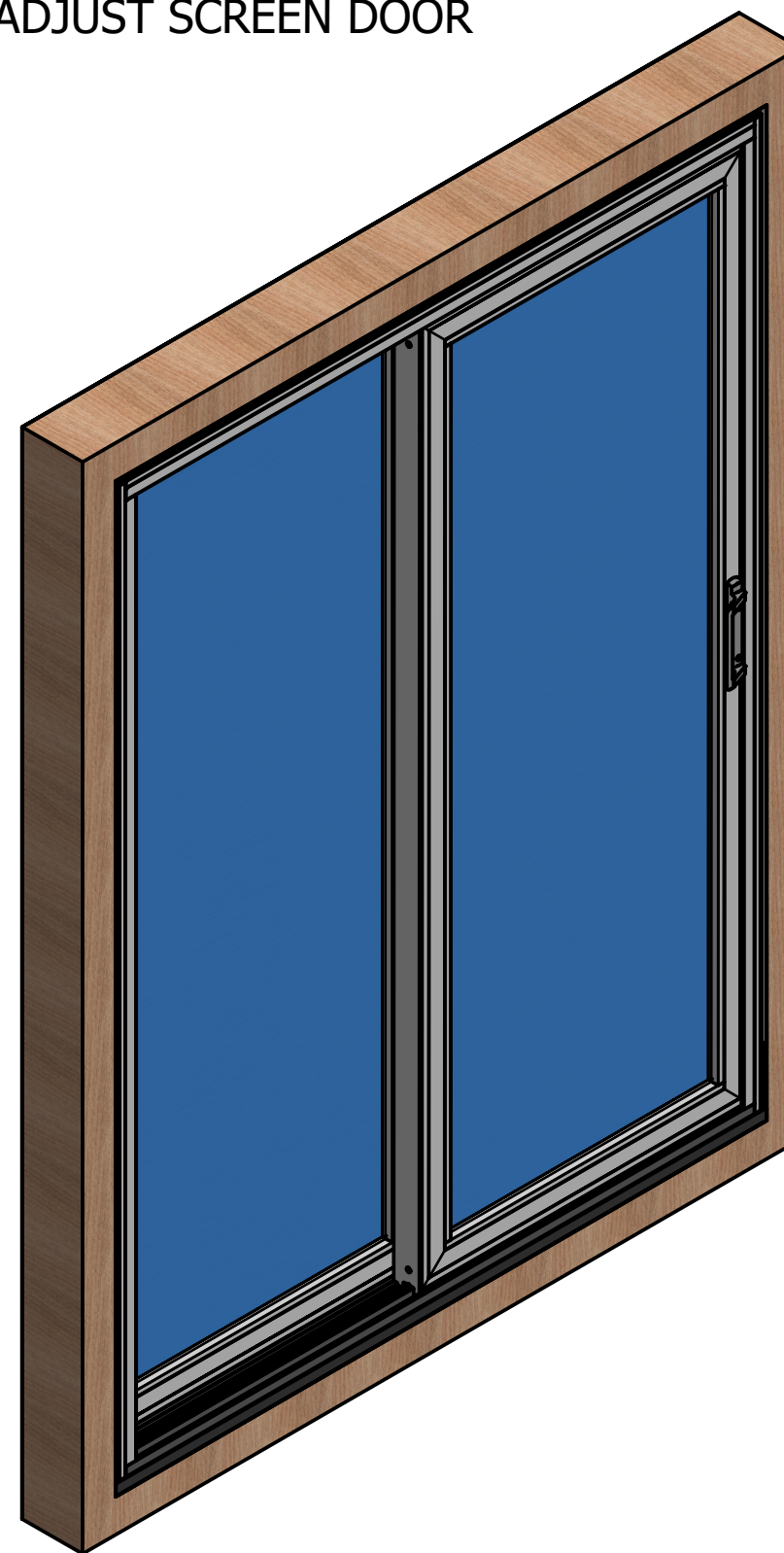
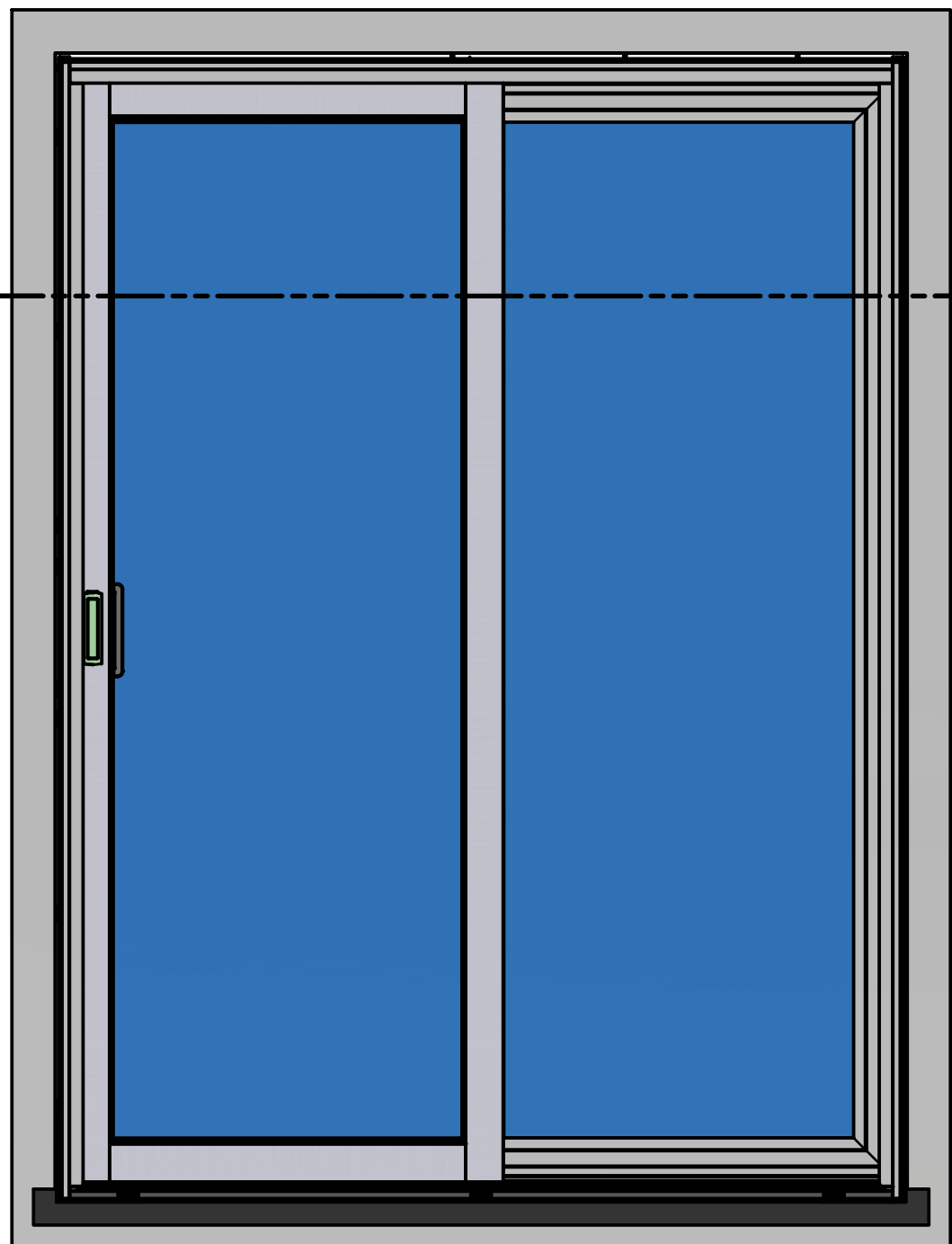
2

1



SECTION AL-AL
SCALE 1 / 12

26.)INSTALL AND ADJUST SCREEN DOOR



4

3

2

1

B

B

A

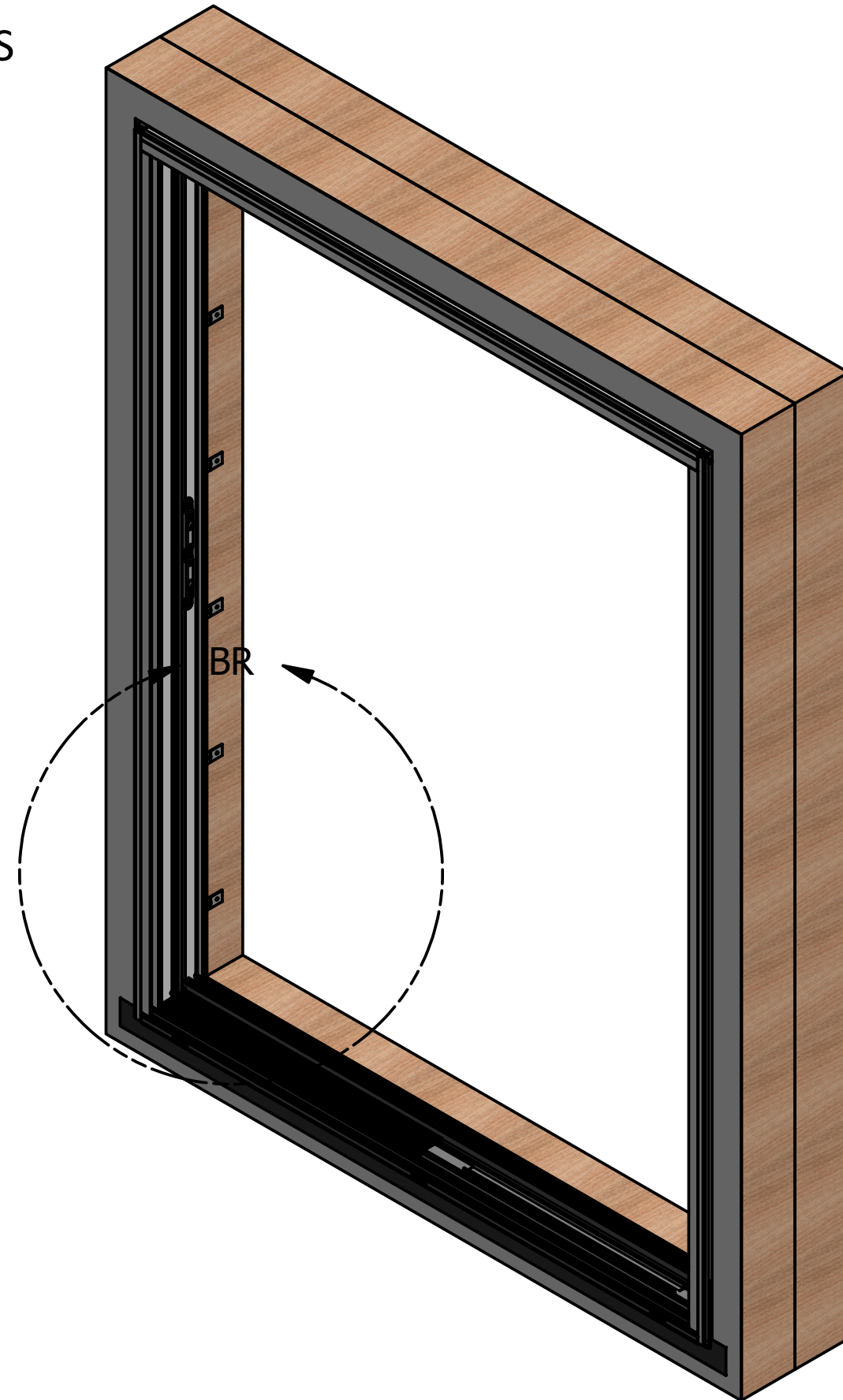
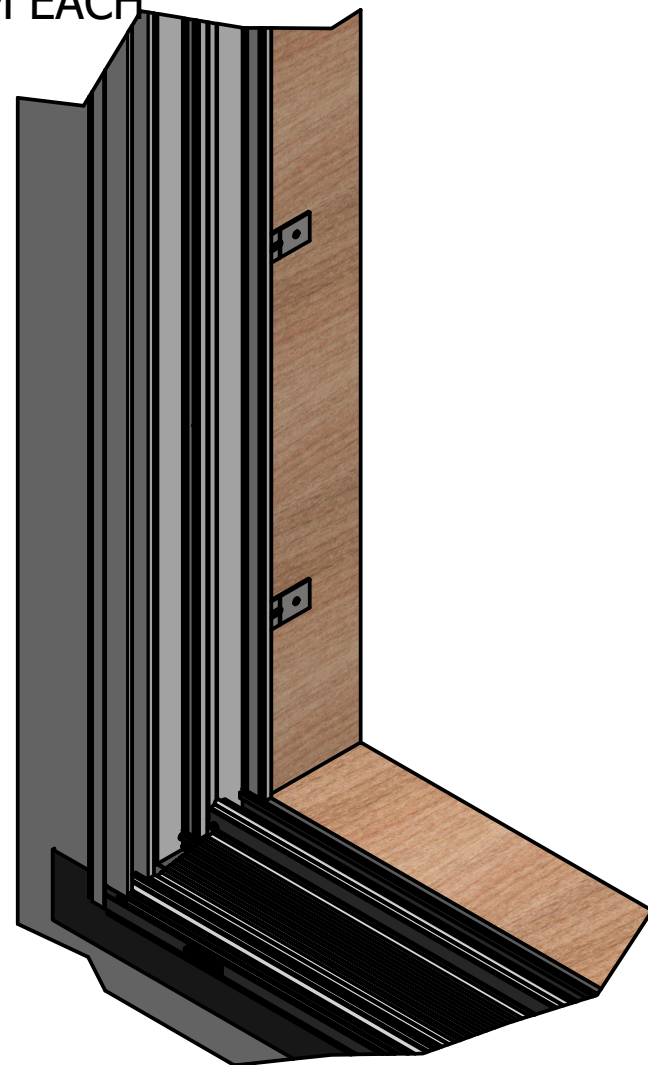
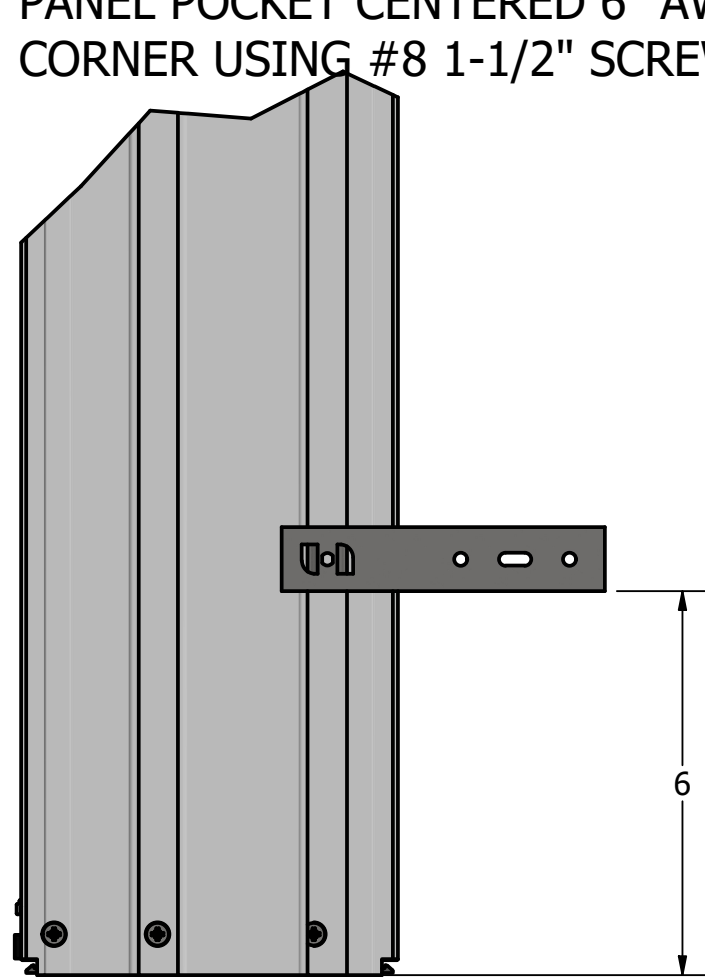
A

METHOD 2: USING INSTALLATION CLIPS

5.)
A) PLACE THE GALVANIZED STEEL ANCHOR CLIPS 6" IN FROM EACH CORNER AND THEN AT APPROXIMATELY 16" INTERVALS AT THE JAMBS AND AT THE HEAD

B.) CENTER THE FRAME IN OPENING SO THERE IS EQUAL SPACE BETWEEN THE FRAME AND THE ROUGH OPENING.
NOTE: ENSURE SILL ANCHOR IS SITTING IN THE PROPER LOCATION.

C.) ANCHOR THE DOOR AT THE HEAD IN THE FIXED PANEL POCKET CENTERED 6" AWAY FROM EACH CORNER USING #8 1-1/2" SCREWS



Method 2: using the installation clips

Tool Required:

Shims, Tape Measure, Sealant,
Power Drill, Screws

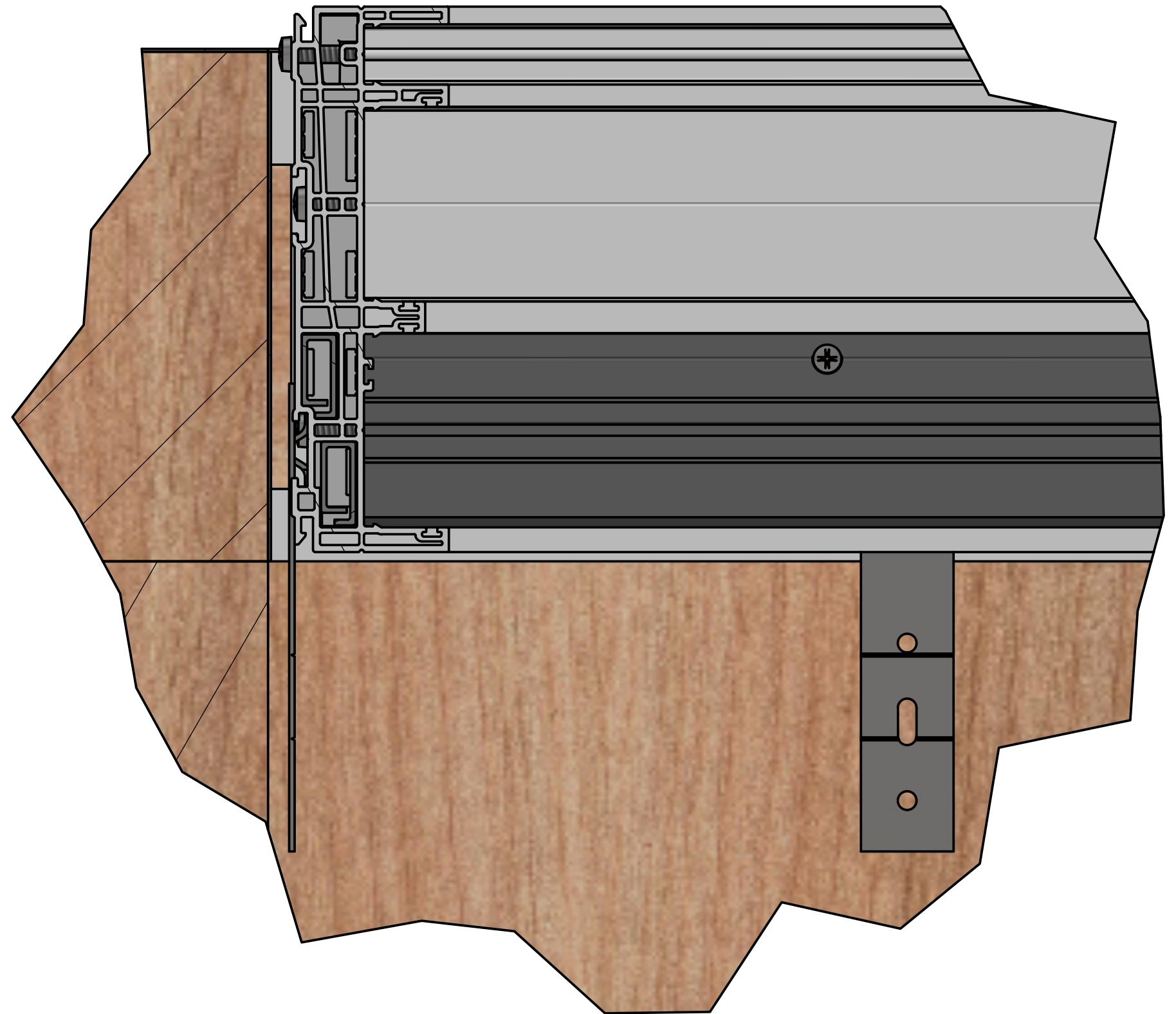
6.) SHIM SIDE JAMB BEHIND EACH CLIP LOCATION; SHIMS SHOULD BE FIRM BUT NOT TIGHT ENOUGH TO CAUSE THE JAMBS TO BOW. CHECK THAT THE FRAME IS LEVEL, PLUMB, AND SQUARE; ADJUST SHIMS IF NECESSARY.

NOTE: ADDITIONAL SHIMS ARE REQUIRED AT SINGLE POINT AND MULTIPOINT KEEPER SCREW LOCATIONS.

DO NOT SHIM THE HEAD

7.) INSTALL SCREWS THROUGH THE HOLES ON THE INSTALLATION CLIPS AT EACH SHIM/ CLIP LOCATION LOCATION BEING CAREFUL NOT TO BOW FRAME. SUGGEST USING #8 X 1-1/2" SCREWS. SCREW LENGTH IS DEPENDENT UPON FRAME STRUCTURE, SCREW LENGTH MUST BE OF SUFFICIENT LENGTH TO SECURELY ANCHOR UNIT IN OPENING. (MINIMUM OF 1" PENETRATION THROUGH THE JAMB IS REQUIRED)

8.) REMOVE KEEPER SCREWS AND REPLACE THEM WITH SUPPLIED SCREWS. SCREWS SHOULD RUN THROUGH THE INSTALLED SHIMS INTO THE ROUGH OPENING. IMPORTANT: WHEN ANCHORING UNIT THROUGH JAMB, SEAL SCREW HEADS WITH SILICONE.



4

3

2

1



B

B

OPERATING PANEL INSTALLATION



A

A

4

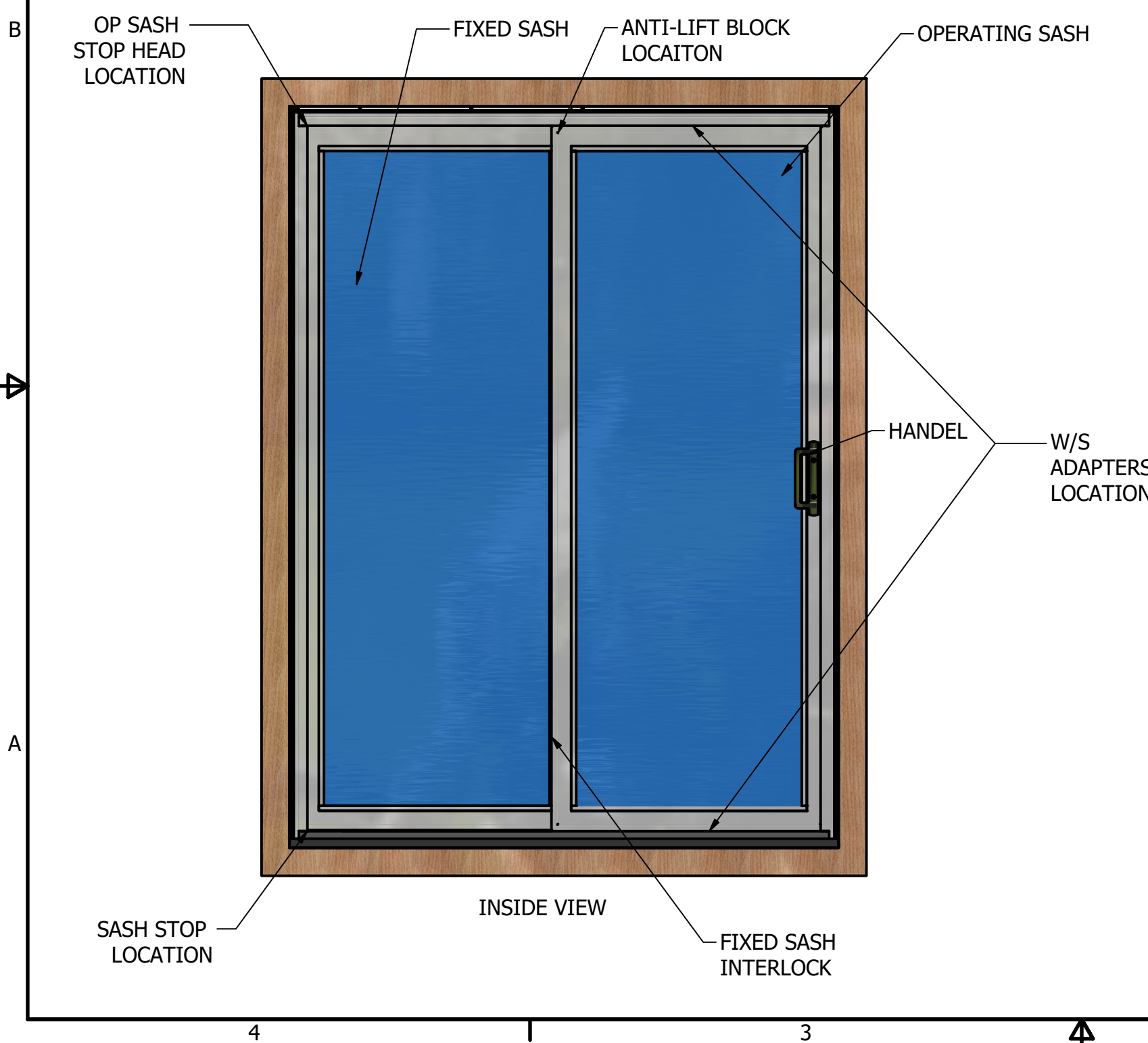
3

2

1



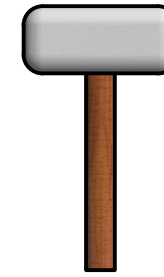
COMFORT STAR PATIO DOOR OPERATING SASH INSTALL



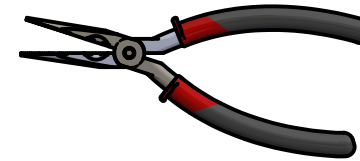
TOOLS:



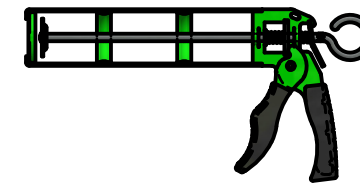
PRY BAR



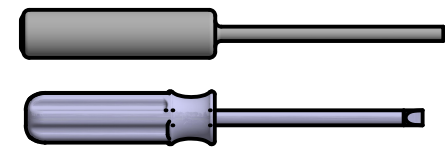
MALLET



NEEDLE NOSE PLIERS



SEALANT & SILICON GUN

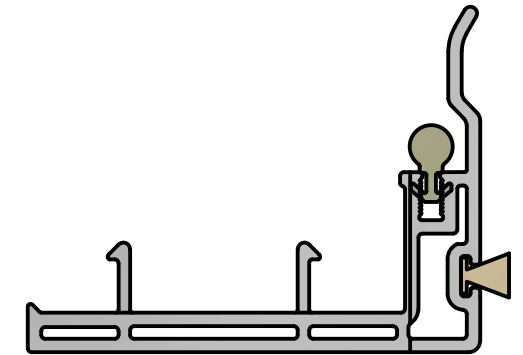


SCREW DRIVER SET
(PHILLIPS, SQUARE, FLAT)

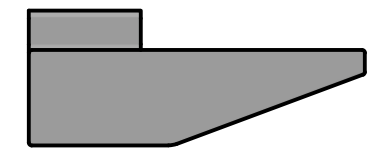
PARTS:



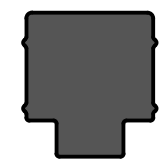
EXT. JAMB POCKET COVER
EXT. HEAD POCKET COVER
INT. JAMB POCKET COVER
INT. OP SASH STOP HEAD
(4 PIECES IN TOTAL)



OPERATING SASH INTERLOCK
FIXED SASH INTERLOCK
(2 PIECES)



ANTI-LIFT BLOCK



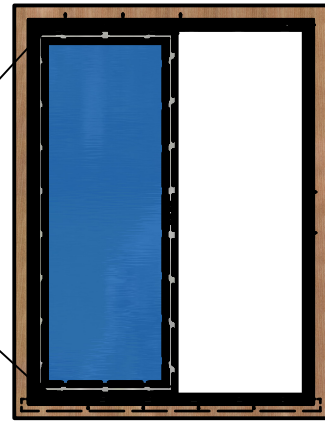
SASH STOP

HOW TO INSTALL OPERATING SASH

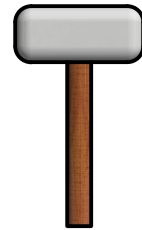
STEP 1: REMOVE AND STORE BOTH SASH STOPS (HEAD & SILL)



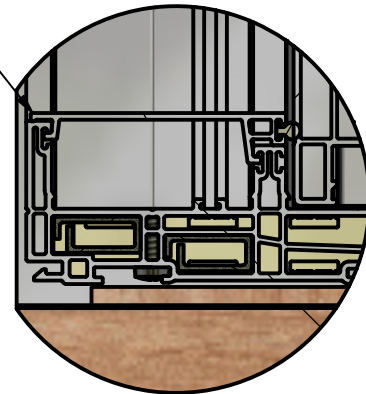
SASH STOPS



STEP 2: REMOVE INTERIOR POCKET COVER



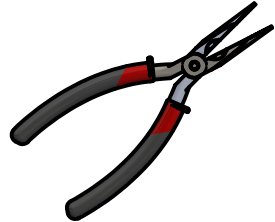
POCKET COVER



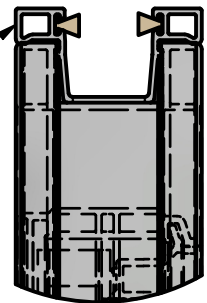
INSIDE

OUTSIDE

STEP 3: REMOVE W/S ADAPTER FROM OPERATING PANEL HEAD



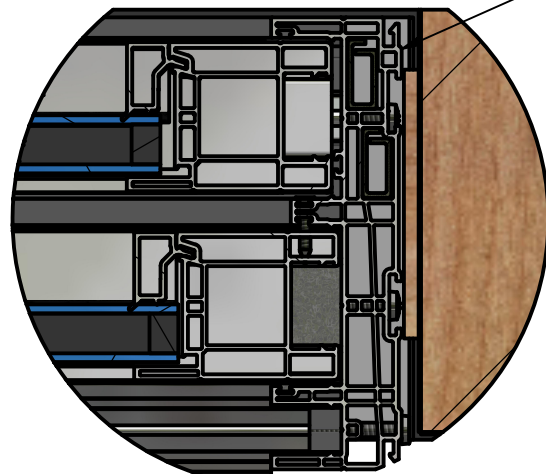
W/S ADAPTER



STEP 4: LIFT & SLIDE THE SASH INSIDE FIXED JAMB POCKET

INSIDE

FIXED JAMB



OUTSIDE

NOTE: BE AWARE OF THE SASH WEIGHT, IT MAY REQUIRE 2 PEOPLE ON BIGGER DOORS

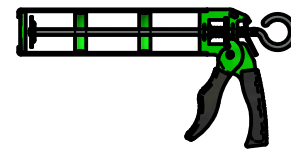
STEP 5: ALIGN & INSTALL ANTI-LIFT BLOCK WITH CENTER OF THE DOOR (END OF THE GRAY HEAD TRACK)



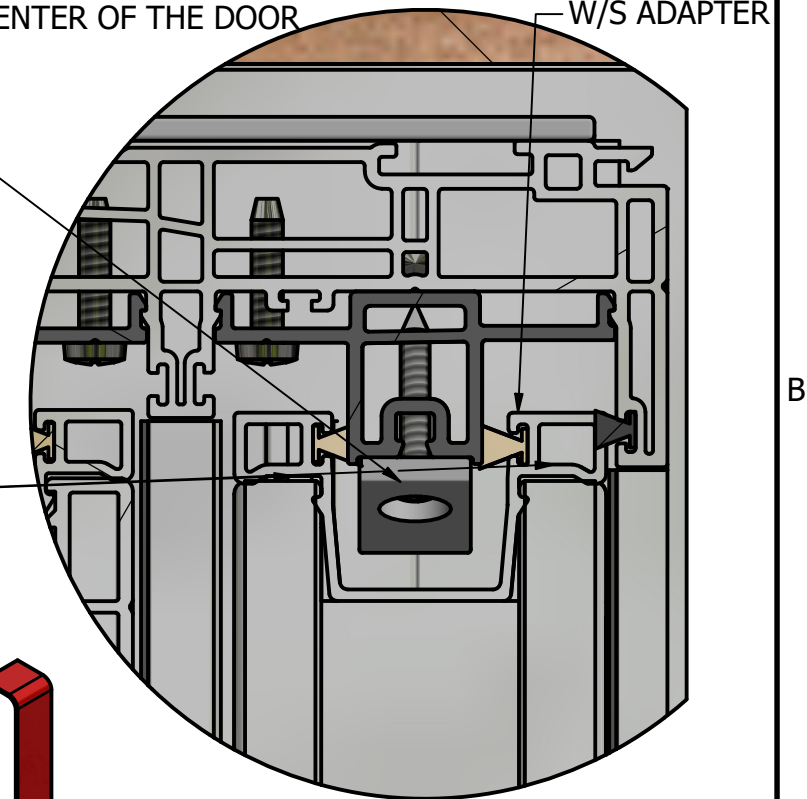
ANTI-LIFT BLOCK



STEP 6: SEAL THE END OF THE W/S ADAPTER AND SLID IT ON TOP OF SASH

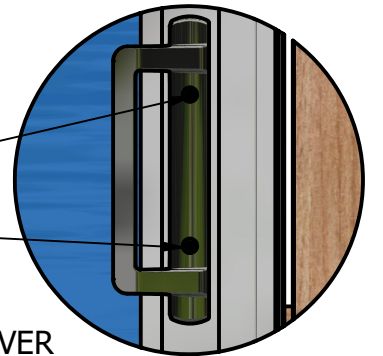


NOTE: WHEN RE-INSTALLING W/S ADAPTER USE A PRY-BAR ALONG EACH SIDE OF THE ADAPTER TO SECURE IN PLACE; CLEAN EXCESS SEALANT



W/S ADAPTER

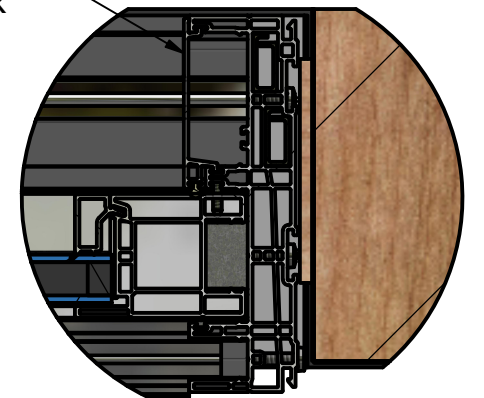
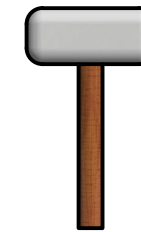
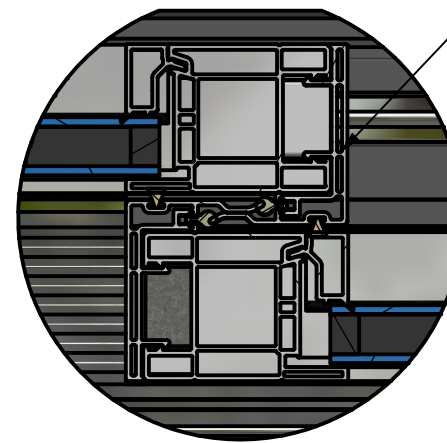
STEP 7: INSTALL OPERATING PANEL HANDLE



STEP 8: INSTALL OPERATING PANEL INTERLOCK & INTERIOR POCKET COVER

OP. PANEL INTERLOCK

POCKET COVER



STEP 9: RE-INSTALL SASH STOPS & OPERATE SASH (ADJUST ROLLERS IF NEEDED)