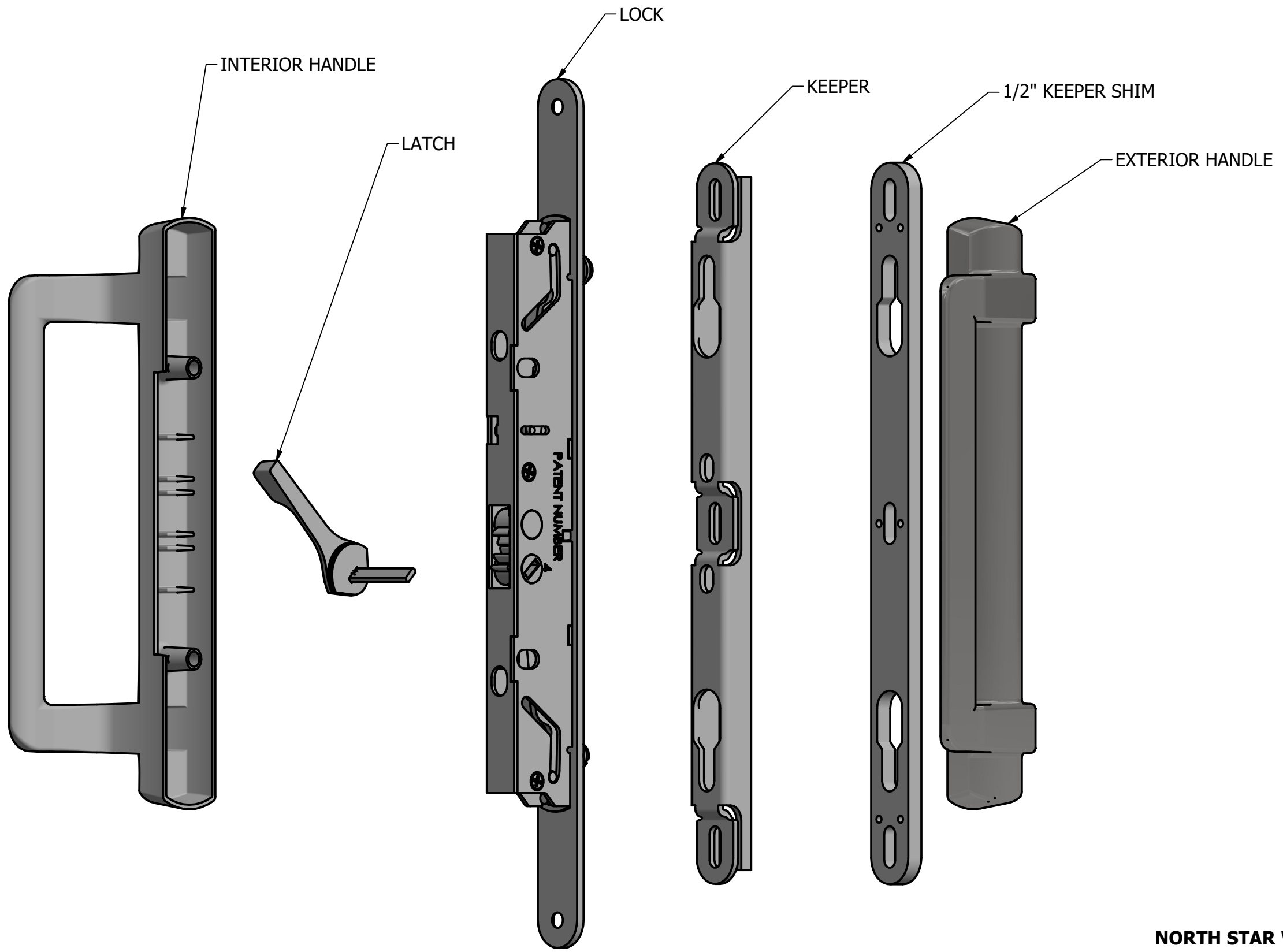


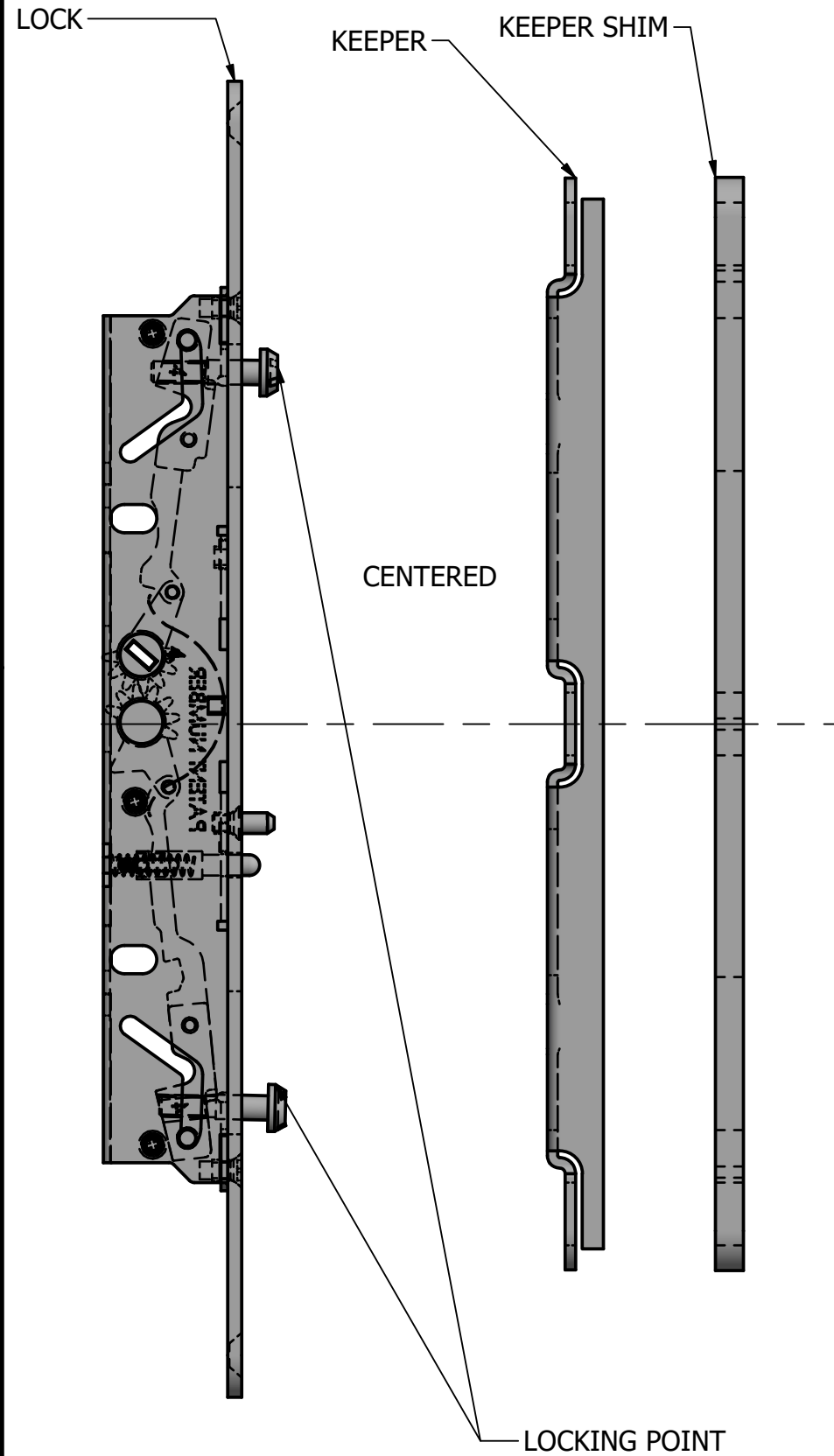
DEC-09/2022

# HANDLE & LOCK ASSEMBLY- ADJUSTMENT

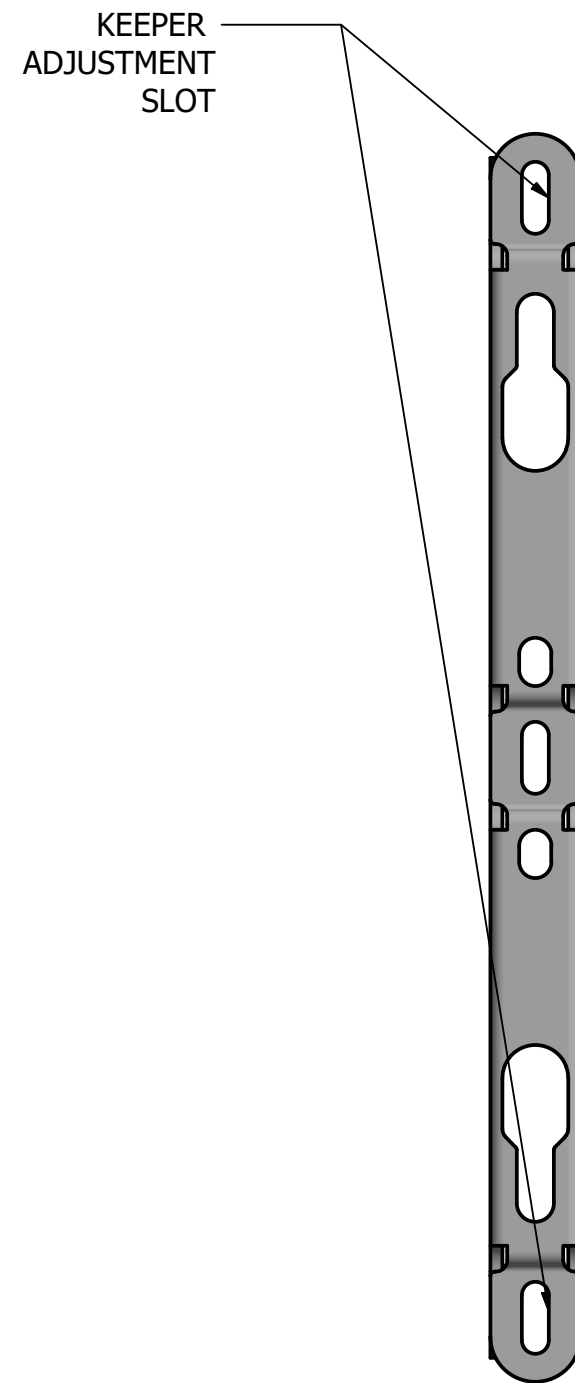


**NORTH STAR WINDOWS AND DOORS**

1. ENSURE KEEPER AND LOCK ARE CENTERED AS SHOWN BELOW



NOTE: TO ADJUST THE KEEPER LOOSEN THE SCREWS IN THE SLOTS POSITIONS BELOW AND MOVE THE KEEPER UP OR DOWN AS REQUIRED. THE KEEPER CAN BE ADJUSTED 3/16" IN EITHER DIRECTION



2. USING A FLAT HEAD SCREWDRIVER, LOOSEN THE LOCKING POINT TO EXTEND OR TIGHTEN THE LOCKING POINT TO RETRACT (1/4" TOTAL ADJUSTMENT AVAILABLE)

