

Patio Door

SPECIFICATIONS

Frame and Sash

All frame and sash profiles are extruded by North Star Windows from virgin PVC powder material. Frames and sash are multi-chamber design for strength and energy efficiency. Extruded frame is mechanically fastened at corners and sealed with one-sided adhesive backed closed cell polyethylene gaskets. The door frame's low profile sill is fitted with an extruded anodized aluminum screen track. Extruded sash are fusion welded ensuring a water and airtight seal. Sash is metal reinforced providing superior rigidity. Frames are a full 5 3/8" in depth.

Insulated Glass

3mm tempered double or triple insulating glass with Edgetech silicone foam low conductive S-Class Super Spacer®. Pilkington Energy Advantage™ Low E (hard coat) glass is standard. Cardinal LoE³-366® (soft coat) glass is optional as well as Pilkington Activ™ Self-Cleaning glass. Laminated glass is available consisting of 3mm glass, 3/8" airspace and two 3mm glass panes with a .030" clear interior membrane in-between. Heavy inert argon or krypton gas is optional for the air space between the glass panes. White mini blinds that raise, lower and tilt are also available between the glass panes.

Glazing

Insert neoprene setting blocks around perimeter of sash with application of silicone toe bead sealant to interior glazing cavity to stabilize glass movement. Furnish laid in insulated glass from interior side of sash against flexible vinyl fin weather-strip co-extruded to exterior edge of sash. Install interior glazing stops with flexible co-extruded vinyl fin weather-strip against interior glass face.

Weather-Stripping

Triple weather-strip comprising of two water repellant pile weather-strips with stiff fin type vapor barrier and one bulb type compression gaskets are located at lock side jamb. Two water repellant pile weather-strips with stiff fin type vapor barrier are located on door frame at head as well as on bottom of sliding sash and at interlocking vertical checkrail. Anti-lift block with wool pile weather-strip is fastened at the frame head. A closed cell foam pad is located at bottom of lock side jamb.

Hardware

Opening panel is equipped with two tandem roller assemblies with noise and friction reducing nylon rollers with stainless steel ball bearings. Single point (keyless) lock and keeper are standard in white or black. Deluxe Pewter and Deluxe Brass lock hardware finish is optional.

Hardware Options

Multi-point lock hardware is available. Single point and multi-point locks are available with key cylinder. Security bolt or security bar hardware is available for extra security.

Screen

North Star heavy duty extruded aluminum screen frame with adjustable steel rollers, screened with anti-glare fiberglass cloth. Screen frame is available in white and North Star's seven standard exterior colors.

Exterior and Interior Finishes

North Star standard vinyl extrusion has a clean, bright, white smooth finish. Seven North Star exterior textured color finishes (ivory, chestnut brown, cocoa, hickory, sandalwood, sable and espresso) and two interior wood grains (Kolonial Oak and Stainable/Paintable Pine) are optional. Exterior color and interior wood grain are applied PVC laminate film with an acrylic overlay for exceptional UV protection. Exterior laminate is 200µm (microns) thick. Special option: espresso interior laminate combined with espresso exterior laminate is available for patio doors.

Grilles

Windows may be enhanced with North Star 5/16" narrow and 5/8" wide flat rectangular or 5/8" wide contoured grilles between the glass panes. 5/16" narrow grilles are available in white, pewter and brass. A combination of white or wood grain interior and colored exterior is optional for 5/8" wide flat grilles. 5/8" wide flat grilles are available in pewter, white or black on all sides. Contoured 3/4" wide grilles are optional in white or white/colored exterior.

Divided Lites

Classic simulated divided lites (SDL) are also available. SDL grilles are available in 7/8" and 2" widths. Standard SDL comes without airspace grille. Optional 1/4" X 5/16" pewter airspace grilles are available on double glazed units only. SDL grille bars are permanently applied to the interior and exterior glass surface.

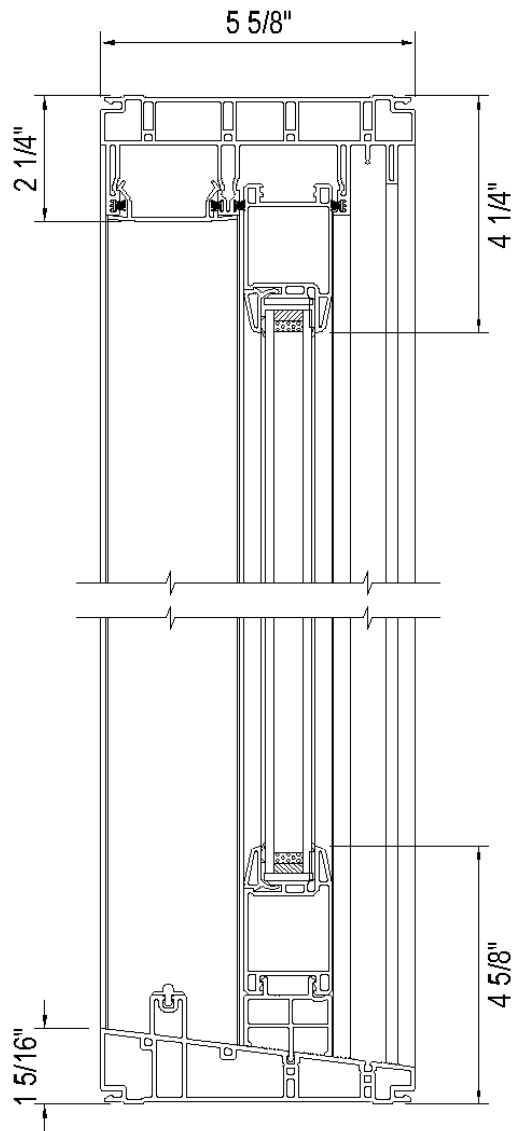
Accessories

North Star offers a variety of vinyl accessories such as nailing fin, brick molds, drywall/wood return, couplers and jamb extensions.

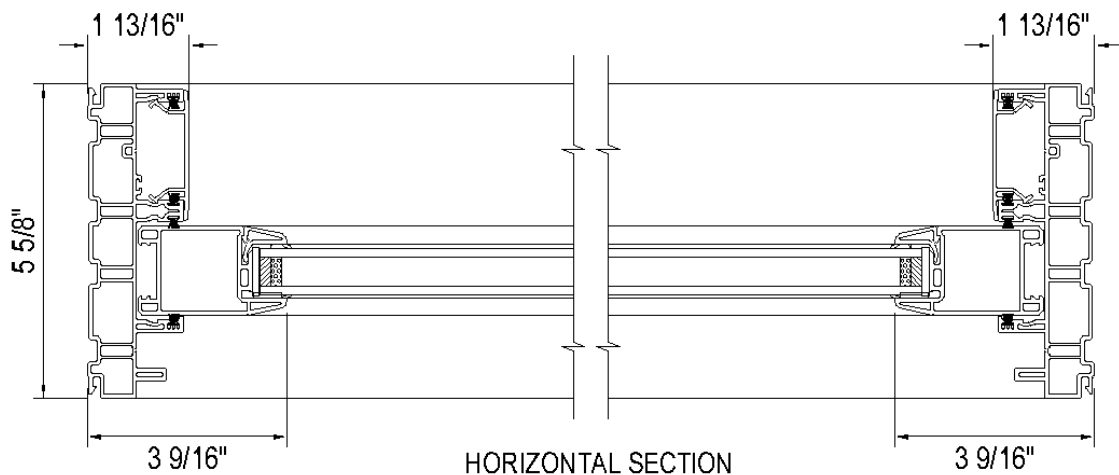
Standards

North Star windows have been tested by an independent laboratory for air, water, structural and thermal performance requirements.

3310 Patio Door Sidelite Details

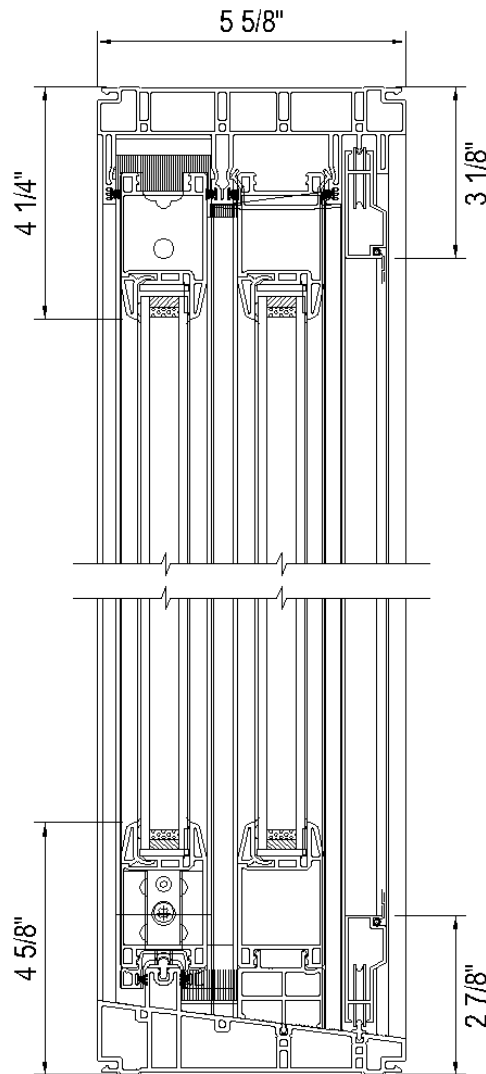


VERTICAL SECTION

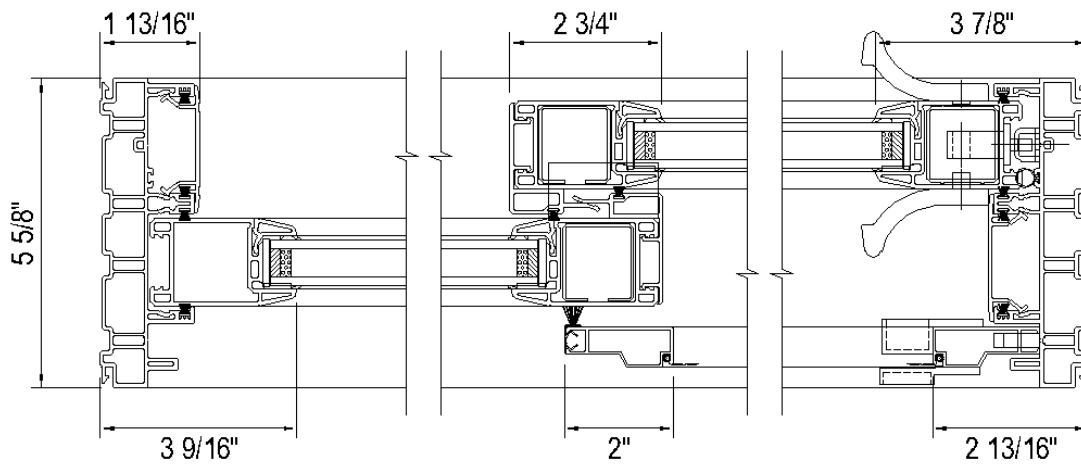


HORIZONTAL SECTION

3320 2-Panel Patio Door Details

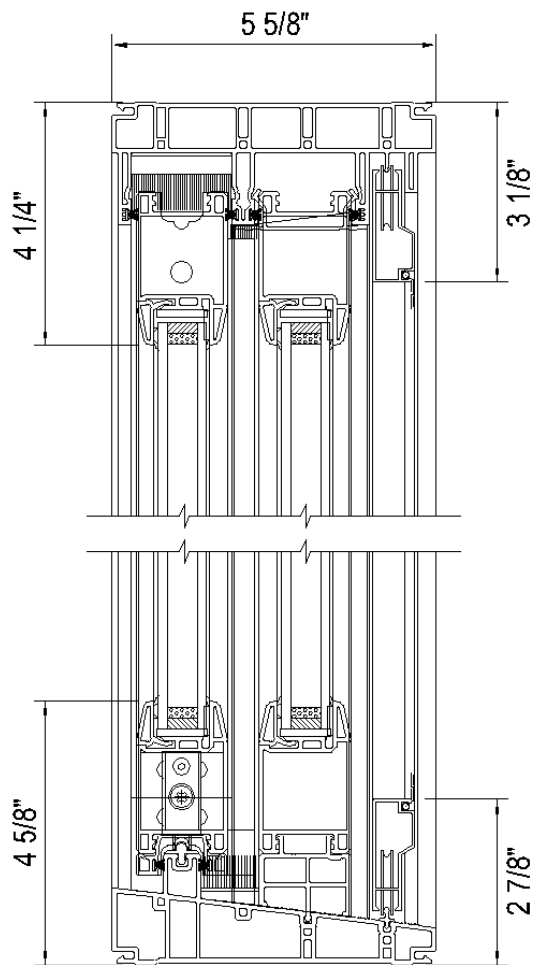


VERTICAL SECTION

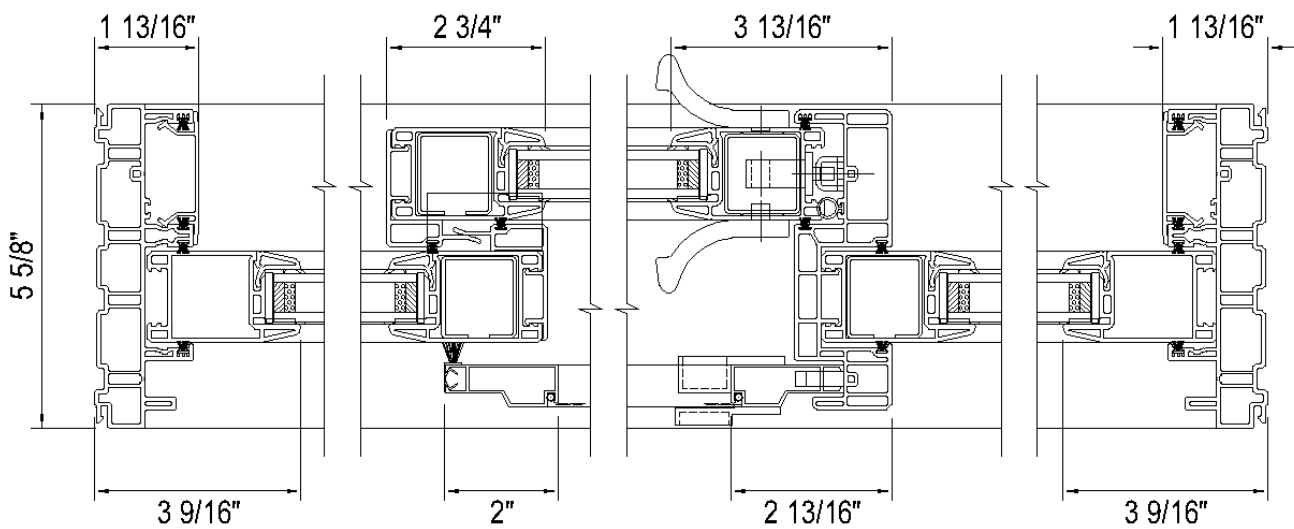


HORIZONTAL SECTION

3330 3-Panel Patio Door Details

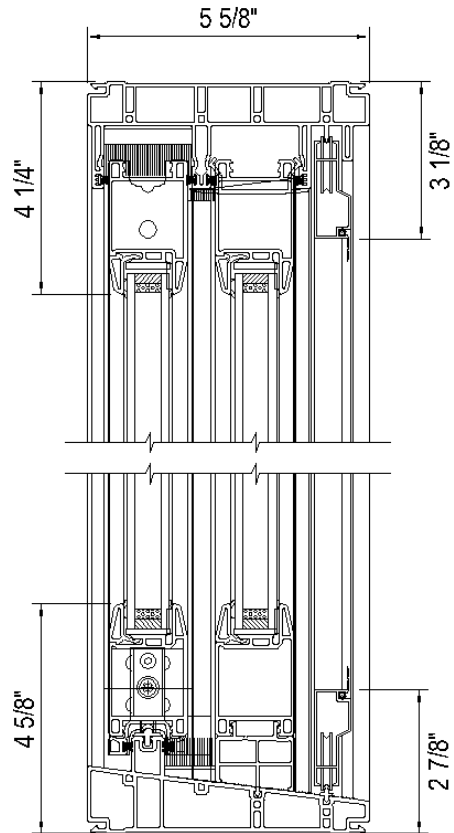


VERTICAL SECTION

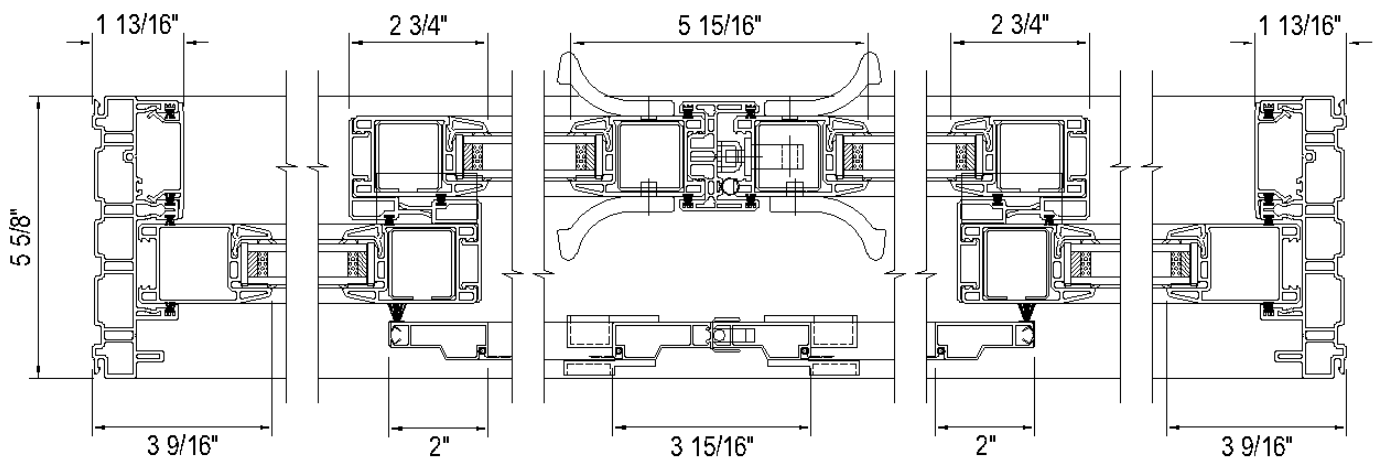


HORIZONTAL SECTION

3340 4-Panel Patio Door Details

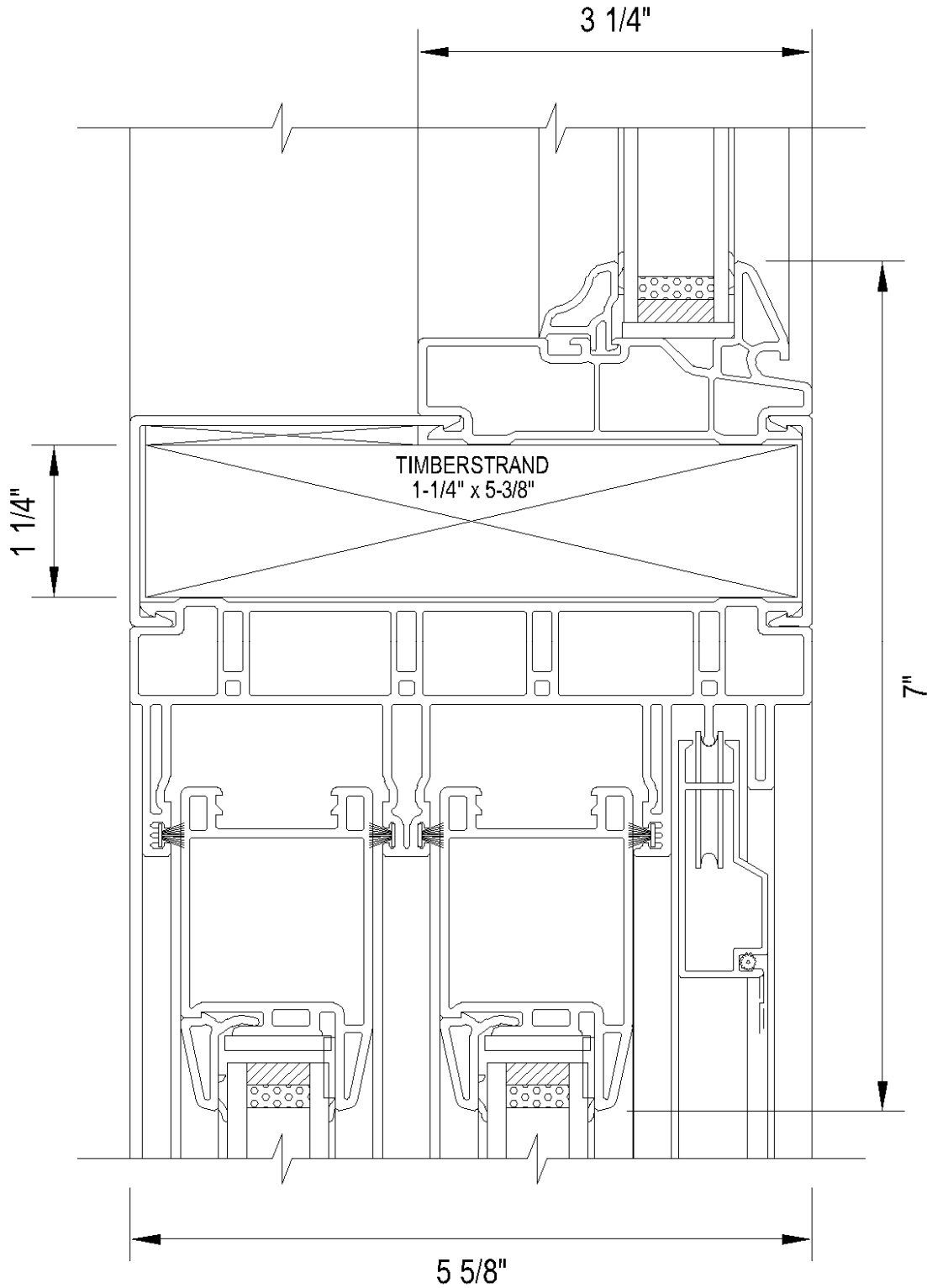


VERTICAL SECTION

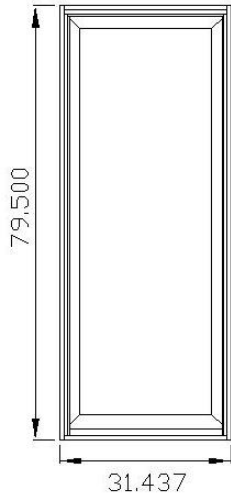


HORIZONTAL SECTION

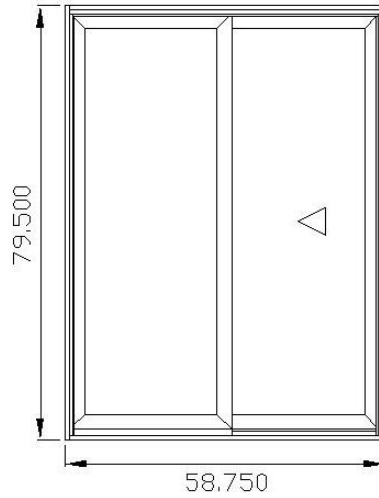
3300 Vinyl Patio Door - Reinforced Transom Assembly



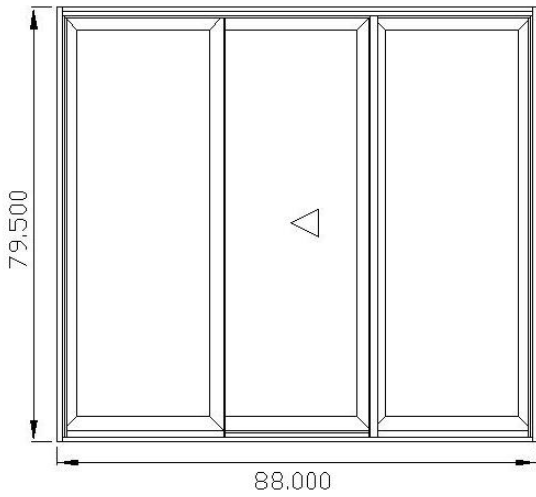
North Star Standard Height (79-1/2") Patio Doors



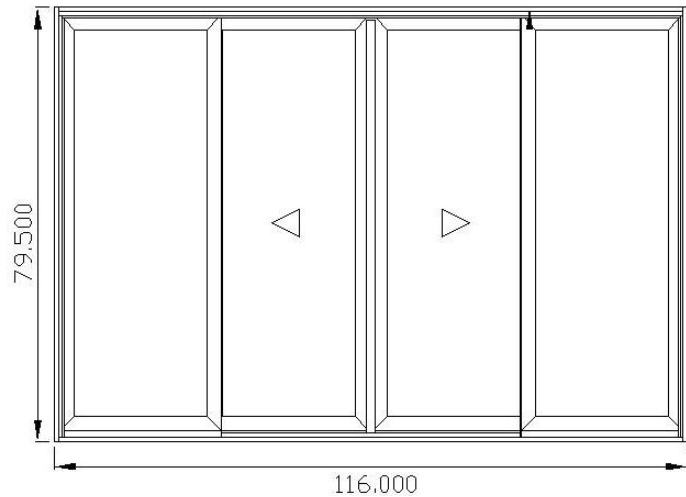
5'-0" NOMINAL,
STANDARD HEIGHT,
SIDE LITE, (O)



5'-0" NOMINAL, 2-PANEL,
STANDARD HEIGHT, (OX)

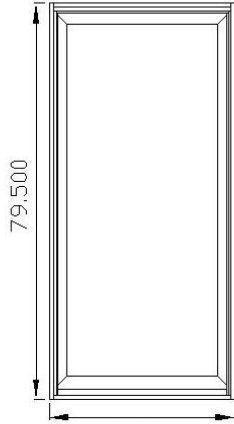


7-½' NOMINAL, 3-PANEL,
STANDARD HEIGHT, (OXO)

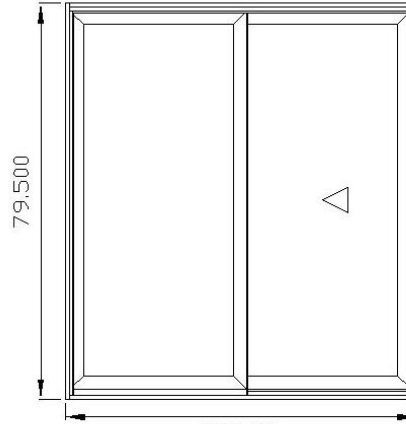


9-½' NOMINAL, 4-PANEL,
STANDARD HEIGHT, (OXXO)

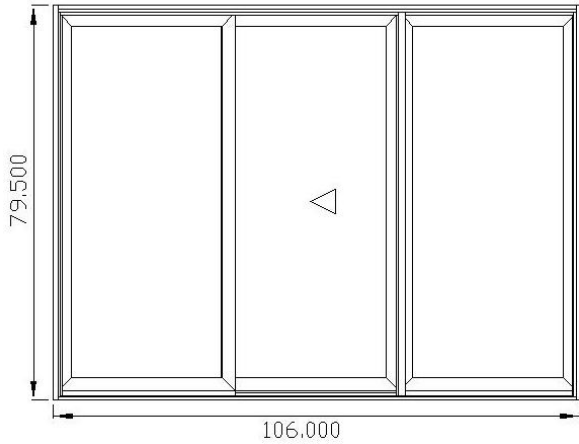
North Star Standard Height (79-1/2") Patio Doors



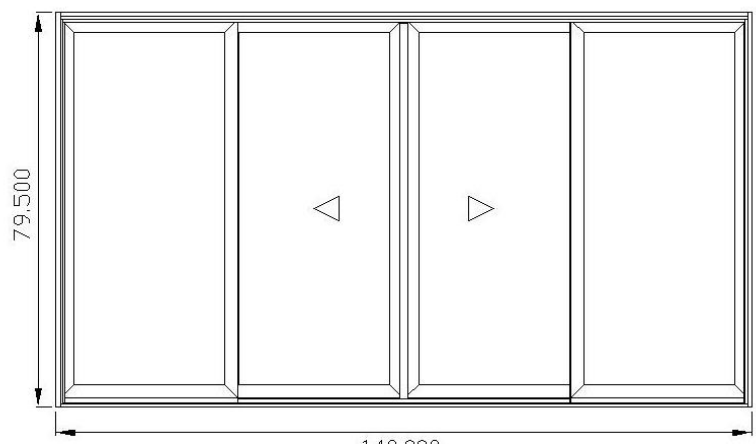
37.437
6'-0" NOMINAL,
STANDARD HEIGHT,
SIDE LITE, (O)



70.750
6'-0" NOMINAL, 2-PANEL,
STANDARD HEIGHT, (OX)

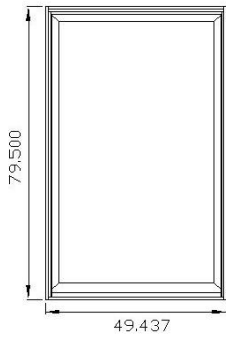


106.000
9'-0' NOMINAL, 3-PANEL,
STANDARD HEIGHT, (OXO)

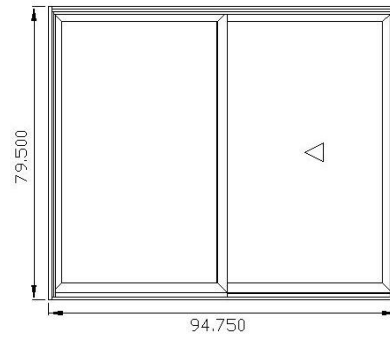


140.000
11-1/2' NOMINAL, 4-PANEL,
STANDARD HEIGHT, (OXXO)

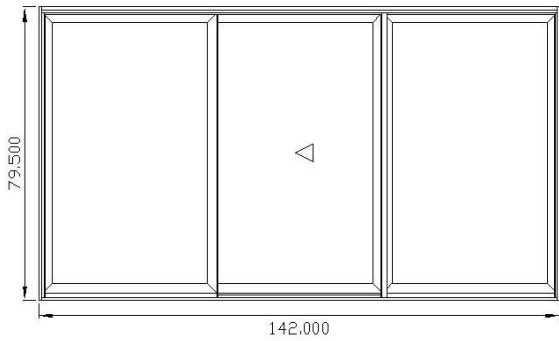
North Star Standard Height (79-1/2") Patio Doors



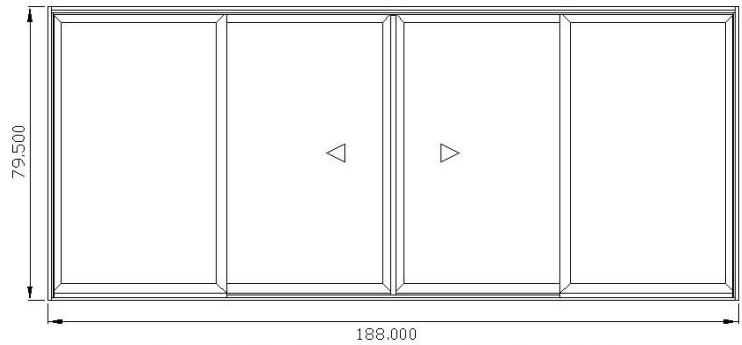
**8'-0" NOMINAL,
STANDARD HEIGHT,
SIDE LITE, (O)**



**8'-0" NOMINAL, 2-PANEL,
STANDARD HEIGHT, (OX)**

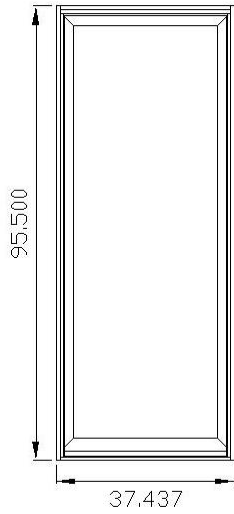


**12'-0' NOMINAL, 3-PANEL,
STANDARD HEIGHT, (OXO)**

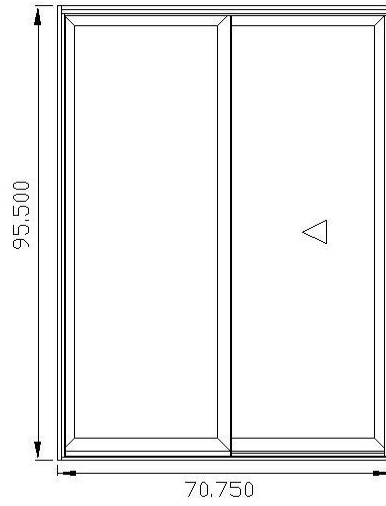


**15-½' NOMINAL, 4-PANEL,
STANDARD HEIGHT, (OXXO)**

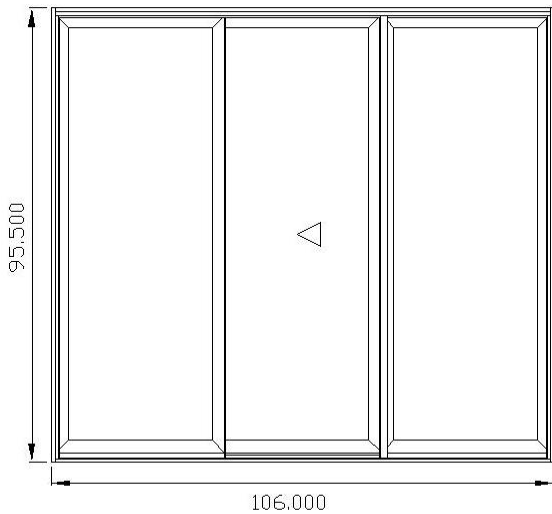
North Star Nominal (95-1/2") Height Patio Doors



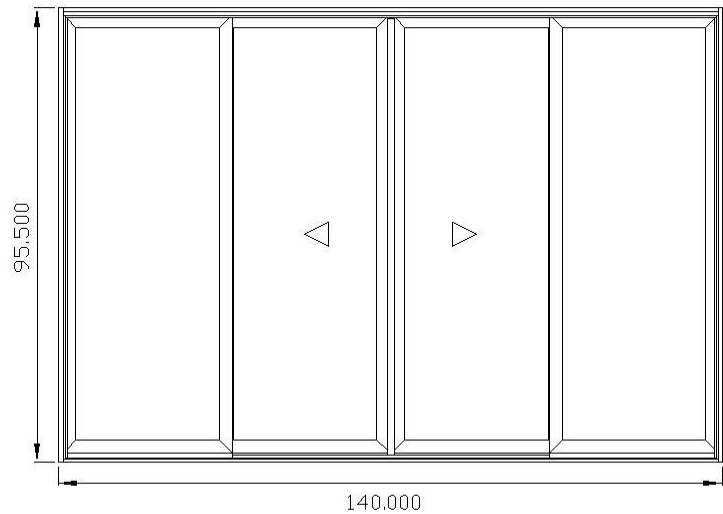
6'-0" NOMINAL,
8' HEIGHT,
SIDE LITE, (O)



6'-0" NOMINAL, 2-PANEL,
8' HEIGHT, (OX)

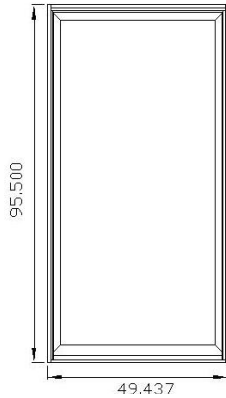


9'-0" NOMINAL, 3-PANEL,
8' HEIGHT, (OXO)

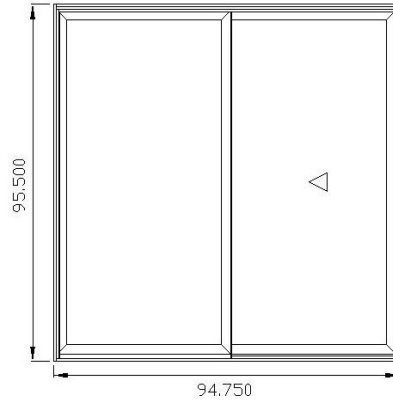


11-½' NOMINAL, 4-PANEL,
8' HEIGHT, (OXXO)

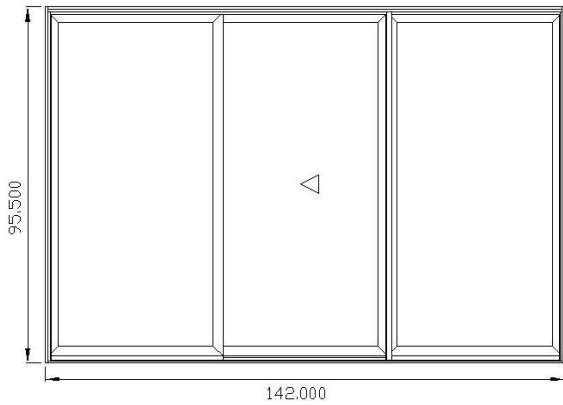
North Star Nominal (95-1/2") Height Patio Doors



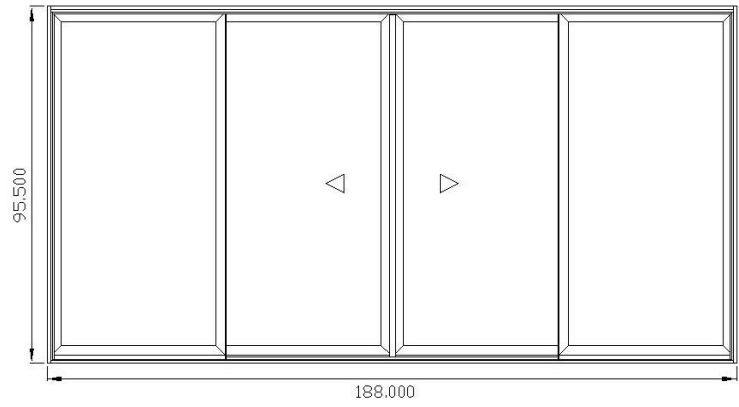
**8'-0" NOMINAL,
8' HEIGHT,
SIDE LITE, (O)**



**8'-0" NOMINAL, 2-PANEL,
8' HEIGHT, (OX)**



**12-0' NOMINAL, 3-PANEL,
8' HEIGHT, (OXO)**



**15-1/2' NOMINAL, 4-PANEL,
8' HEIGHT, (OXXO)**

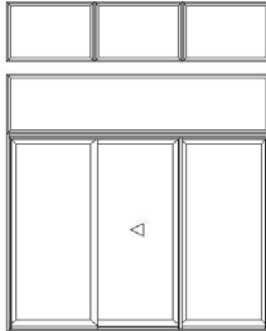
Patio Door Transoms



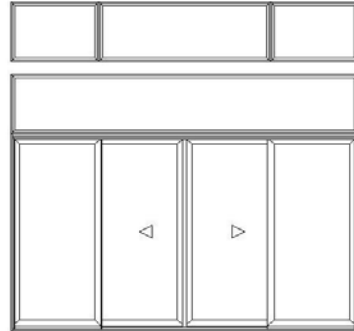
5' SIDE LITE
(31-7/16")



5' NOMINAL (58-3/4")



7-1/2' NOMINAL, 3-PANEL (88")



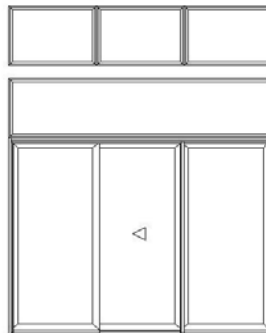
9-1/2' NOMINAL, 4-PANEL (116")



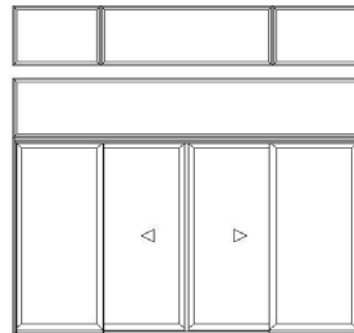
6' SIDE LITE
(37-7/16")



6' NOMINAL (70-3/4")



9' NOMINAL, 3-PANEL (106")



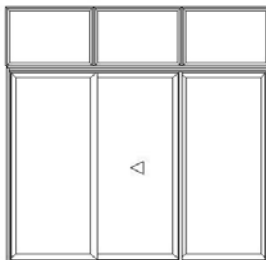
11-1/2' NOMINAL, 4-PANEL (140")



8' SIDE LITE
(49-7/16")



8' NOMINAL (94-3/4")



12' NOMINAL, 3-PANEL (142")



15-1/2' NOMINAL, 4-PANEL (188")

NOTE: 1-1/4" TIMBERSTRAND HORIZONTAL REINFORCEMENT REQUIRED BETWEEN PATIO DOOR AND TRANSOM

PRODUCT FEATURES and OPTIONS	Single Hung Tilt	Double Hung Tilt	Horizontal Sliding Window	Casement	Awning	Custom Shapes	Picture	Patio Doors
Exterior Colors								
White	●	●	●	●	●	●	●	●
Ivory	○	○	○	○	○	○	○	○
Chestnut Brown	○	○	○	○	○	○	○	○
Cocoa	○	○	○	○	○	○	○	○
Hickory	○	○	○	○	○	○	○	○
Sandalwood	○	○	○	○	○	○	○	○
Sable	○	○	○	○	○	○	○	○
Espresso	○	○	○	○	○	○	○	○
Interior Colors								
White	●	●	●	●	●	●	●	●
Stainable/Paintable Pine	○	○	○	○	○	○	○	○
Kolonial Oak	○	○	○	○	○	○	○	○
Espresso (Available only with espresso ext.)	N/A	N/A	N/A	○	○	○	○	○
Grilles								
5/16" Narrow								
Pewter on all Four Sides	○	○	○	○	○	○	○	○
Brass on all Four Sides	○	○	○	○	○	○	○	○
White on all Four Sides	○	○	○	○	○	○	○	○
5/8" Flat								
Pewter on all Four Sides	○	○	○	○	○	○	○	○
White on all Four Sides	○	○	○	○	○	○	○	○
Black on all Four Sides								
Split Finish Color Ext./White Int.	○	○	○	○	○	○	○	○
Split Finish White or Color Ext./Kolonial Oak Int.	○	○	○	○	○	○	○	○
3/4" Contour								
3/4" Contour White on All Four Sides	○	○	○	○	○	○	○	○
3/4" Contour Color Ext./White Int.	○	○	○	○	○	○	○	○
7/8" & 2" SDL With or Without Interior Grid	○	○	○	○	○	○	○	○

●STANDARD ○OPTIONAL

PRODUCT FEATURES and OPTIONS	Single Hung Tilt	Double Hung Tilt	Horizontal Sliding Window	Casement	Awning	Custom Shapes	Picture	Patio Doors
Hardware								
Maxim Hardware (Standard)				•	•			
Encore Folding Hardware				○	○			
Cam Locks (Standard)	•	•	•					
Auto Locks	○	○	○					
Single Point Lock								•
Single Point Lock with Key Lock								○
Multi-Point Lock								○
Multi-Point Lock with Key Lock								○
Security Bolt								○
Security Bar								○
Hardware Finish								
White	•	•	•	•	•	•	•	•
Faux Bronze (Standard with Kolonial Oak & Stainable/Paintable Int.)	○	○	○	○	○			
Black								○
Oil Rubbed Bronze (Encore only)				○	○			
Brushed Antique Chrome (Encore only)				○	○			
Satin Nickel (Encore only)				○	○			
Deluxe Brass								○
Deluxe Pewter								○

•STANDARD ○OPTIONAL