

## 4072 Picture Window (With Sash)

---

### SPECIFICATIONS

#### Frame

Combined frame and sash profiles are extruded from virgin PVC powder material. Frames are multi-chamber design for strength and energy efficiency. Frame is fusion welded ensuring a water and airtight seal as well as maximum strength and squareness. Frames incorporate hidden exterior accessory groove, an integrated channel for folding nail fin and an integrated wood/drywall return on interior. Frames are a full 4 ½" depth.

#### Insulated Glass

Double or triple insulating glass with Edgetech silicone foam low conductive S-Class Super Spacer®. Pilkington Energy Advantage™ Low E (hard coat) glass is standard. Cardinal LoE<sup>3</sup>-366® (soft coat) glass is optional as well as Pilkington Activ™ Self-Cleaning glass. Laminated glass is available consisting of 3mm glass, 1/2" airspace and two 3mm glass panes with a .030" clear interior membrane in-between. Heavy inert argon or krypton gas is optional for the air space between the glass panes.

#### Glazing

Insert neoprene setting blocks around perimeter of sash with application of silicone toe bead sealant to interior glazing cavity to stabilize glass movement. Furnish laid in insulated glass from interior side of sash against flexible vinyl fin weather-strip co-extruded to exterior edge of sash. Install architectural profiled interior glazing stops with flexible co-extruded vinyl fin weather-strip against interior glass face.

#### Weather-Stripping

Profiled exterior sash edge and profiled interior glass stop have co-extruded flexible vinyl fin weather-strip which seals against exterior and interior glass faces.

#### Exterior and Interior Finishes

North Star standard vinyl extrusion has a clean, bright, white smooth finish on the interior and exterior.

#### Grilles

Windows may be enhanced with North Star 5/16" narrow and 5/8" wide flat rectangular or 5/8" wide contoured grilles between the glass panes. 5/16" narrow grilles are available in white, pewter and brass. Contoured 5/8" wide grilles are available in white only. 5/8" wide flat grilles are also available in pewter.

#### Divided Lites

Classic simulated divided lites (SDL) are also available on casement, awning, picture window and North Star Patio Doors. SDL grilles are available in 7/8" and 2" widths. Standard SDL comes without airspace grille. Optional 1/4" X 5/16" pewter airspace grilles are available on double glazed units only. SDL grille bars are permanently applied to the interior and exterior glass surface.

#### Accessories

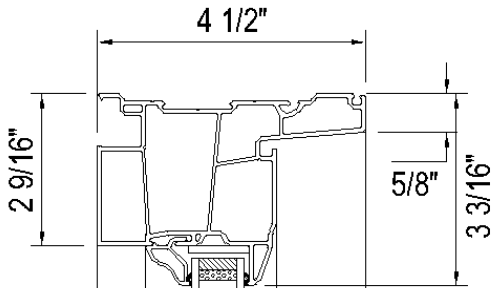
North Star offers a variety of vinyl accessories such as folding nailing fin, brickmolds, couplers and jamb extensions.

#### Standards

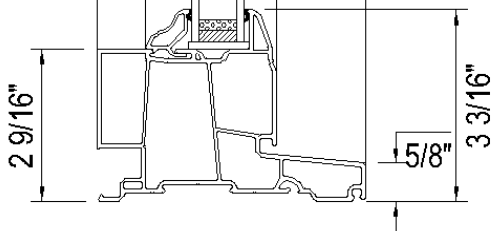
North Star windows have been tested by an independent laboratory for air, water, structural and thermal performance requirements.

### 4072 Picture Window (With Sash) Details

HEAD DETAIL

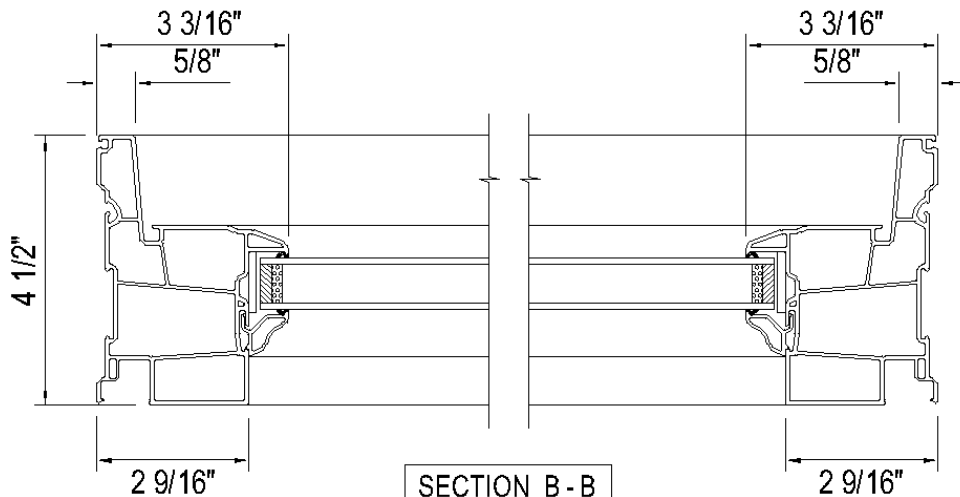
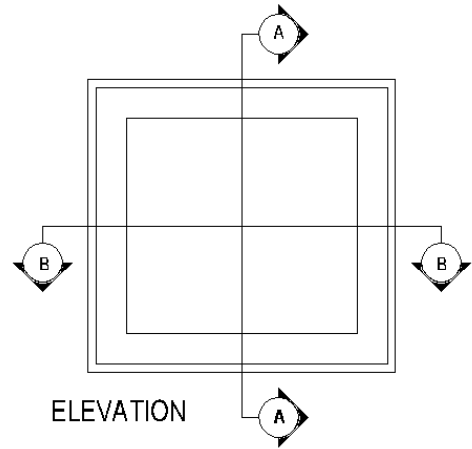


SECTION A-A



SILL DETAIL

CAN/CSA A440-00	
Air: Fixed	
Water: B7	
Structural: C5	
Forced Entry: N/A	
<hr/>	
DP Rating: CW-PG70-FW	
Water Resistance (psf): 730 (15.0)	
Air Infiltration/Exfiltration: Fixed	



SECTION B-B

JAMB DETAIL

JAMB DETAIL