



**NORTH STAR**  
WINDOWS & DOORS

# SENTINEL

Entry Door System  
Architectural Manual



April 2023

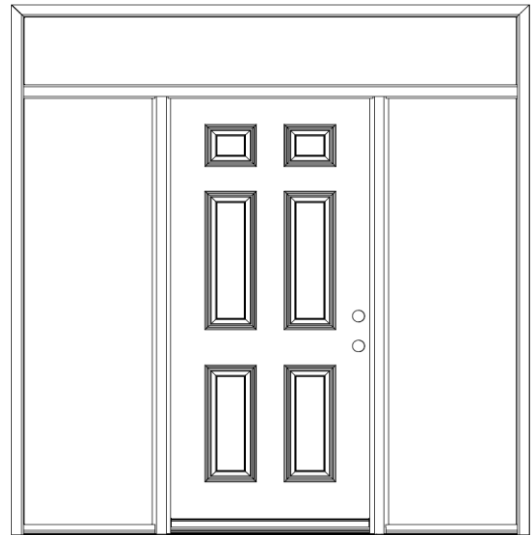
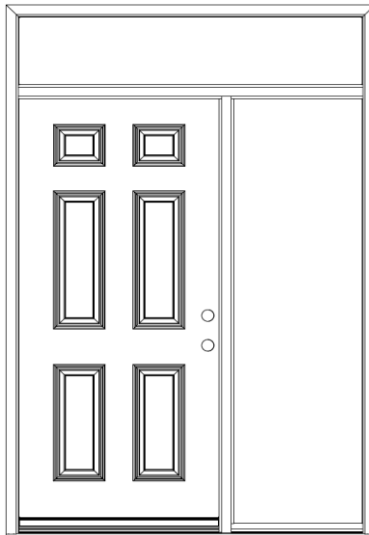
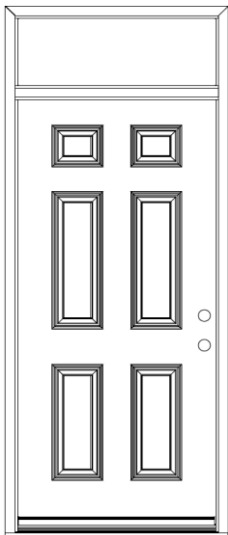
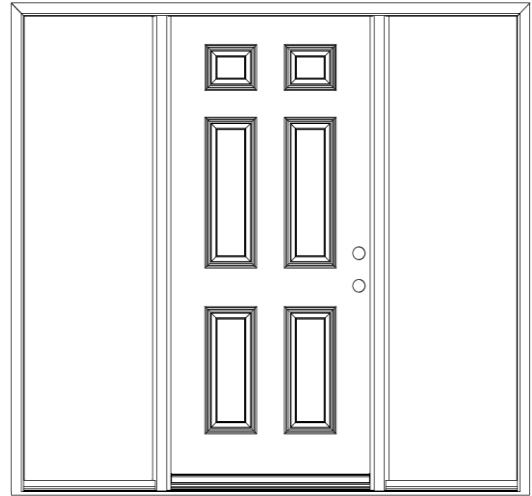
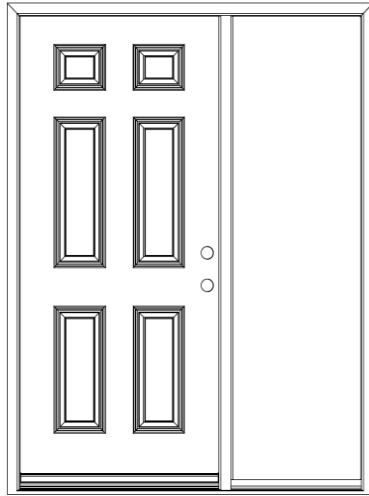
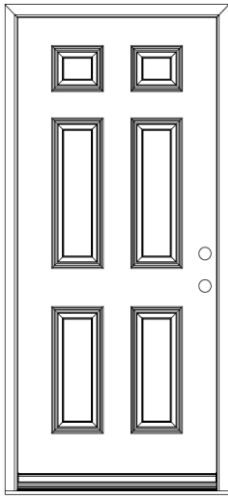
## Table of Contents

<b>1. Entry Doors Configuration Options .....</b>	<b>3</b>
Single Slab Systems .....	3
Double Slab Systems .....	4
Triple Slab Systems.....	5
Quadruple Slab Systems.....	5
<b>2. Entry Doors Operation Option .....</b>	<b>6</b>
Single Slab Systems .....	6
Double Slab Systems .....	6
Triple Slab System .....	7
Quadruple Slab System .....	8
<b>3. Frame Finish Options.....</b>	<b>9</b>
<b>4. Standard Composite Jamb depth .....</b>	<b>10</b>
<b>5. Entry Door Threshold Options .....</b>	<b>11</b>
Inswing sill .....	11
Outswing.....	13
ADA Compliant Sill (Wheelchair).....	13
<b>6. Sentinel Inswing Entry Door - Series 7000 .....</b>	<b>14</b>
7001 Single Door .....	14
7002 Single Door with Transom .....	17
7003 Single Door with Single Sidelite.....	21
7004 Single Door with Single Sidelite and Transom.....	25
7005 Single Door with Double Sidelite.....	30
7006 Single Door with Double Sidelite and Transom.....	34
7007 Double Door with Astragal .....	39
7008 Double Door with Astragal and Transom .....	42
7009 Double Door with Astragal and Single Sidelite.....	46
7010 Double Door with Astragal, Single Sidelite and Transom .....	50
7011 Double Door with Astragal and Double Sidelite.....	55
7012 Double Door with Astragal, Double Sidelite and Transom .....	59
7013 Double Door with Mullpost.....	64
7014 Double Door with Mullpost and Transom.....	67
7015 Double Door with Mullpost and Single Sidelite .....	71
7016 Double Door with Mullpost, Single Sidelite and Transom .....	75
7017 Double Door with Mullpost and Double Sidelite .....	80
7018 Double Door with Mullpost, Double Sidelite and Transom .....	84
7019 Triple Door.....	89

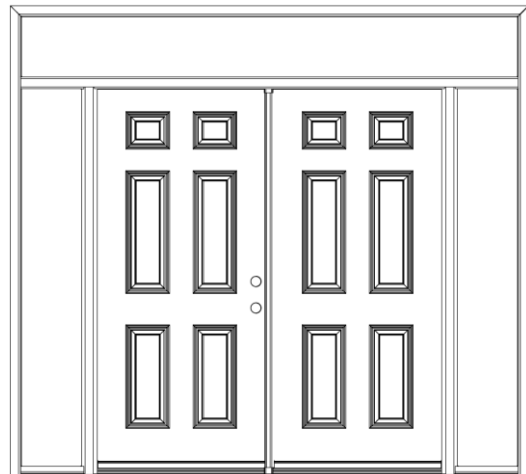
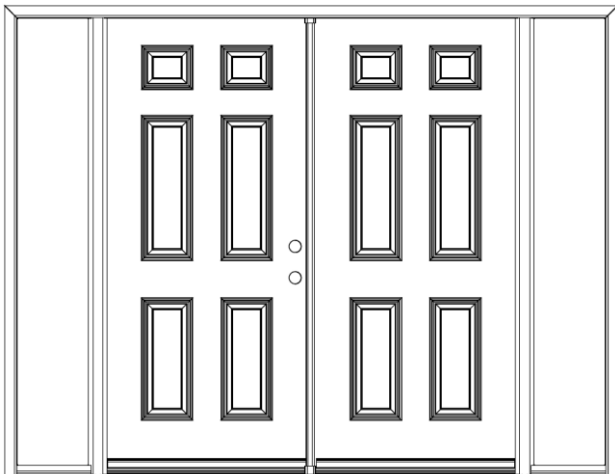
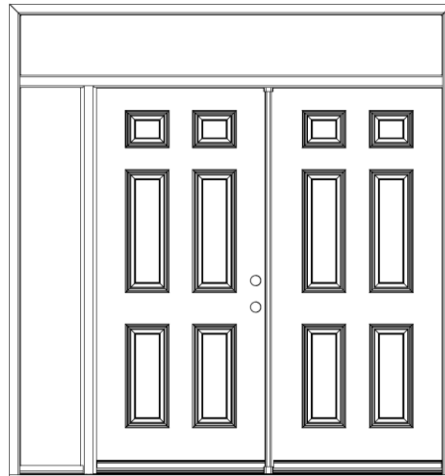
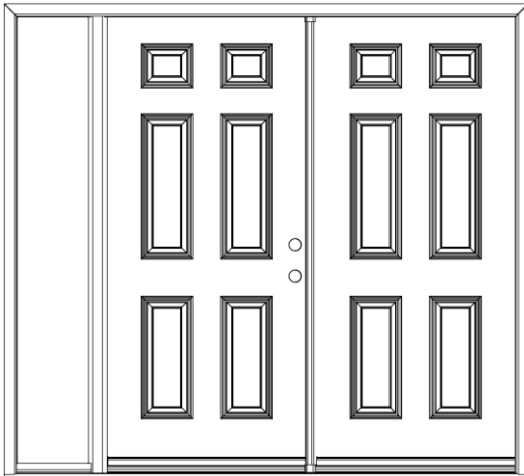
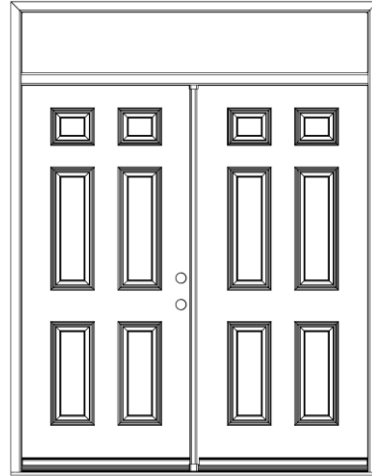
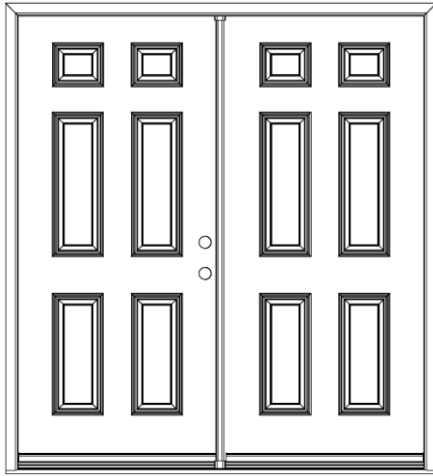
7021 Quad Door .....	92
<b>7. Glazing options .....</b>	<b>95</b>
Doorlite Options .....	96
Grills Between the Glass.....	97
Simulated Divided Lites (SDL).....	97
<b>8. Slab Design Options .....</b>	<b>98</b>

## 1. Entry Doors Configuration Options

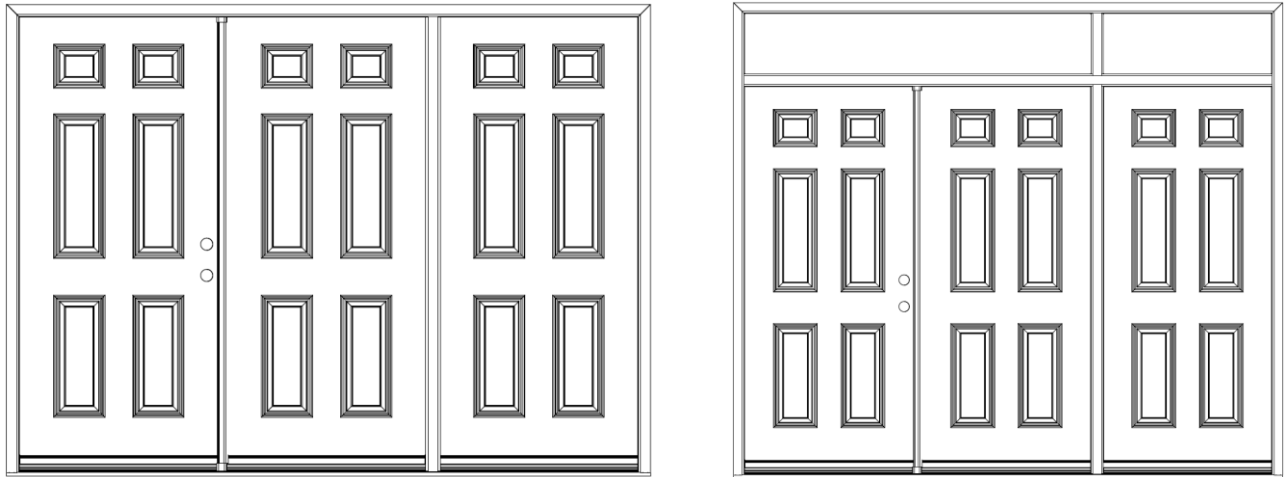
### Single Slab Systems



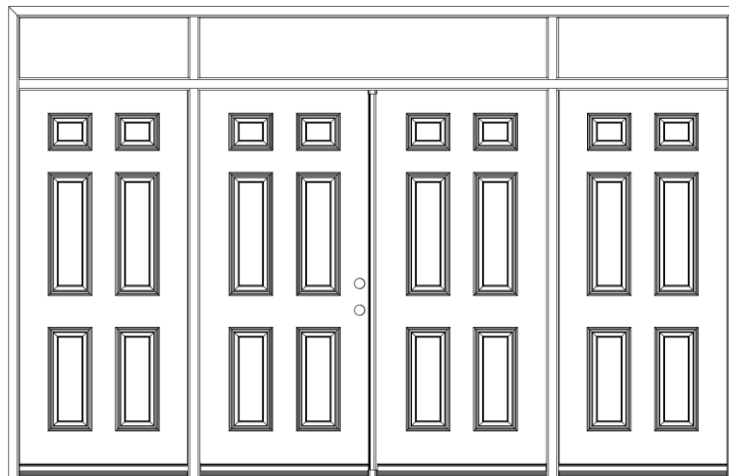
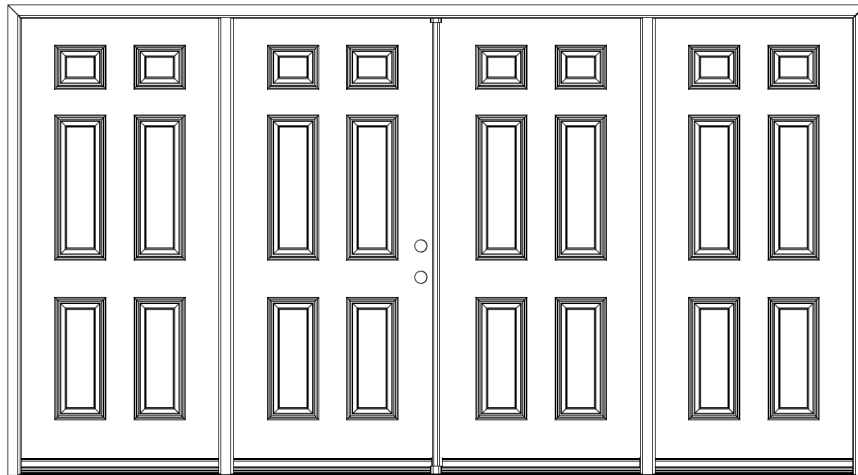
*Double Slab Systems*



*Triple Slab Systems*

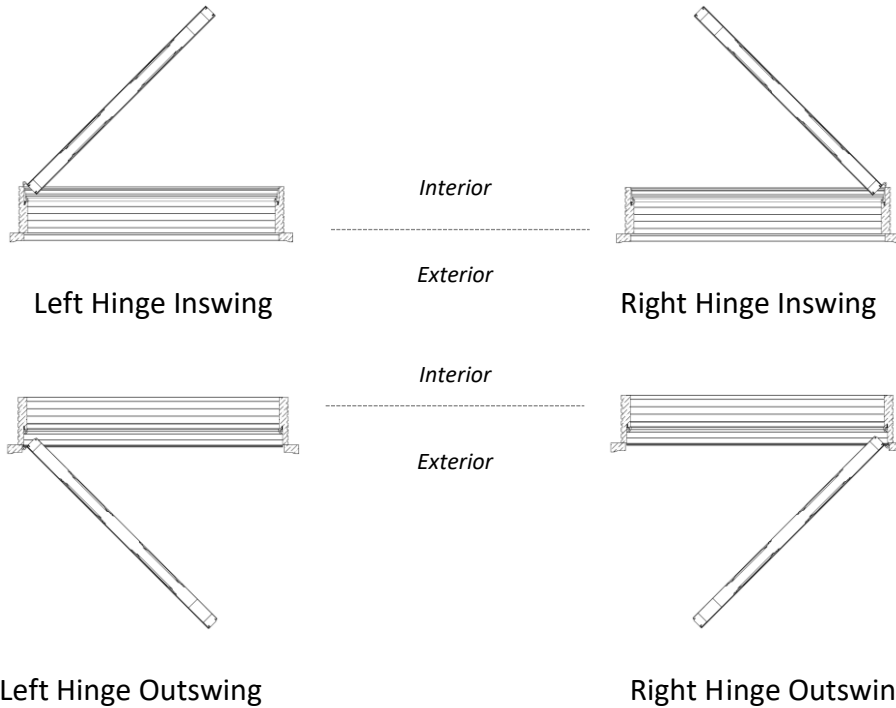


*Quadruple Slab Systems*



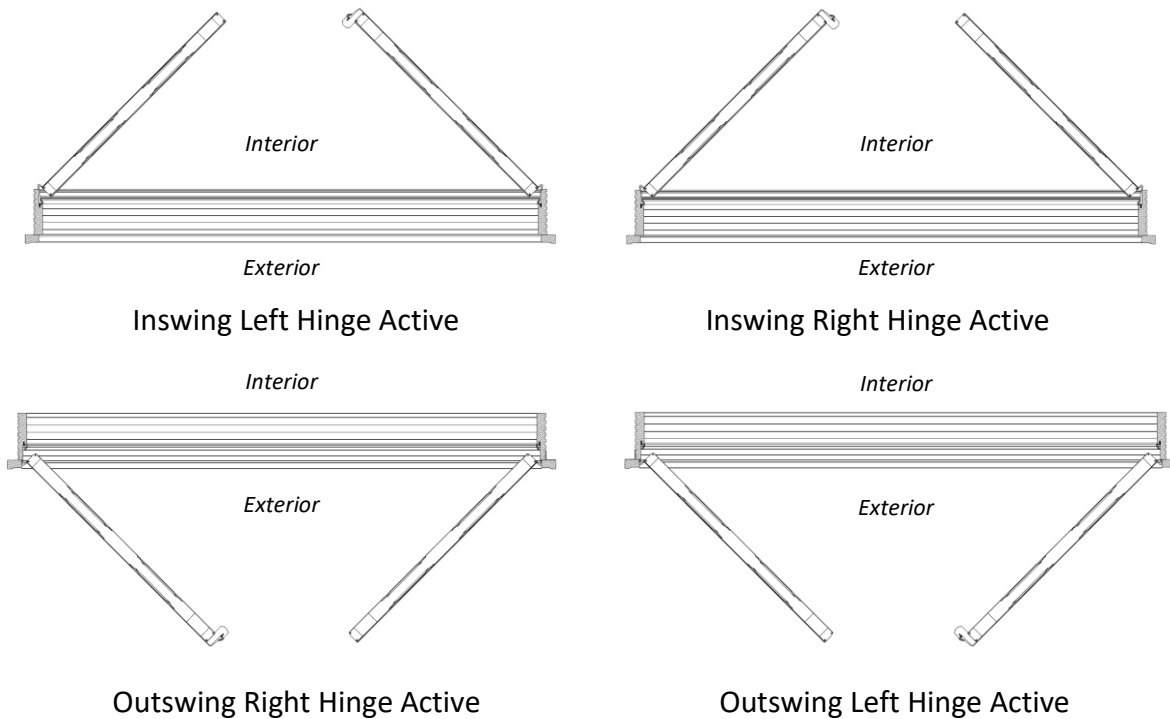
## 2. Entry Doors Operation Option

### Single Slab Systems

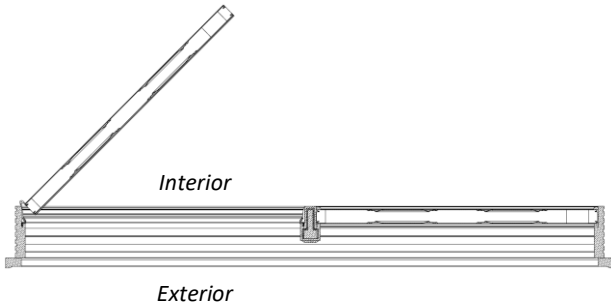


### Double Slab Systems

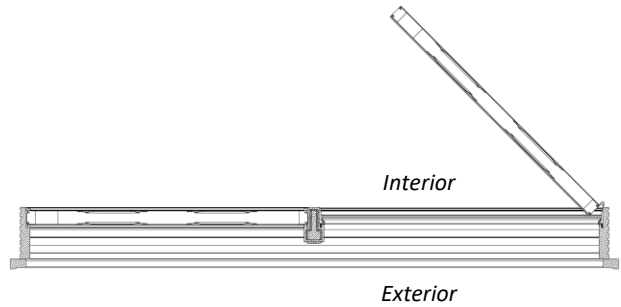
- **French Door**



- **Garden Door**



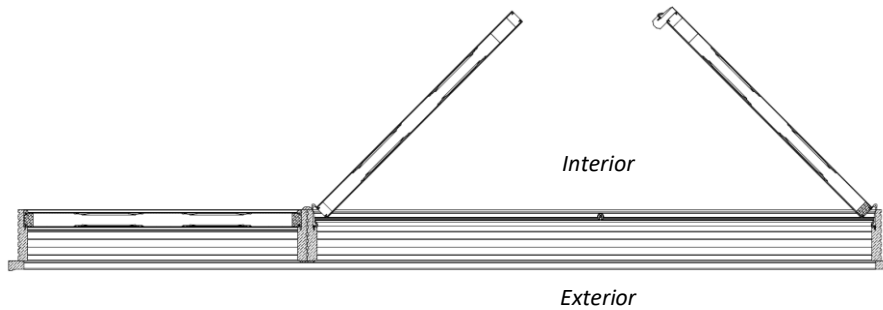
Inswing Left Hinge Active\*



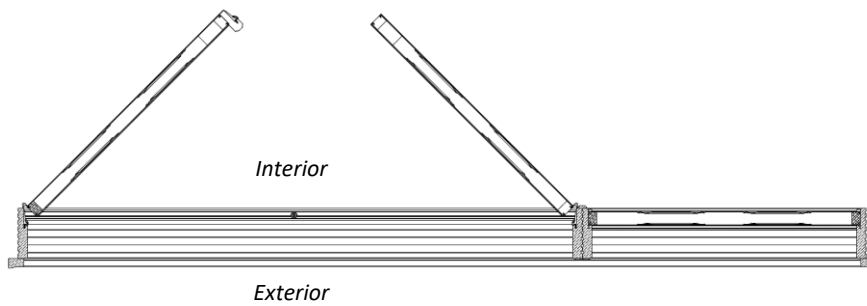
Inswing Right Hinge Active\*

\*Center swing options also available

**Triple Slab System**



Inswing Left Hinge Active

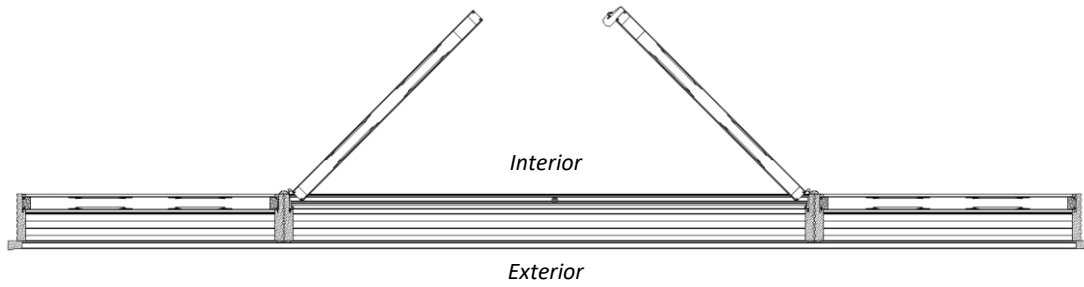


Inswing Right Hinge Active

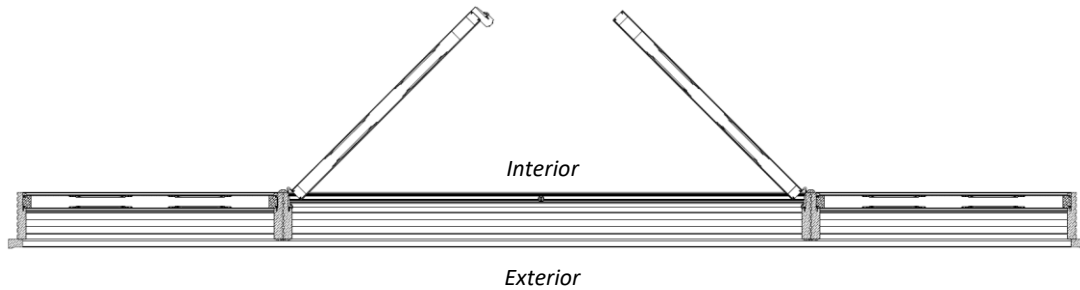
For additional system configuration options please contact your preferred dealer.



Quadruple Slab System



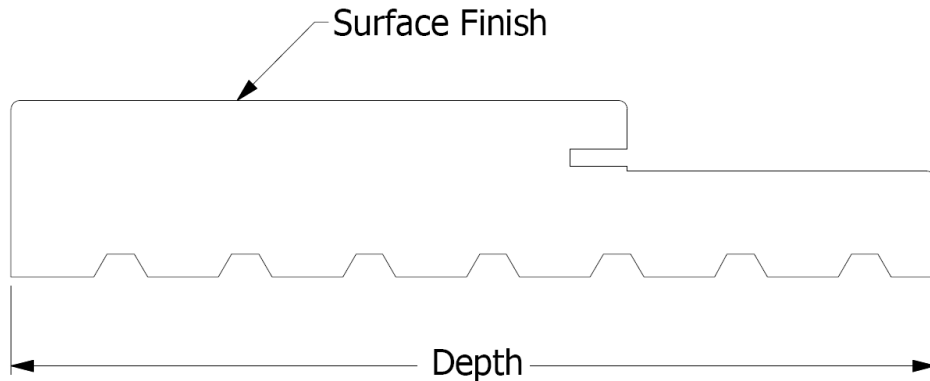
Inswing Left Hinge Active



Inswing Right Hinge Active

For additional system configuration options please contact your preferred dealer.

### 3. Frame Finish Options



<u>Surface Finish</u>	<u>Option</u>	<u>Available Jamb Depth</u>
White Cap	Painted Unfinished	4 5/8" up to 9 5/8"
Wood Grain	Stained Unfinished	4 5/8" and 9 5/8"

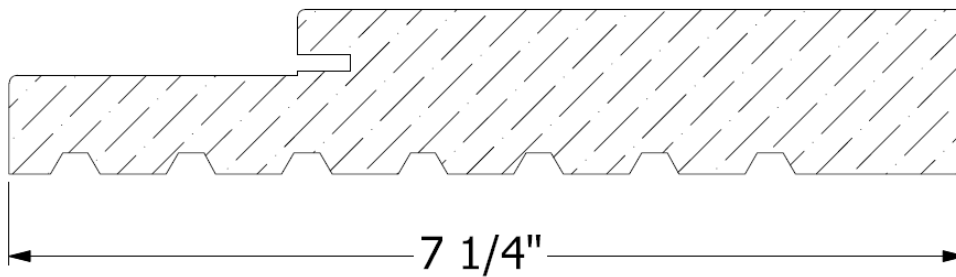
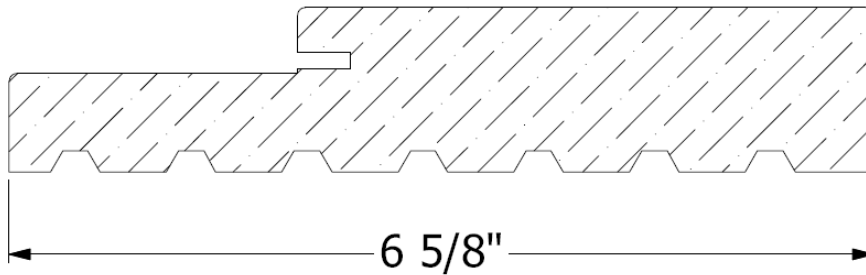
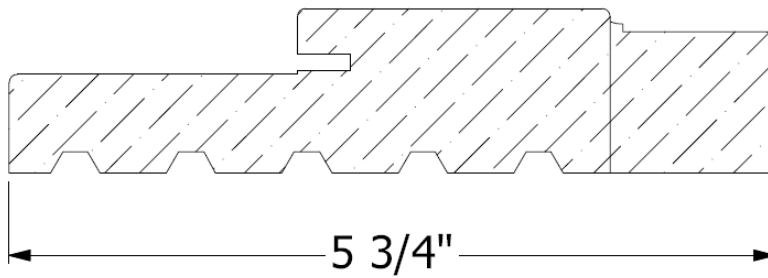
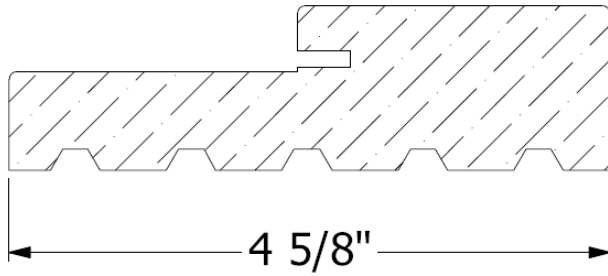
- **Color Options:**

- White
- Midnight Black
- Espresso
- Slate
- Iron Ore
- Hickory
- Cocoa
- Royal Blue
- Red
- Burgundy
- Dover Grey

- **Stain Color Options:**

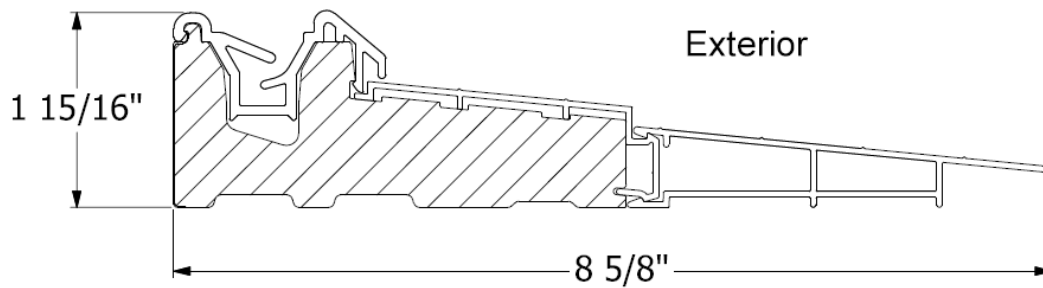
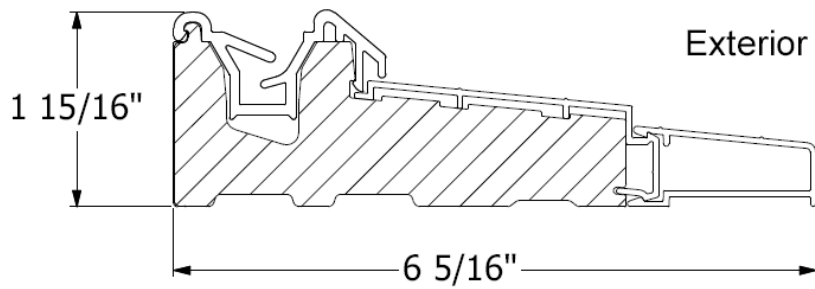
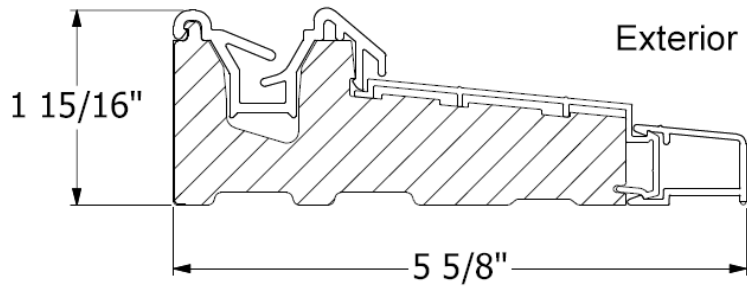
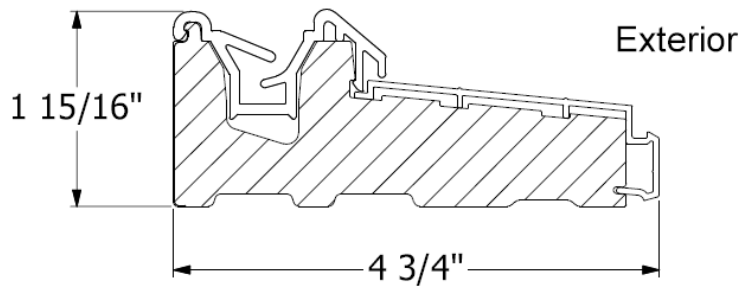
- Antique Brown
- Hickory
- Raw Honey

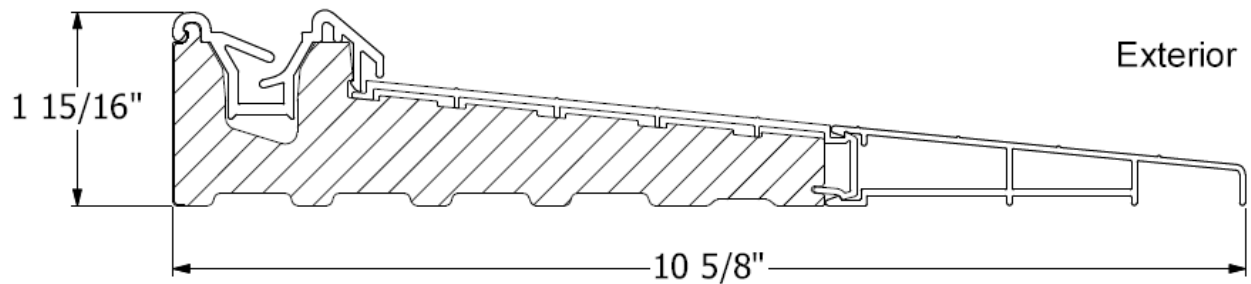
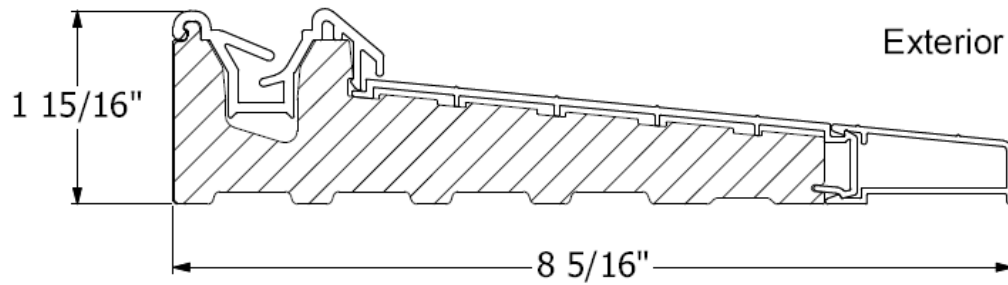
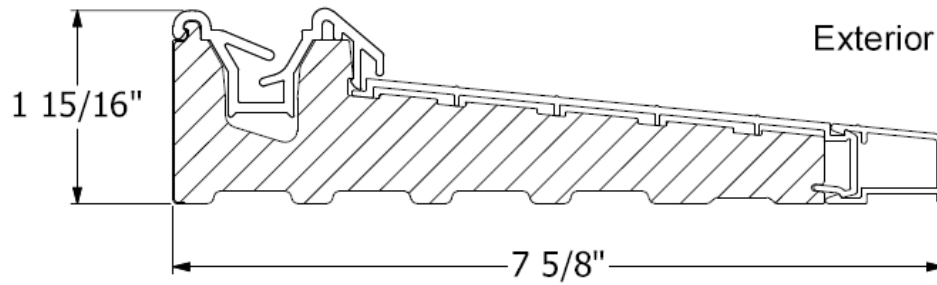
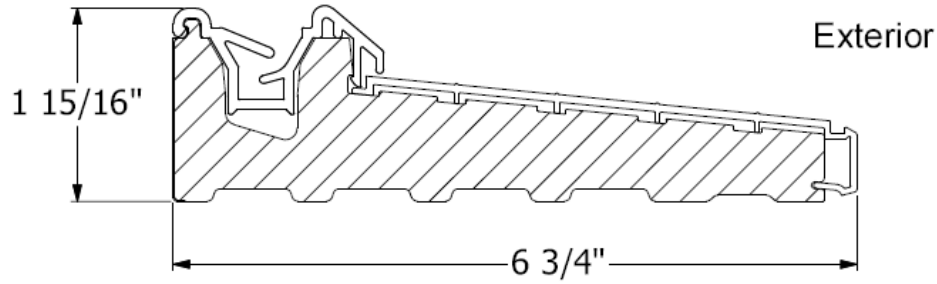
4. Standard Composite Jamb depth



## 5. Entry Door Threshold Options

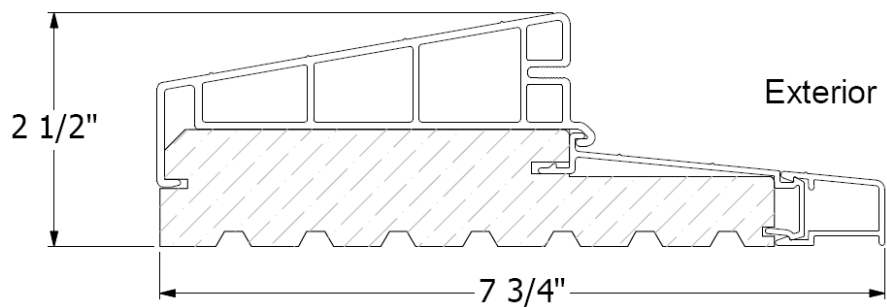
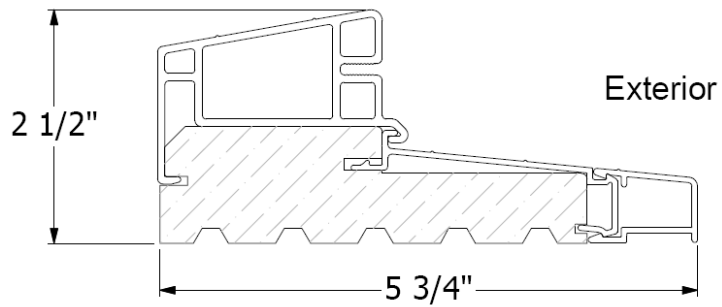
### *Inswing sill*





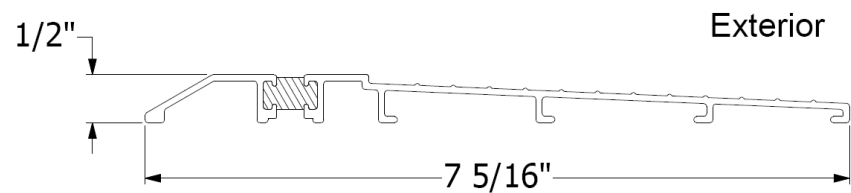
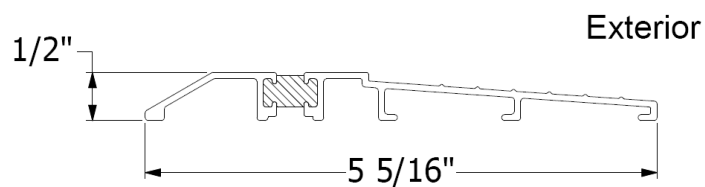
- **Available finish:**
  - Satin Nickel
  - Anodized Black

Outswing



- **Available finish:**
  - Satin Nickel
  - Anodized Black

ADA Compliant Sill (Wheelchair)



- **Available finish:**
  - Satin Nickel

## 6. Sentinel Inswing Entry Door - Series 7000

### 7001 Single Door

Available standard sizes.

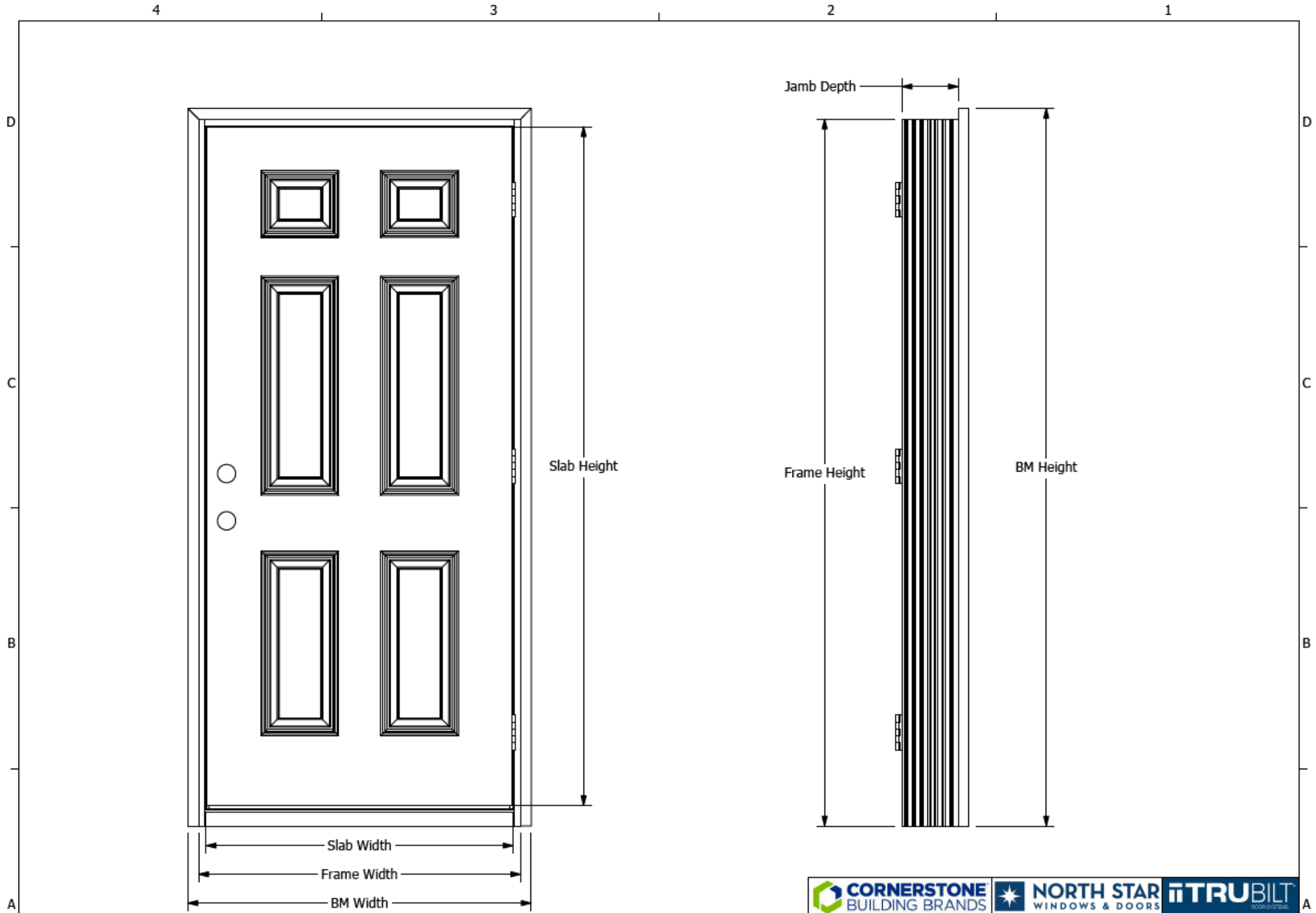
<u>Threshold Option</u>	<u>Frame Height (FH)</u>		<u>Slab Height (SH)</u>
	Nominal	Actual	
Inswing	6' 8"	82.25 in	79 in
	8' 0"	98.25 in	95 in
Outswing	6' 8"	81.5 in	79 in
	8' 0"	97.5 in	95 in
ADA (Wheelchair)	6' 8"	81.125 in	79 in
	8' 0"	97.125 in	95 in

\*Custom height slabs available. Certain restrictions apply. Please contact preferred dealer for more detailed information.

<u>Frame Width (FW)</u>	<u>Slab Width (SW)</u>	
	Nominal	Actual
31.5 in	2' 6"	29.75 in
33.5 in	2' 8"	31.75 in
35.5 in	2' 10"	33.75 in
37.5 in	3' 0"	35.75 in
43.5 in	**3' 6"	41.75 in

\*Custom width slabs available. Certain restrictions apply. Please contact preferred dealer for more detailed information.

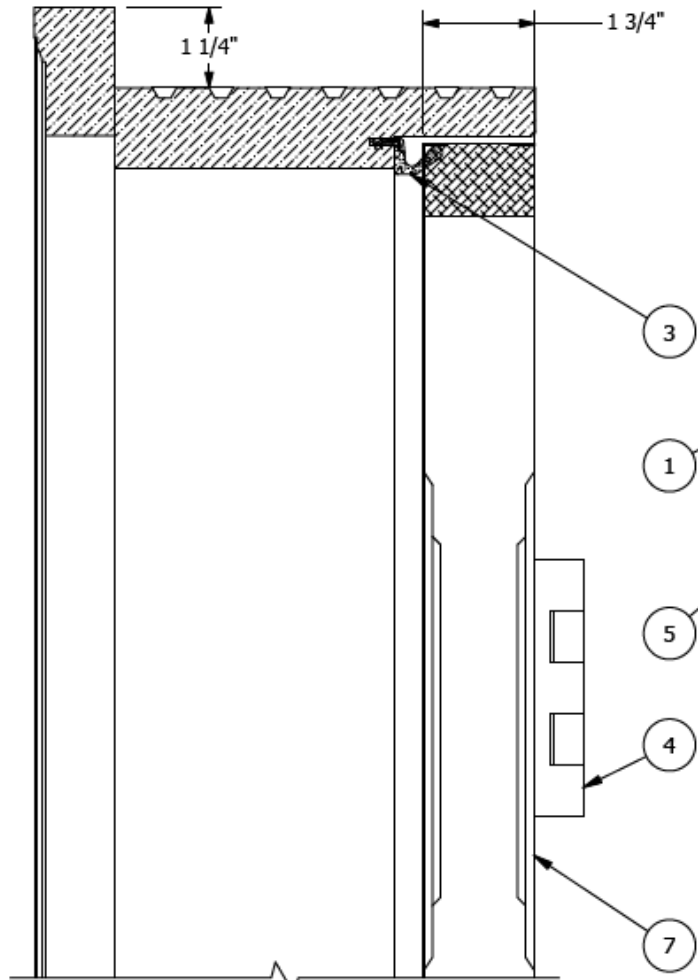
\*\*Certain restrictions apply. Please contact preferred dealer for more detailed information.



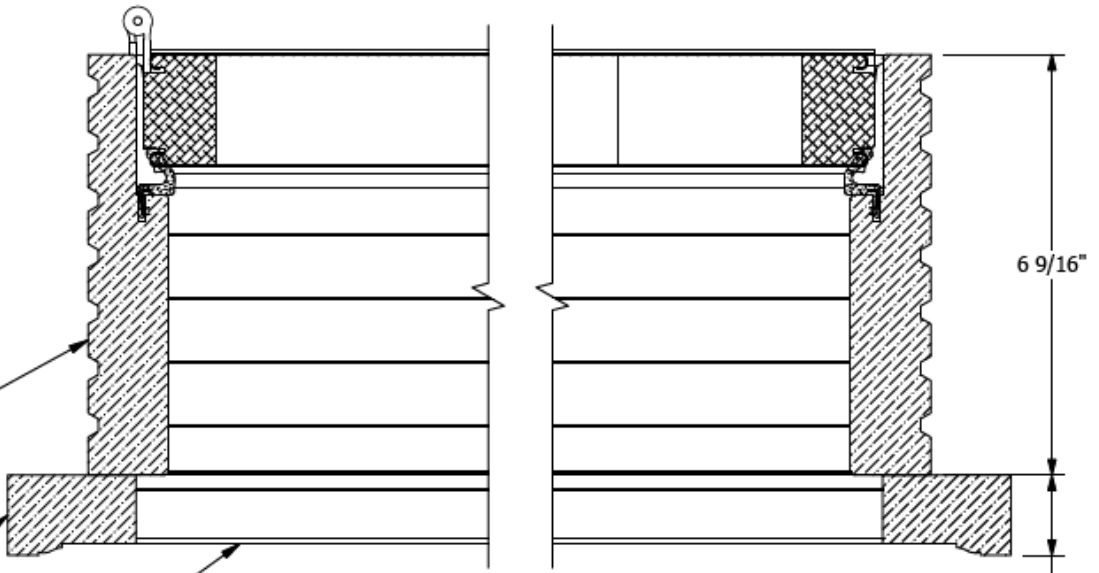
			<b>Single Inswing Door - Elevation View</b>	
			Dimensions in inches: Specified Tolerances: 0.00 ± 0.062 0.000 ± 0.005 X/X ± 1/16 X° ± 1°	Drawn by: <b>Leonardo Torres</b> Checked by: Approved by:
		Sheet Size: <b>A</b>	Scale: <b>0.07 : 1</b>	Page 1 of 1

**CONFIDENTIAL** The information contained in this document is strictly proprietary to North Star Windows and Doors and TruBilt Door Systems and may not be used in any way or for any purpose outside of the company without the express written consent of Cornerstone Building Brands. Unauthorized use, reproduction, disclosure or retention of any information contained herein is prohibited. All patent, copyright, proprietary and manufacturing rights are reserved.

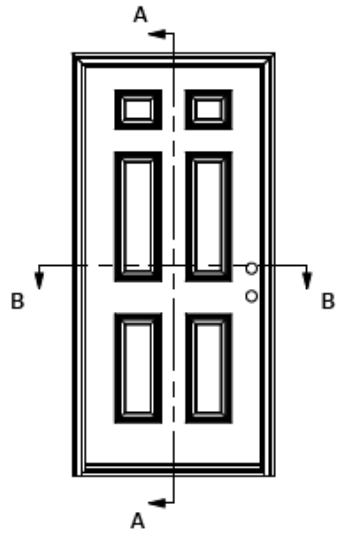




Vertical Section A-A



Horizontal Section B-B



Exterior View LH  
Not to Scale

Bill of Materials			
Item	Qty	Part Number	Part Description
1	3	TBD	Composite 6 9-16" Jamb
2	1	TBD	Sweep
3	3	TBD	Weather Strip
4	3	TBD	Hinge
5	3	TBD	Brickmould
6	1	TBD	Std Nosing
7	1	TBD	Steel 6 Panel Slab
8	1	TBD	Hight Performance Sill

	Drawn by: <b>Leonardo Torres</b>	Date: <b>4/17/2023</b>	Title: <b>Single Entry Door - Section View</b>
	Checked by:	Date:	
	Approved by:	Date:	
Dimensions in inches, Specified Tolerances: 0.00 ± 0.062 0.000 ± 0.005 X/X ± 1/16 X° ± 1°		Sheet Size: <b>A</b>	Scale: <b>1/3</b>

7002 Single Door with Transom

Available standard sizes.

<u>Threshold Option</u>	<u>Frame Height (FH)</u>		<u>Slab Height (SH)</u>	<u>Overall Frame Height for systems with transoms</u>
	Nominal	Actual		
Inswing	6' 8"	82.25 in	79 in	OA FH = FH + Transom Height  For example: OA FH = 81.75 in + 10 in = 91.75 in
	8' 0"	'	95 in	
Outswing	6' 8"	81.5 in	79 in	
	8' 0"	97.5 in	95 in	
ADA (Wheelchair)	6' 8"	81.125 in	79 in	
	8' 0"	97.125 in	95 in	

\*Custom height slabs available. Certain restrictions apply. Please contact preferred dealer for more detailed information.

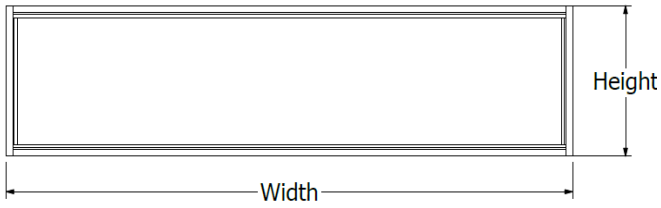
<u>Frame Width (FW)</u>	<u>Slab Width (SW)</u>	
	Nominal	Actual
31.5 in	2' 6"	29.75 in
33.5 in	2' 8"	31.75 in
35.5 in	2' 10"	33.75 in
37.5 in	3' 0"	35.75 in
43.5 in	**3' 6"	41.75 in

\*Custom width slabs available. Certain restrictions apply. Please contact preferred dealer for more detailed information.

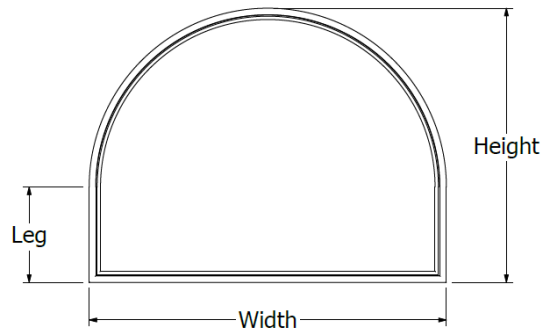
\*\*Certain restrictions apply. Please contact preferred dealer for more detailed information.

- Transom Options

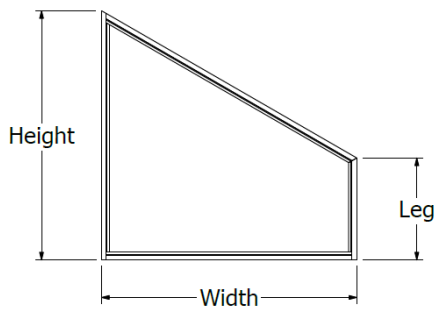
- Rectangular



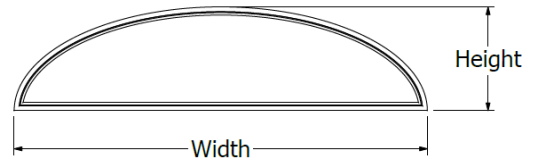
- Extended Arch



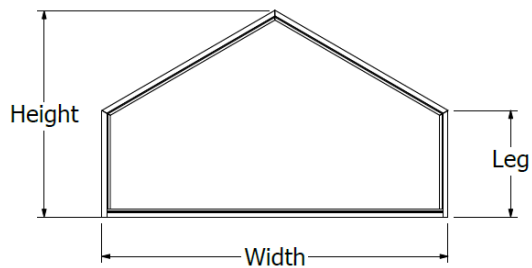
- Trapezoid



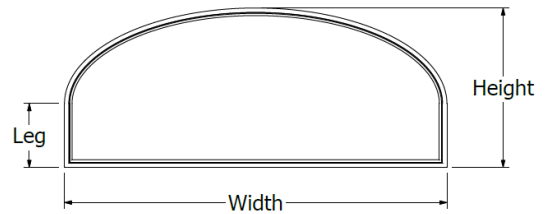
- True Ellipse



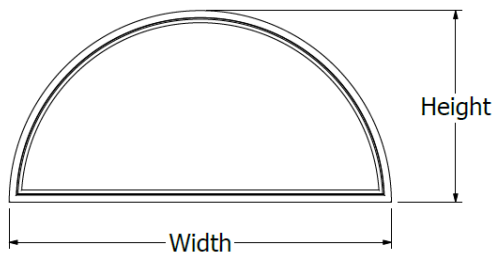
- Pentagon

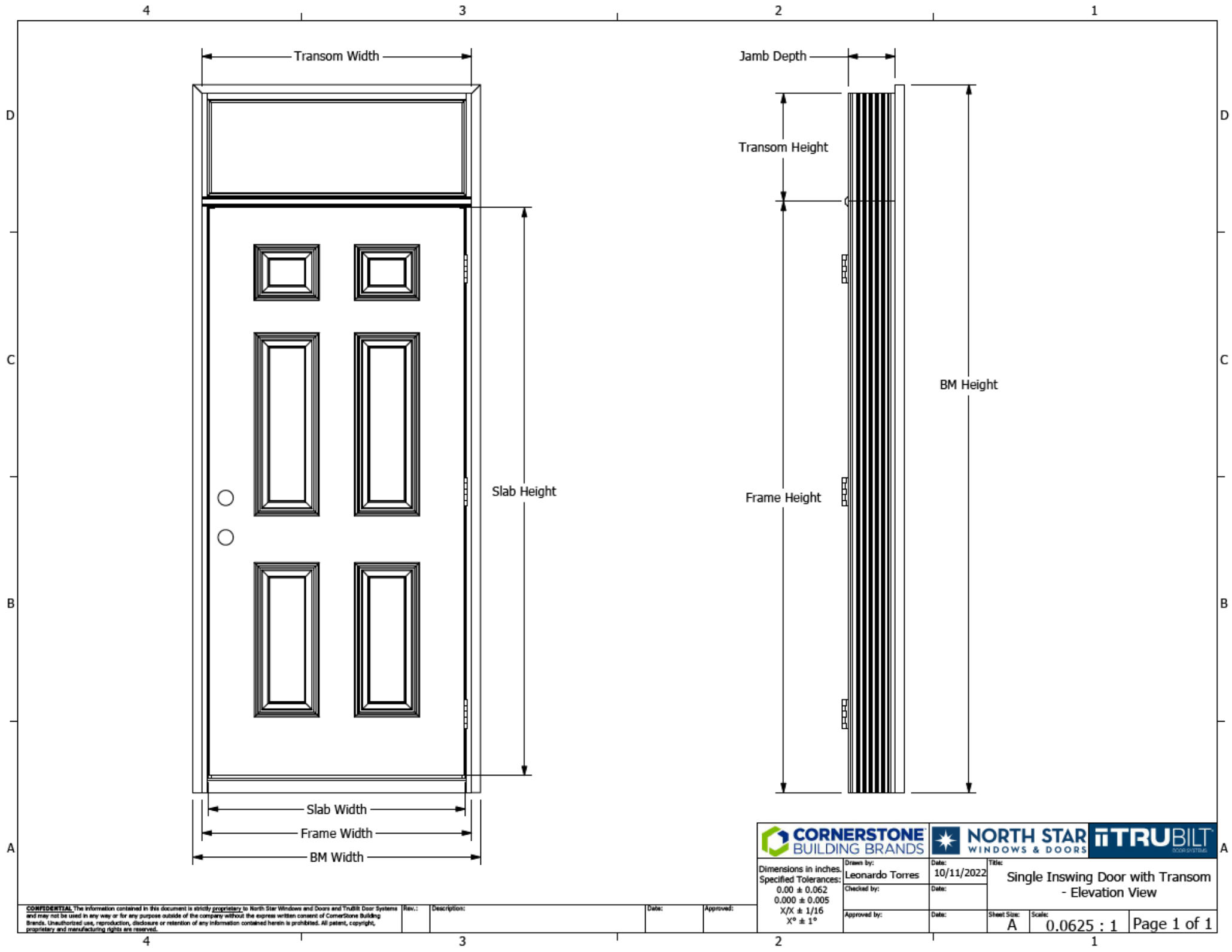


- Ellipse Top



- Half Arch

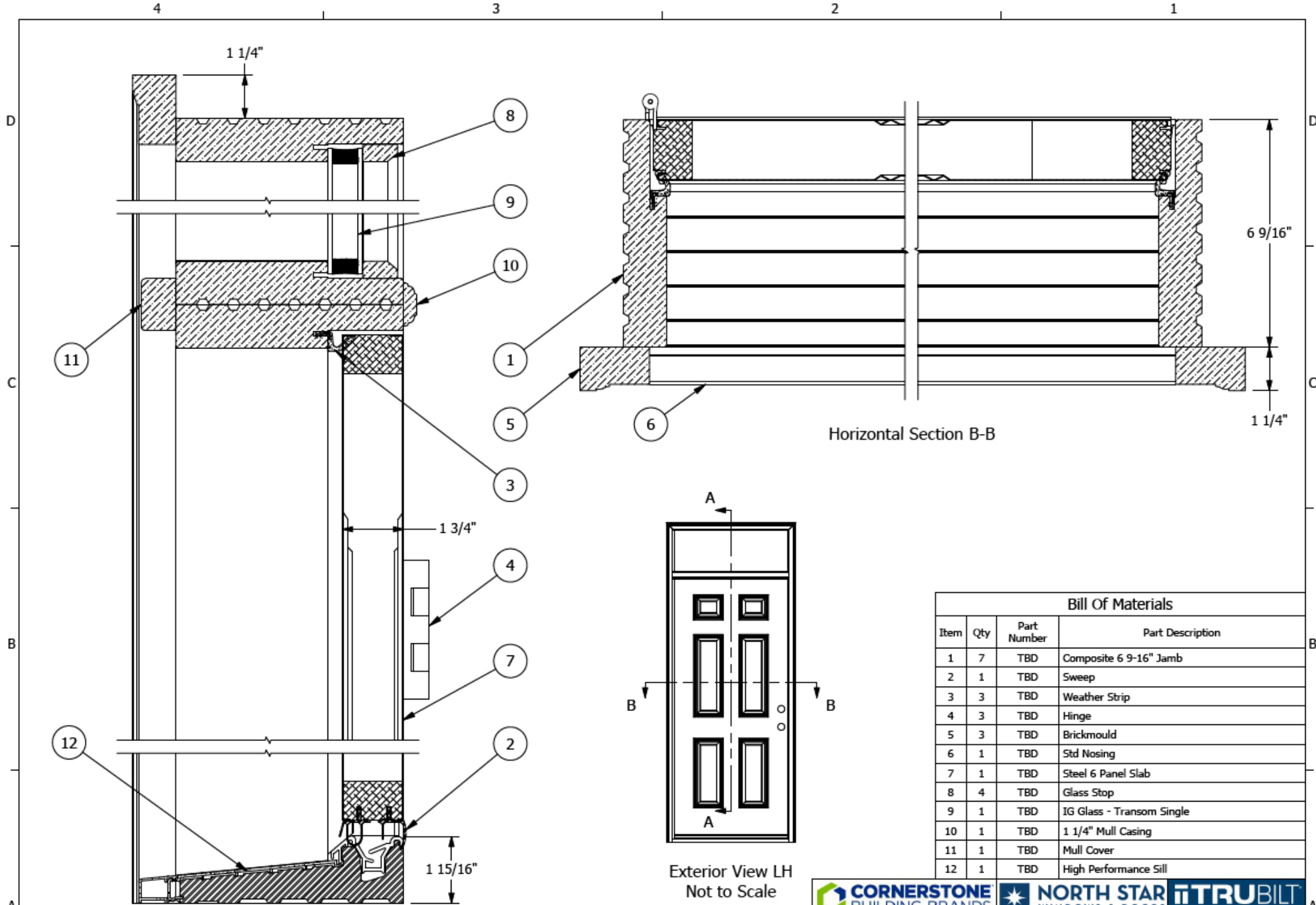




Dimensions in inches: Specified Tolerances: 0.00 ± 0.062 0.000 ± 0.005 X/X ± 1/16 X° ± 1°		Drawn by: Leonardo Torres	Date: 10/11/2022	Title: Single Inswing Door with Transom - Elevation View	
		Checked by:	Date:	Sheet Size: A	Scale: 0.0625 : 1
		Approved by:	Date:	Page 1 of 1	

**CONFIDENTIAL** The information contained in this document is strictly proprietary to North Star Windows and Doors and TruBilt Door Systems and may not be used in any way or for any purpose outside of the company without the express written consent of CornerStone Building Brands. Unauthorized use, reproduction, disclosure or retention of any information contained herein is prohibited. All patent, copyright, proprietary and manufacturing rights are reserved.

Rev.: \_\_\_\_\_ Description: \_\_\_\_\_ Date: \_\_\_\_\_ Approved: \_\_\_\_\_



Bill Of Materials			
Item	Qty	Part Number	Part Description
1	7	TBD	Composite 6 9-16" Jamb
2	1	TBD	Sweep
3	3	TBD	Weather Strip
4	3	TBD	Hinge
5	3	TBD	Brickmould
6	1	TBD	Std Nosing
7	1	TBD	Steel 6 Panel Slab
8	4	TBD	Glass Stop
9	1	TBD	IG Glass - Transom Single
10	1	TBD	1 1/4" Mull Casing
11	1	TBD	Mull Cover
12	1	TBD	High Performance Sill

	Drawn by: <b>Leonardo Torres</b>	Date: <b>4/17/2023</b>	Title: <b>2.- Single IS Door with Transom</b>
	Checked by:	Date:	Sheet Size: <b>A</b>
	Approved by:	Date:	Scale: <b>9/32</b>

**CONFIDENTIAL** The information contained in this document is strictly proprietary to North Star Windows and Doors and TruBilt Door Systems and may not be used in any way or for any purpose outside of the company without the express written consent of Cornerstone Building Brands. Unauthorized use, reproduction, disclosure or retention of any information contained herein is prohibited. All patent, copyright, proprietary and manufacturing rights are reserved.

7003 Single Door with Single Sidelite

Available standard sizes.

<u>Threshold Option</u>	<u>Frame Height (FH)</u>		<u>Slab Height (SH)</u>
	Nominal	Actual	
Inswing	6' 8"	82.25 in	79 in
	8' 0"	98.25 in	95 in
Outswing	6' 8"	81.5 in	79 in
	8' 0"	97.5 in	95 in
ADA (Wheelchair)	6' 8"	81.125 in	79 in
	8' 0"	97.125 in	95 in

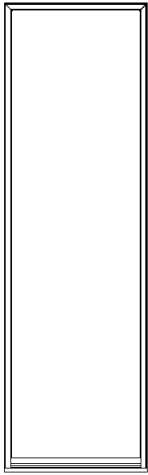
\*Custom height slabs available. Certain restrictions apply. Please contact preferred dealer for more detailed information.

<u>Frame Width (FW)</u>	<u>Slab Width (SW)</u>		<u>Overall Frame Width for systems with sidelites</u>
	Nominal	Actual	
31.5 in	2' 6"	29.75 in	OA FW = FW + Sidelite Width
33.5 in	2' 8"	31.75 in	
35.5 in	2' 10"	33.75 in	
37.5 in	3' 0"	35.75 in	
43.5 in	**3' 6"	41.75 in	

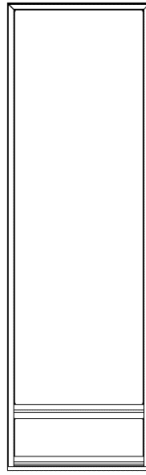
\*Custom width slabs available. Certain restrictions apply. Please contact preferred dealer for more detailed information.

\*\*Certain restrictions apply. Please contact preferred dealer for more detailed information.

- Sidelite Options



Direct Set



Direct Set with Kick Panel



Panel Set

- Direct Set Sidelites

Kick panel option top and bottom also available  
 Maximum glass size limited to 20 ft<sup>2</sup>.

- Panel Set Sidelites

<u>Frame Height (FH)</u>		<u>Panel Height (SH)</u>
Nominal	Actual	
6' 8"	82.25 in	79 in
8' 0"	98.25 in	95 in

\*Custom height sidelites available. Certain restrictions apply. Please contact preferred dealer for more detailed information.

<u>Sidelite Frame Width (SW)</u>	<u>Sidelite Panel Width (PW)</u>	
	Nominal	Actual
13.4375 in	1' 0"	11.875 in
15.4375 in	1' 2"	13.875 in
19.4375 in	1' 6"	17.875 in

\*Custom width sidelites available. Certain restrictions apply. Please contact preferred dealer for more detailed information.

4

3

2

1

D

D

C

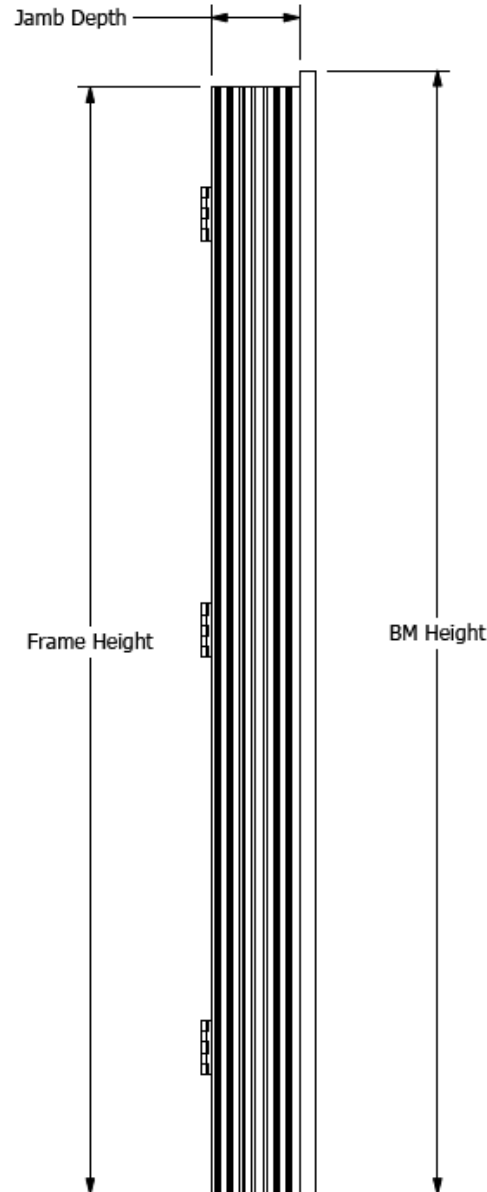
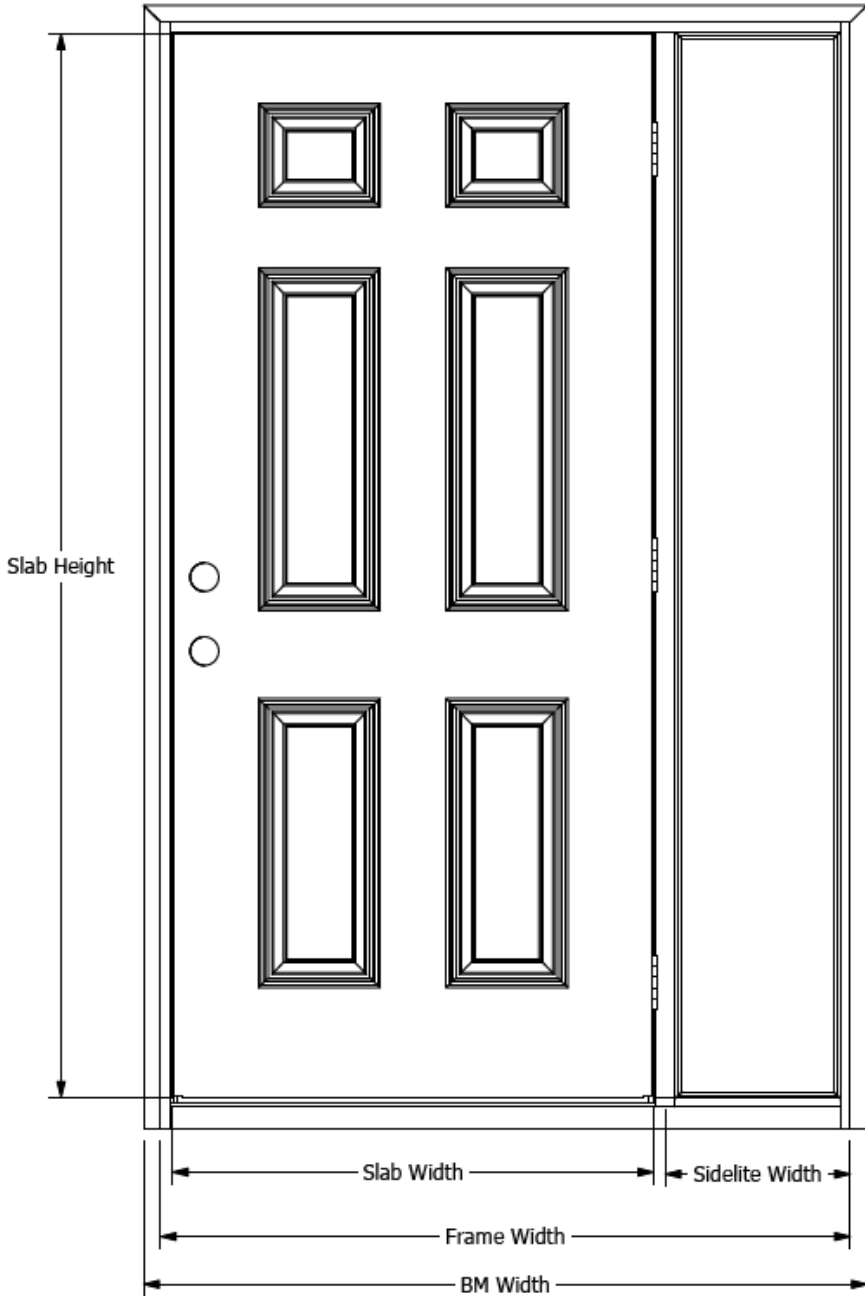
C

B

B

A

A



	Drawn by: Leonardo Torres Checked by: Approved by:	Date: 10/11/2022 Date: Date:	Title: <b>Single Inswing Door with Single Sidelite - Elevation View</b>
	Dimensions in inches: Specified Tolerances: 0.00 ± 0.062 0.000 ± 0.005 X/X ± 1/16 X° ± 1°	Sheet Size: A Scale: 0.07 : 1	Page 1 of 1

CONFIDENTIAL: The information contained in this document is strictly proprietary to North Star Windows and Doors and TruBilt Door Systems and may not be used in any way or for any purpose outside of the company without the express written consent of Cornerstone Building Brands. Unauthorized use, reproduction, disclosure or retention of any information contained herein is prohibited. All patent, copyright, proprietary and manufacturing rights are reserved.

4

3

2

1



D

C

B

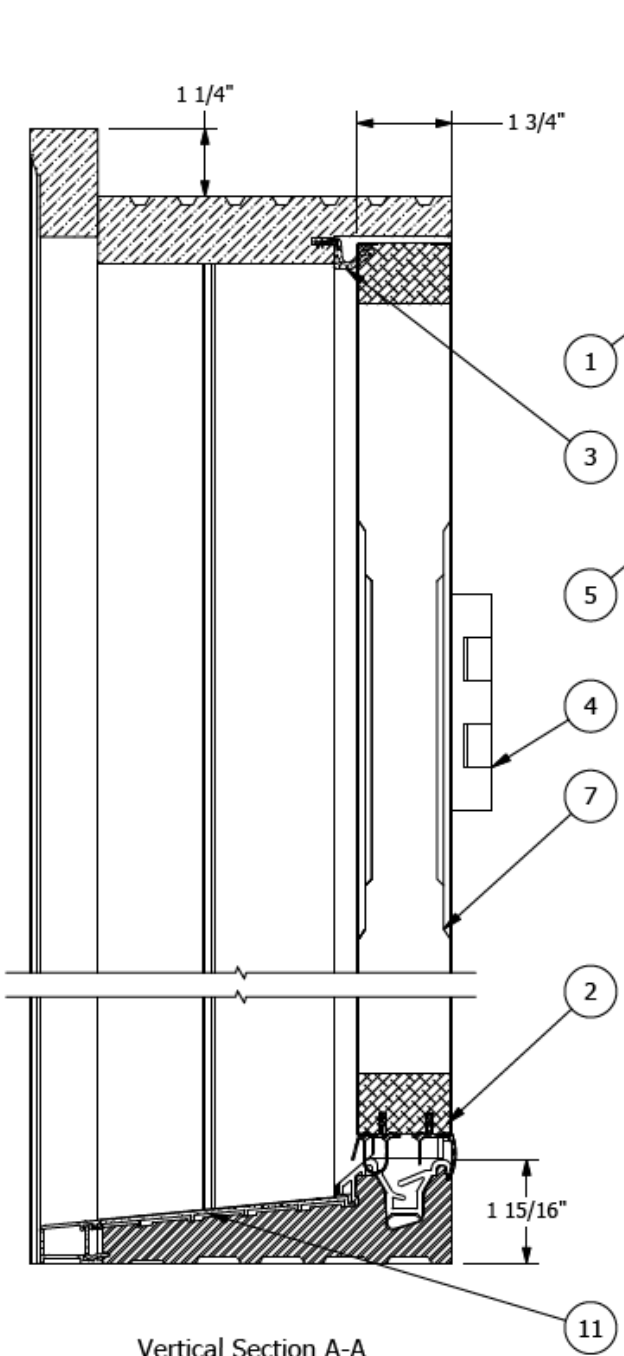
A

D

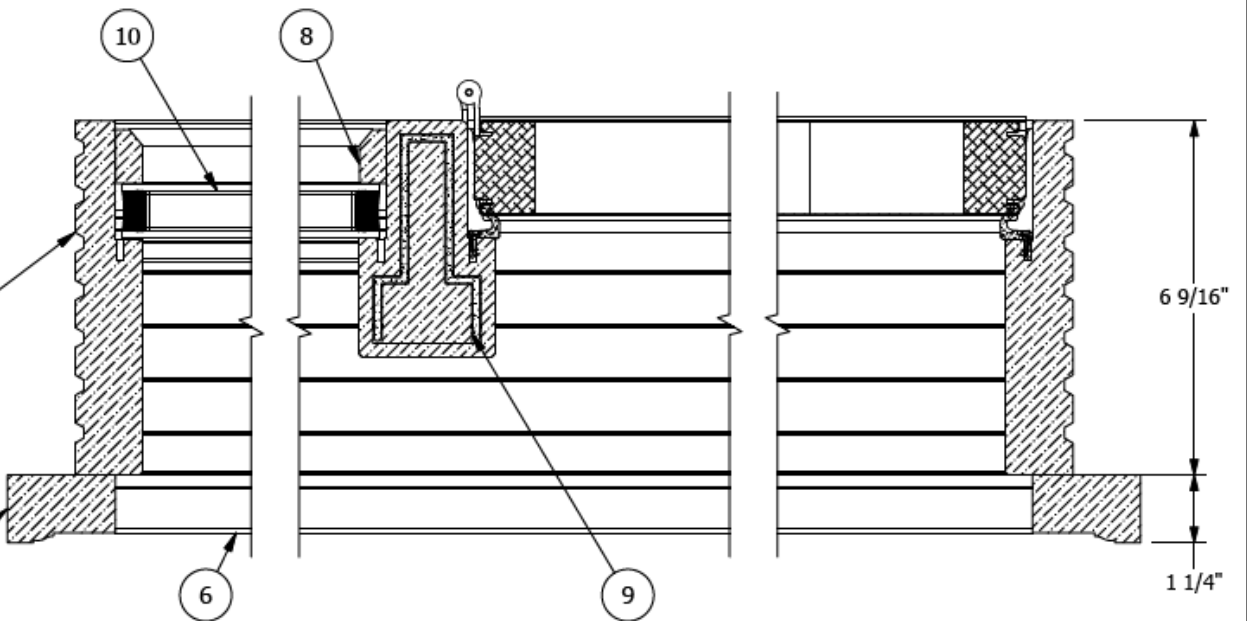
C

B

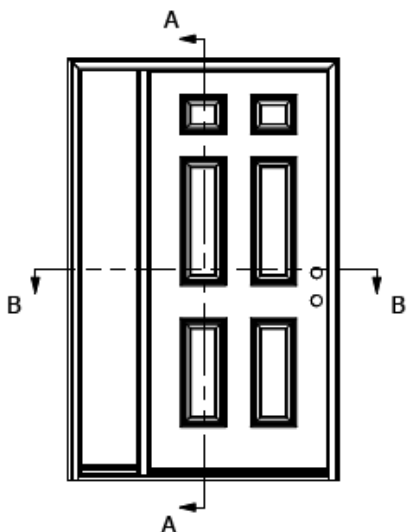
A



Vertical Section A-A



Horizontal Section B-B



Exterior View LH  
Not to Scale

Bill of Materials			
Item	Qty	Part Number	Part Description
1	3	TBD	Composite 6 9-16" Jamb
2	1	TBD	Sweep
3	3	TBD	Weather Strip
4	3	TBD	Hinge
5	3	TBD	Brickmould
6	1	TBD	Std Nosing
7	1	TBD	Steel 6 Panel Slab
8	4	TBD	Glass Stop
9	1	TBD	Alum Reinforced Post
10	1	TBD	IG Glass
11	1	TBD	High Performance Sill

	Dimensions in inches. Specified Tolerances: 0.00 ± 0.062 0.000 ± 0.005 X/X ± 1/16 X° ± 1°		
	Drawn by: <b>Leonardo Torres</b>	Date: <b>6/16/2022</b>	Title: <b>3.- Single IS Door with Single Sidelite</b>
	Checked by:	Date:	Sheet Size: <b>A</b>
Approved by:	Date:	Scale: <b>9/32</b>	

7004 Single Door with Single Sidelite and Transom

Available standard sizes.

<u>Threshold Option</u>	<u>Frame Height (FH)</u>		<u>Slab Height (SH)</u>	<u>Overall Frame Height for systems with transoms</u>
	Nominal	Actual		
Inswing	6' 8"	82.25 in	79 in	OA FH = FH + Transom Height  For example: OA FH = 81.75 in + 10 in = 91.75 in
	8' 0"	98.25 in	95 in	
Outswing	6' 8"	81.5 in	79 in	
	8' 0"	97.5 in	95 in	
ADA (Wheelchair)	6' 8"	81.125 in	79 in	
	8' 0"	97.125 in	95 in	

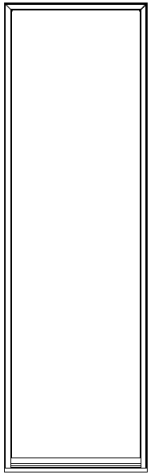
\*Custom height slabs available. Certain restrictions apply. Please contact preferred dealer for more detailed information.

<u>Frame Width (FW)</u>	<u>Slab Width (SW)</u>		<u>Overall Frame Width for systems with sidelites</u>
	Nominal	Actual	
31.5 in	2' 6"	29.75 in	OA FW = FW + Sidelite Width
33.5 in	2' 8"	31.75 in	
35.5 in	2' 10"	33.75 in	
37.5 in	3' 0"	35.75 in	
43.5 in	**3' 6"	41.75 in	

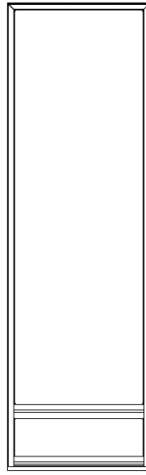
\*Custom width slabs available. Certain restrictions apply. Please contact preferred dealer for more detailed information.

\*\*Certain restrictions apply. Please contact preferred dealer for more detailed information.

- Sidelite Options



Direct Set



Direct Set with Kick Panel



Panel Set

- Direct Set Sidelites

Kick panel option top and bottom also available  
 Maximum glass size limited to 20 ft<sup>2</sup>.

- Panel Set Sidelites

<u>Frame Height (FH)</u>		<u>Panel Height (SH)</u>
Nominal	Actual	
6' 8"	82.25 in	79 in
8' 0"	98.25 in	95 in

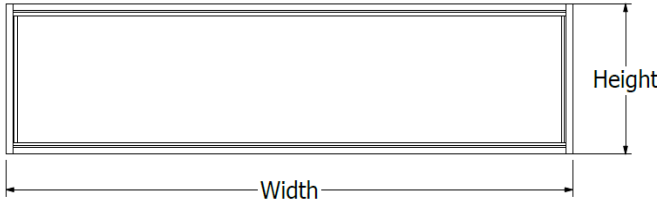
\*Custom height sidelites available. Certain restrictions apply. Please contact preferred dealer for more detailed information.

<u>Sidelite Frame Width (SW)</u>	<u>Sidelite Panel Width (PW)</u>	
	Nominal	Actual
13.4375 in	1' 0"	11.875 in
15.4375 in	1' 2"	13.875 in
19.4375 in	1' 6"	17.875 in

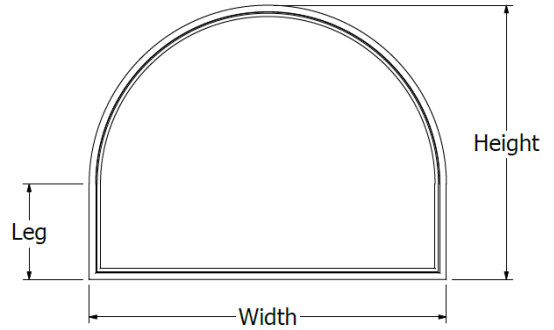
\*Custom width sidelites available. Certain restrictions apply. Please contact preferred dealer for more detailed information.

• **Transom Options**

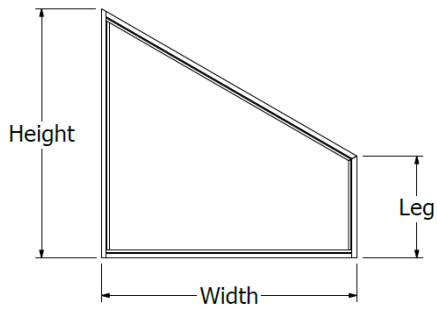
– **Rectangular**



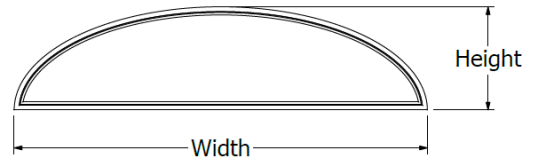
– **Extended Arch**



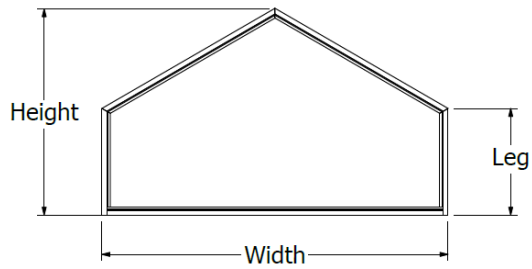
– **Trapezoid**



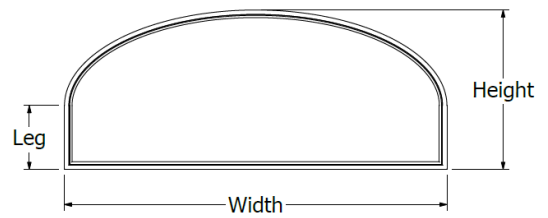
– **True Ellipse**



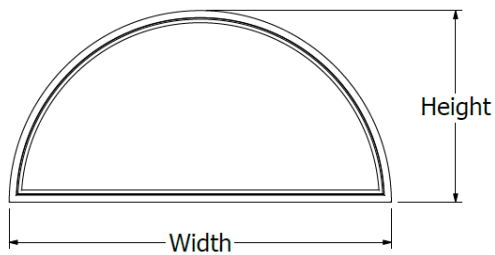
– **Pentagon**

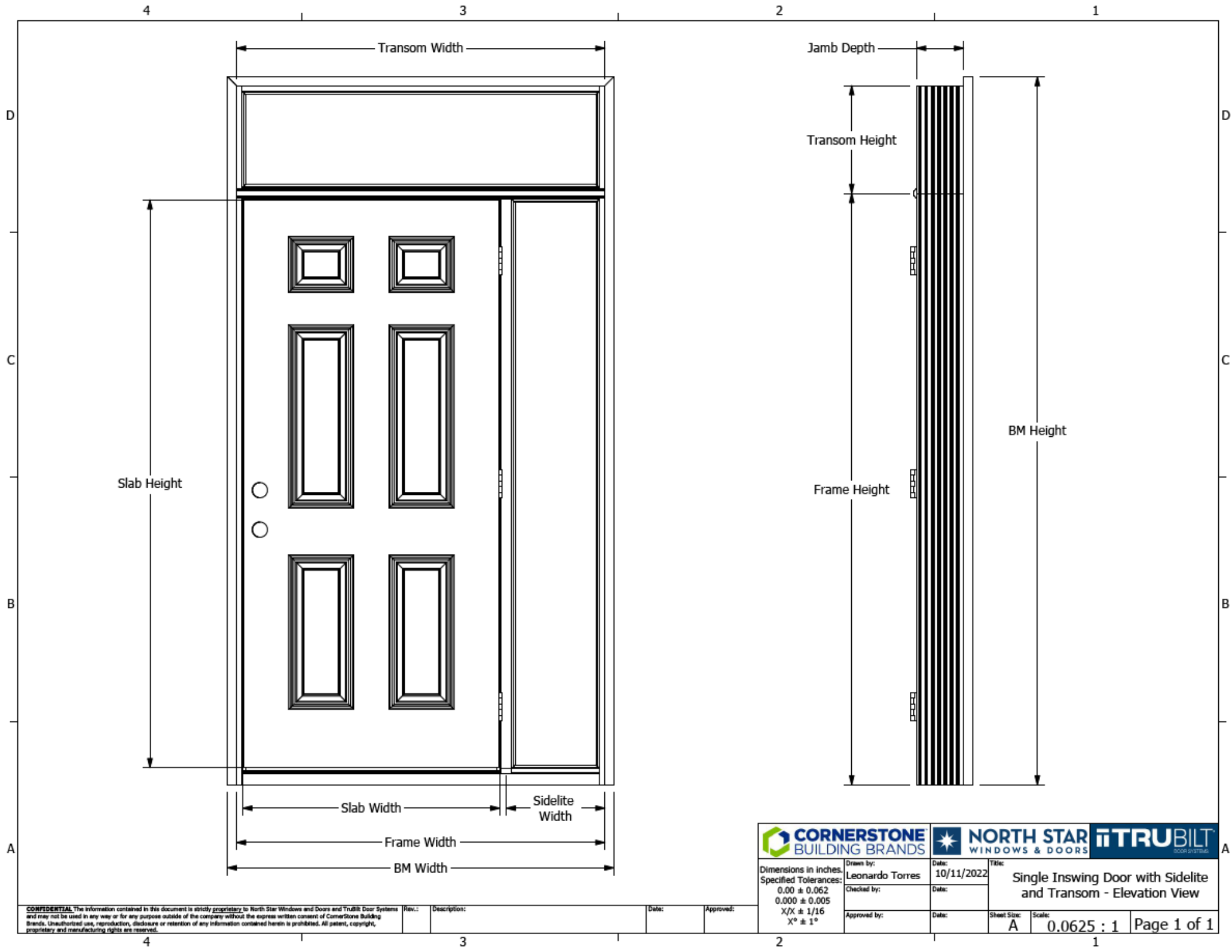


– **Ellipse Top**



– **Half Arch**





Slab Height

Transom Width

Jamb Depth

Transom Height

Frame Height

BM Height

Slab Width

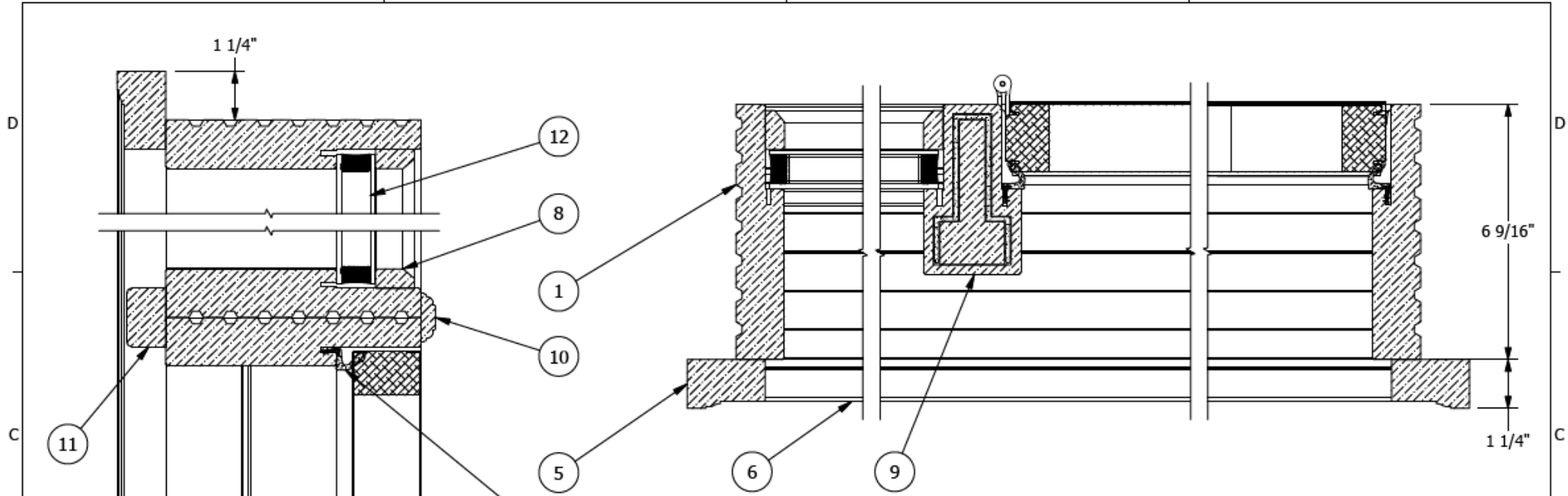
Sidelite Width

Frame Width

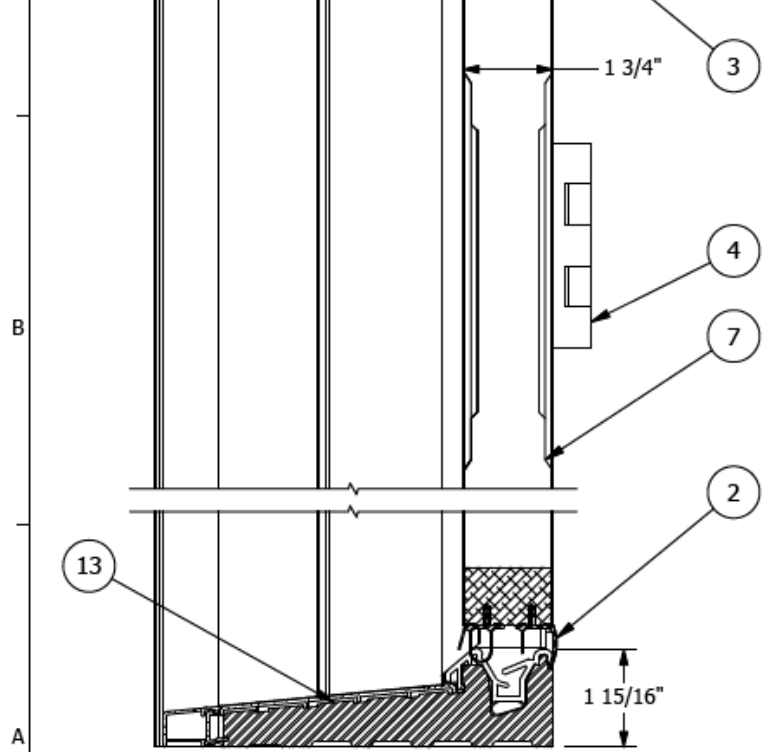
BM Width

	<p>Single Inswing Door with Sidelite and Transom - Elevation View</p>		
	<p>Drawn by: Leonardo Torres</p>	<p>Date: 10/11/2022</p>	<p>Sheet Size: A</p>
	<p>Checked by:</p>	<p>Date:</p>	<p>Scale: 0.0625 : 1</p>
<p>Approved by:</p>	<p>Date:</p>	<p>Page 1 of 1</p>	

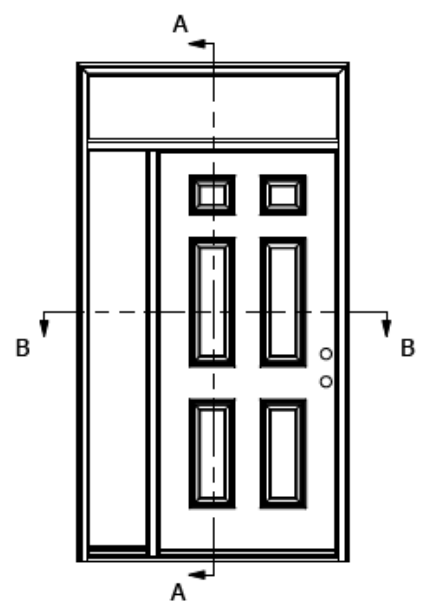
**CONFIDENTIAL** The information contained in this document is strictly proprietary to North Star Windows and Doors and TruBilt Door Systems and may not be used in any way or for any purpose outside of the company without the express written consent of CornerStone Building Brands. Unauthorized use, reproduction, disclosure or retention of any information contained herein is prohibited. All patent, copyright, proprietary and manufacturing rights are reserved.



Horizontal Section B-B



Vertical Section A-A



Exterior View LH  
Not to Scale

Bill of Materials			
Item	Qty	Part Number	Part Description
1	7	TBD	Composite 6 9-16" Jamb
2	1	TBD	Sweep
3	3	TBD	Weather Strip
4	3	TBD	Hinge
5	3	TBD	Brickmould
6	1	TBD	Std Nosing
7	1	TBD	Steel 6 Panel Slab
8	8	TBD	Glass Stop
9	1	TBD	Alum Reinforced Post
10	1	TBD	1 1/4" Mull Casing
11	1	TBD	Mull Cover
12	1	TBD	IG Glass
13	1	TBD	High Performance Sill

	Drawn by: Leonardo Torres	Date: 6/16/2022			Title: <b>4.- Single IS, Single Sidelite and Transom</b>
	Checked by:  	Date:  			
Dimensions in Inches. Specified Tolerances: 0.00 ± 0.062 0.000 ± 0.005 X/X ± 1/16 X° ± 1°	Approved by:  	Date:  	Sheet Size: <b>A</b>	Scale: <b>17/64</b>	Page 1 of 1

CONFIDENTIAL: The information contained in this document is strictly proprietary to North Star Windows and Doors and TruBilt Door Systems and may not be used in any way or for any purpose outside of the company without the express written consent of Cornerstone Building Brands. Unauthorized use, reproduction, disclosure or retention of any information contained herein is prohibited. All patent, copyright, proprietary and manufacturing rights are reserved.

7005 Single Door with Double Sidelite

Available standard sizes.

<u>Threshold Option</u>	<u>Frame Height (FH)</u>		<u>Slab Height (SH)</u>
	Nominal	Actual	
Inswing	6' 8"	82.25 in	79 in
	8' 0"	98.25 in	95 in
Outswing	6' 8"	81.5 in	79 in
	8' 0"	97.5 in	95 in
ADA (Wheelchair)	6' 8"	81.125 in	79 in
	8' 0"	97.125 in	95 in

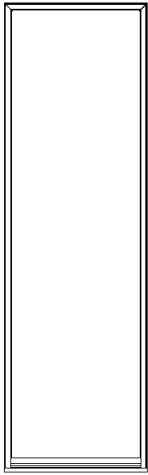
\*Custom height slabs available. Certain restrictions apply. Please contact preferred dealer for more detailed information.

<u>Frame Width (FW)</u>	<u>Slab Width (SW)</u>		<u>Overall Frame Width for systems with sidelites</u>
	Nominal	Actual	
31.5 in	2' 6"	29.75 in	OA FW = FW + (2 x Sidelite Width)
33.5 in	2' 8"	31.75 in	
35.5 in	2' 10"	33.75 in	
37.5 in	3' 0"	35.75 in	
43.5 in	**3' 6"	41.75 in	

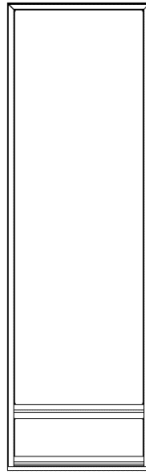
\*Custom width slabs available. Certain restrictions apply. Please contact preferred dealer for more detailed information.

\*\*Certain restrictions apply. Please contact preferred dealer for more detailed information.

- Sidelite Options



Direct Set



Direct Set with Kick Panel



Panel Set

- Direct Set Sidelites

Kick panel option top and bottom also available  
 Maximum glass size limited to 20 ft<sup>2</sup>

- Panel Set Sidelites

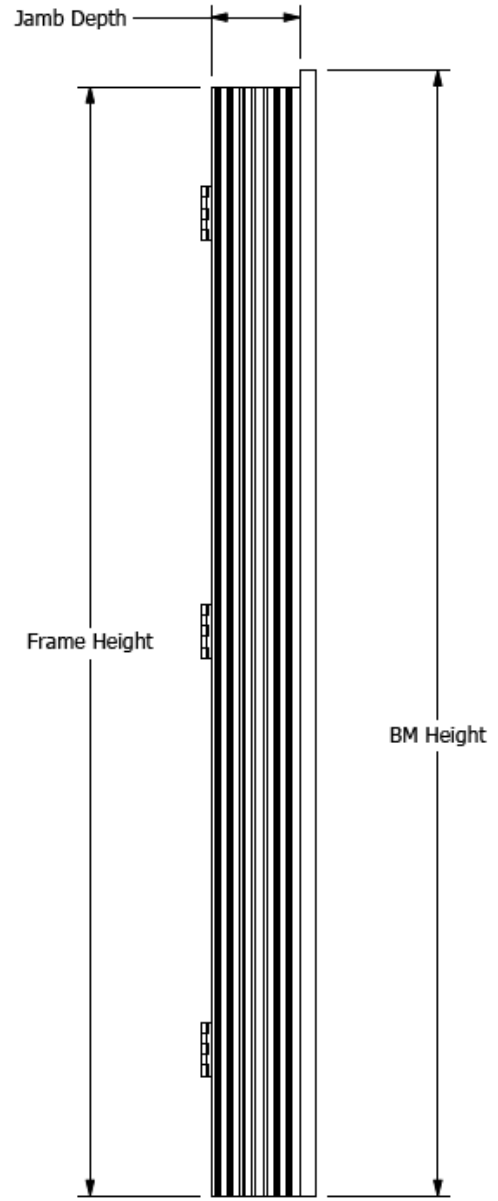
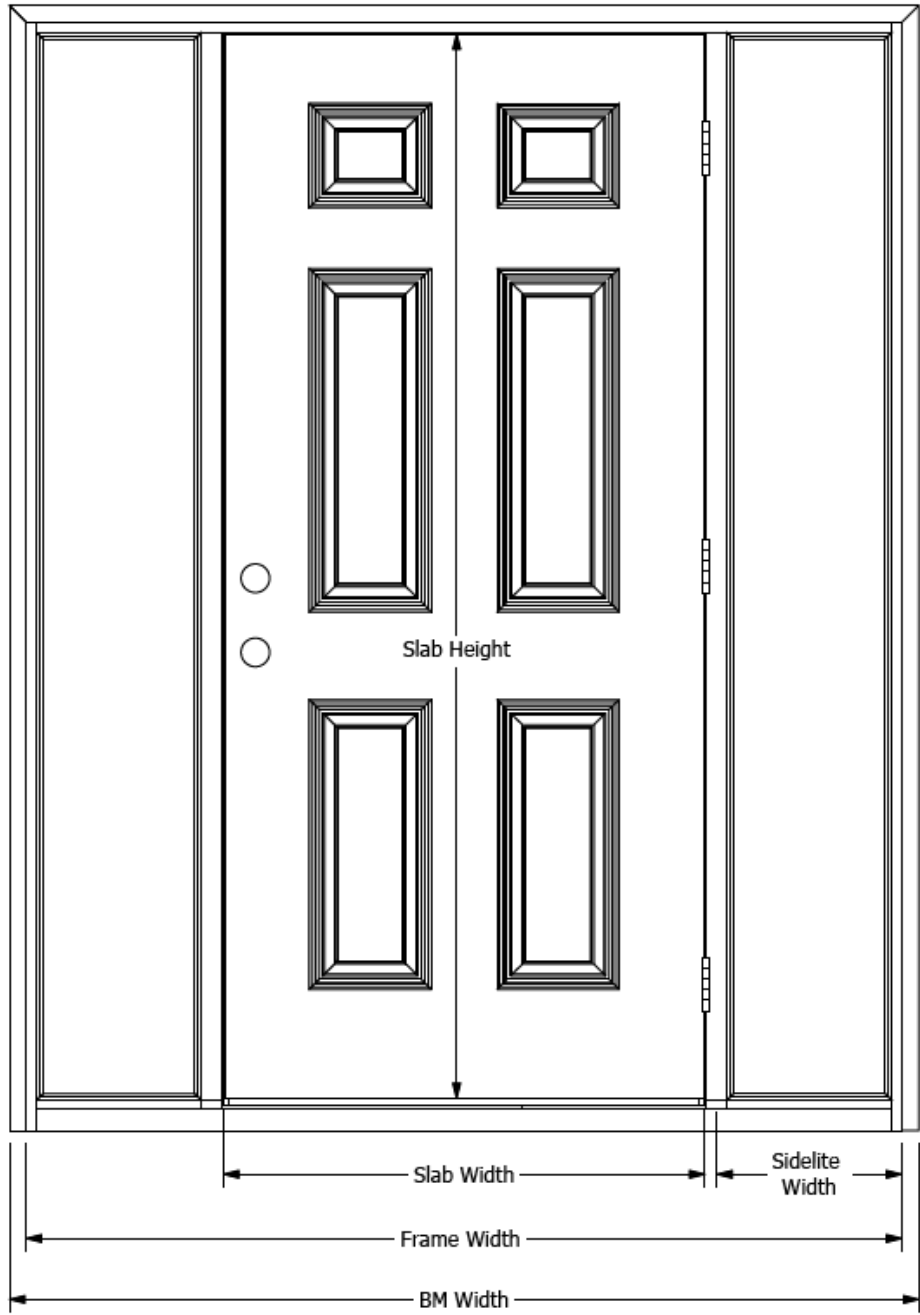
<u>Frame Height (FH)</u>		<u>Panel Height (SH)</u>
Nominal	Actual	
6' 8"	82.25 in	79 in
8' 0"	98.25 in	95 in

\*Custom height sidelites available. Certain restrictions apply. Please contact preferred dealer for more detailed information.

<u>Sidelite Frame Width (SW)</u>	<u>Sidelite Panel Width (PW)</u>	
	Nominal	Actual
13.4375 in	1' 0"	11.875 in
15.4375 in	1' 2"	13.875 in
19.4375 in	1' 6"	17.875 in

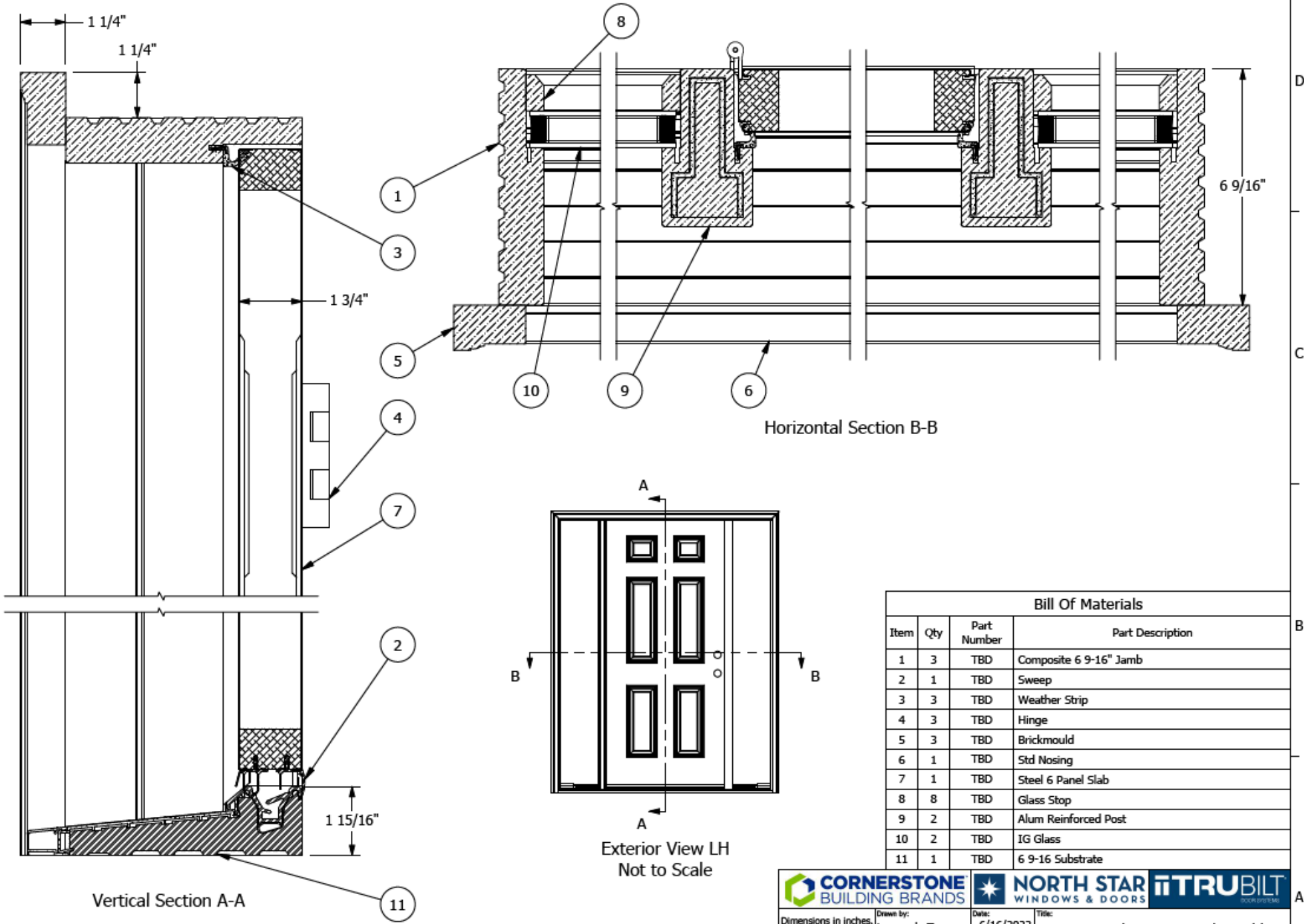
\*Custom width sidelites available. Certain restrictions apply. Please contact preferred dealer for more detailed information.





	Single Inswing Door with Double Sidelite - Elevation View	
Dimensions in inches: Specified Tolerances: 0.00 ± 0.062 0.000 ± 0.005 X/X ± 1/16 X° ± 1°	Drawn by: Leonardo Torres Checked by: Approved by:	Date: 10/11/2022 Date: Date:
		Sheet Size: A Scale: 0.07 : 1 Page 1 of 1

**CONFIDENTIAL** The information contained in this document is strictly proprietary to North Star Windows and Doors and TruBilt Door Systems and may not be used in any way or for any purpose outside of the company without the express written consent of CornerStone Building Brands. Unauthorized use, reproduction, disclosure or retention of any information contained herein is prohibited. All patent, copyright, proprietary and manufacturing rights are reserved.



Bill of Materials			
Item	Qty	Part Number	Part Description
1	3	TBD	Composite 6 9-16" Jamb
2	1	TBD	Sweep
3	3	TBD	Weather Strip
4	3	TBD	Hinge
5	3	TBD	Brickmould
6	1	TBD	Std Nosing
7	1	TBD	Steel 6 Panel Slab
8	8	TBD	Glass Stop
9	2	TBD	Alum Reinforced Post
10	2	TBD	IG Glass
11	1	TBD	6 9-16 Substrate

	Drawn by: Leonardo Torres Checked by: Approved by:	Date: 6/16/2022 Date: Date:
Dimensions in inches, Specified Tolerances: 0.00 ± 0.062 0.000 ± 0.005 X/X ± 1/16 X° ± 1°	Sheet Size: A Scale: 9/32	Page 1 of 1

7006 Single Door with Double Sidelite and Transom

Available standard sizes.

<u>Threshold Option</u>	<u>Frame Height (FH)</u>		<u>Slab Height (SH)</u>	<u>Overall Frame Height for systems with transoms</u>
	Nominal	Actual		
Inswing	6' 8"	82.25 in	79 in	OA FH = FH + Transom Height  For example: OA FH = 81.75 in + 10 in = 91.75 in
	8' 0"	98.25 in	95 in	
Outswing	6' 8"	81.5 in	79 in	
	8' 0"	97.5 in	95 in	
ADA (Wheelchair)	6' 8"	81.125 in	79 in	
	8' 0"	97.125 in	95 in	

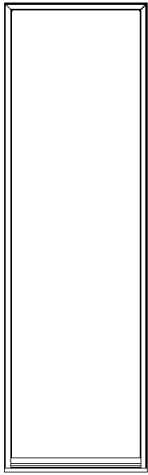
\*Custom height slabs available. Certain restrictions apply. Please contact preferred dealer for more detailed information.

<u>Frame Width (FW)</u>	<u>Slab Width (SW)</u>		<u>Overall Frame Width for systems with sidelites</u>
	Nominal	Actual	
31.5 in	2' 6"	29.75 in	OA FW = FW + (2 x Sidelite Width)
33.5 in	2' 8"	31.75 in	
35.5 in	2' 10"	33.75 in	
37.5 in	3' 0"	35.75 in	
43.5 in	**3' 6"	41.75 in	

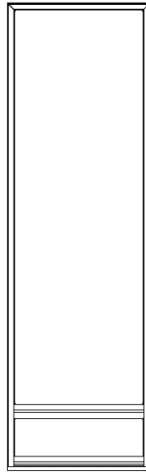
\*Custom width slabs available. Certain restrictions apply. Please contact preferred dealer for more detailed information.

\*\*Certain restrictions apply. Please contact preferred dealer for more detailed information.

- Sidelite Options



Direct Set



Direct Set with Kick Panel



Panel Set

- Direct Set Sidelites

Kick panel option top and bottom also available  
 Maximum glass size limited to 20 ft<sup>2</sup>.

- Panel Set Sidelites

<u>Frame Height (FH)</u>		<u>Panel Height (SH)</u>
Nominal	Actual	
6' 8"	82.25 in	79 in
8' 0"	98.25 in	95 in

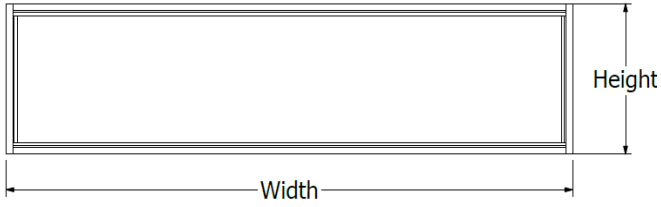
\*Custom height sidelites available. Certain restrictions apply. Please contact preferred dealer for more detailed information.

<u>Sidelite Frame Width (SW)</u>	<u>Sidelite Panel Width (PW)</u>	
	Nominal	Actual
13.4375 in	1' 0"	11.875 in
15.4375 in	1' 2"	13.875 in
19.4375 in	1' 6"	17.875 in

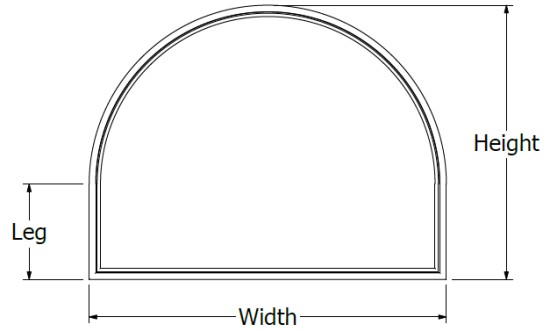
\*Custom width sidelites available. Certain restrictions apply. Please contact preferred dealer for more detailed information.

• Transom Options

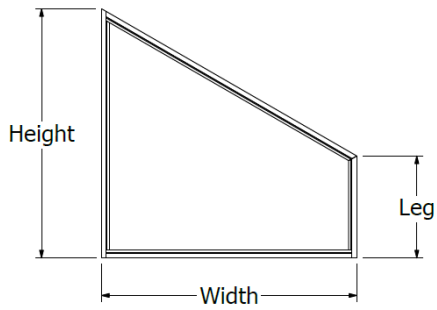
– Rectangular



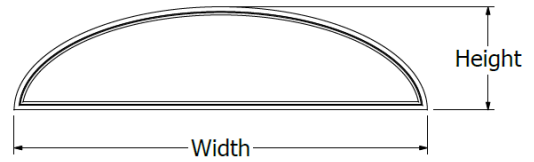
– Extended Arch



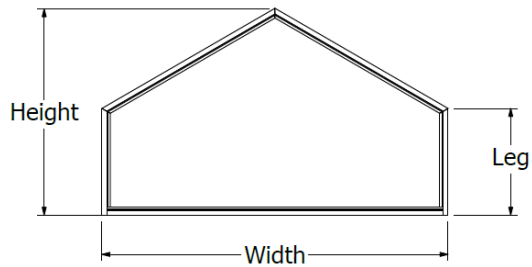
– Trapezoid



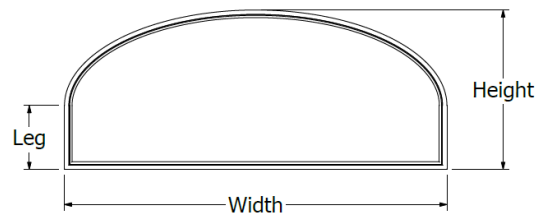
– True Ellipse



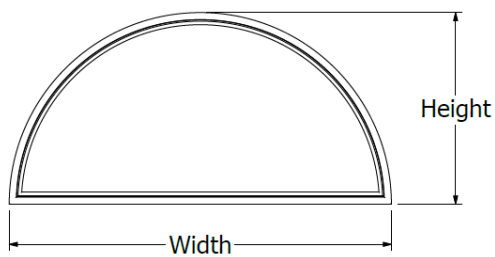
– Pentagon

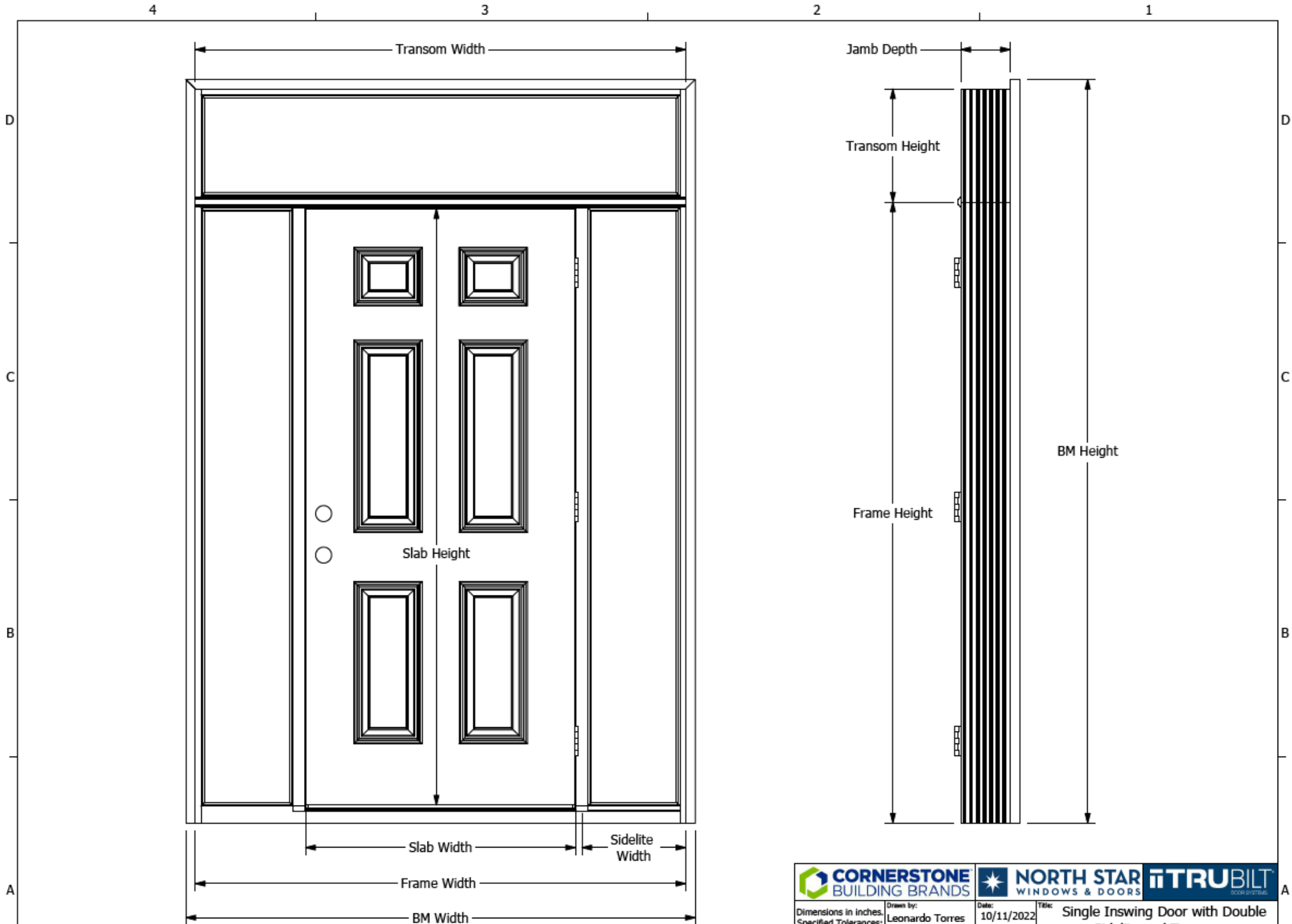


– Ellipse Top



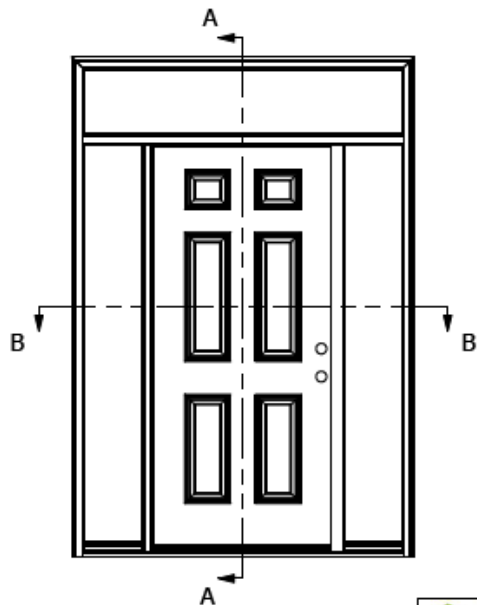
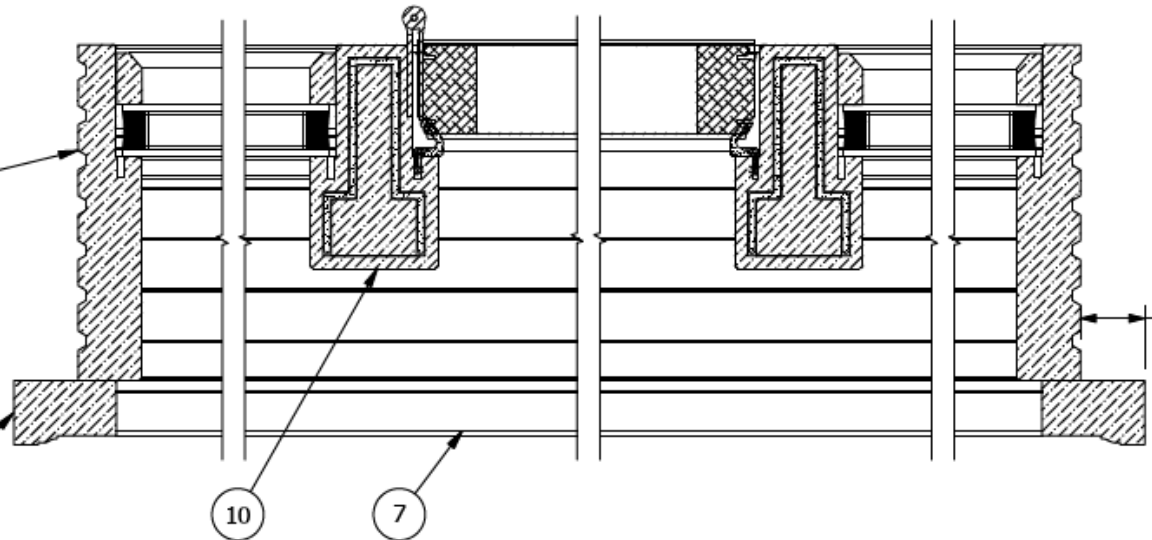
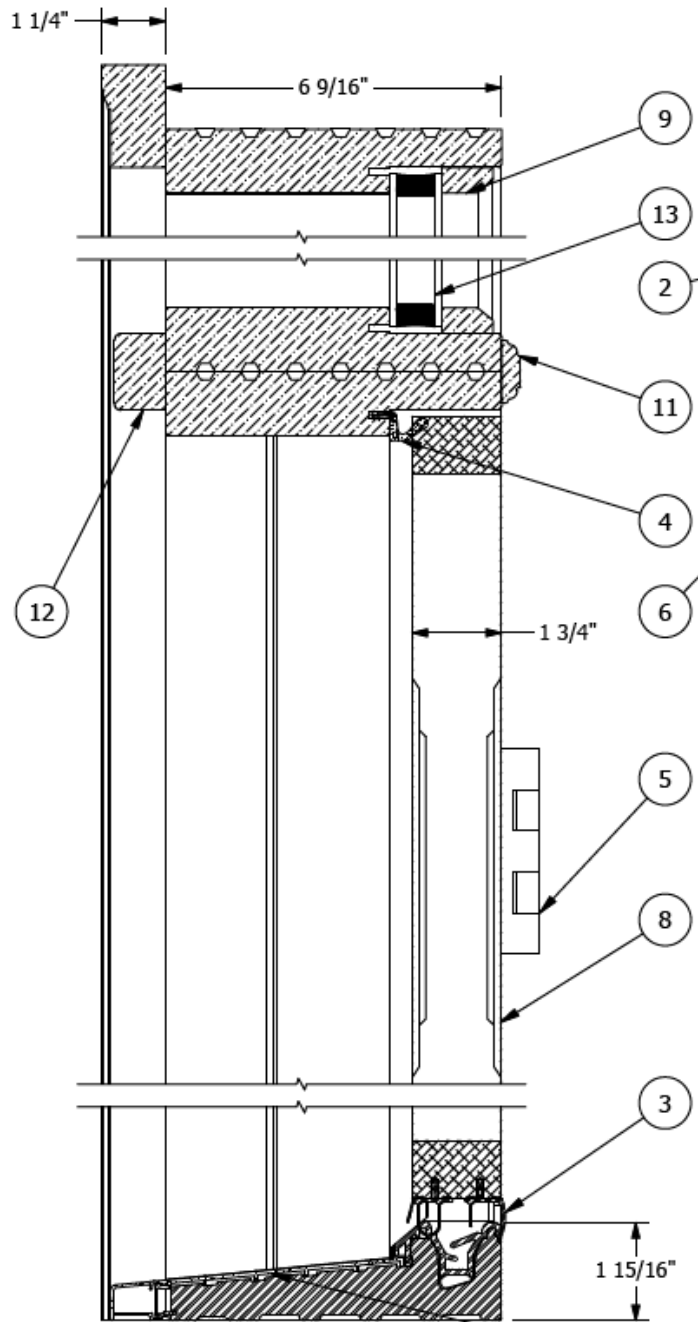
– Half Arch





Dimensions in inches. Specified Tolerances: 0.00 ± 0.062 0.000 ± 0.005 X/X ± 1/16 X° ± 1°		Drawn by: <b>Leonardo Torres</b>	Date: <b>10/11/2022</b>	Title: <b>Single Inswing Door with Double Sidelite and Transom - Elevation View</b>	
		Checked by:	Date:		
		Approved by:	Date:	Sheet Size: <b>A</b>	Scale: <b>0.0625 : 1</b>
				<b>Page 1 of 1</b>	

**CONFIDENTIAL** The information contained in this document is strictly proprietary to North Star Windows and Doors and TruBilt Door Systems and may not be used in any way or for any purpose outside of the company without the express written consent of CornerStone Building Brands. Unauthorized use, reproduction, disclosure or retention of any information contained herein is prohibited. All patent, copyright, proprietary and manufacturing rights are reserved.



Bill of Materials			
Item	Qty	Part Number	Part Description
1	1	TBD	High Performance Sill
2	7	TBD	Composite 6 9-16" Jamb
3	1	TBD	Sweep
4	3	TBD	Weather Strip
5	3	TBD	Hinge
6	3	TBD	Brickmould
7	1	TBD	Std Nosing
8	1	TBD	Steel 6 Panel Slab
9	12	TBD	Glass Stop
10	2	TBD	Alum Reinforced Post
11	1	TBD	1 1/4" Mull Casing
12	1	TBD	Mull Cover
13	1	TBD	IG Glass - Transom double

Drawn by: Leonardo Torres      Date: 6/16/2022  
 Checked by:      Date:      Title: 6.- Single IS, Double Sidelite and Transom  
 Approved by:      Date:      Sheet Size: A      Scale: 17/64

**CONFIDENTIAL** The information contained in this document is strictly proprietary to North Star Windows and Doors and TRUBILT Door Systems and may not be used in any way or for any purpose outside of the company without the express written consent of CornerStone Building Brands. Unauthorized use, reproduction, disclosure or retention of any information contained herein is prohibited. All patent, copyright, proprietary and manufacturing rights are reserved.

Rev.:      Description:      Date:      Approved:

7007 Double Door with Astragal

Available standard sizes.

<u>Threshold Option</u>	<u>Frame Height (FH)</u>		<u>Slab Height (SH)</u>
	Nominal	Actual	
Inswing	6' 8"	82.25 in	79 in
	8' 0"	98.25 in	95 in
Outswing	6' 8"	81.5 in	79 in
	8' 0"	97.5 in	95 in
ADA (Wheelchair)	6' 8"	81.125 in	79 in
	8' 0"	97.125 in	95 in

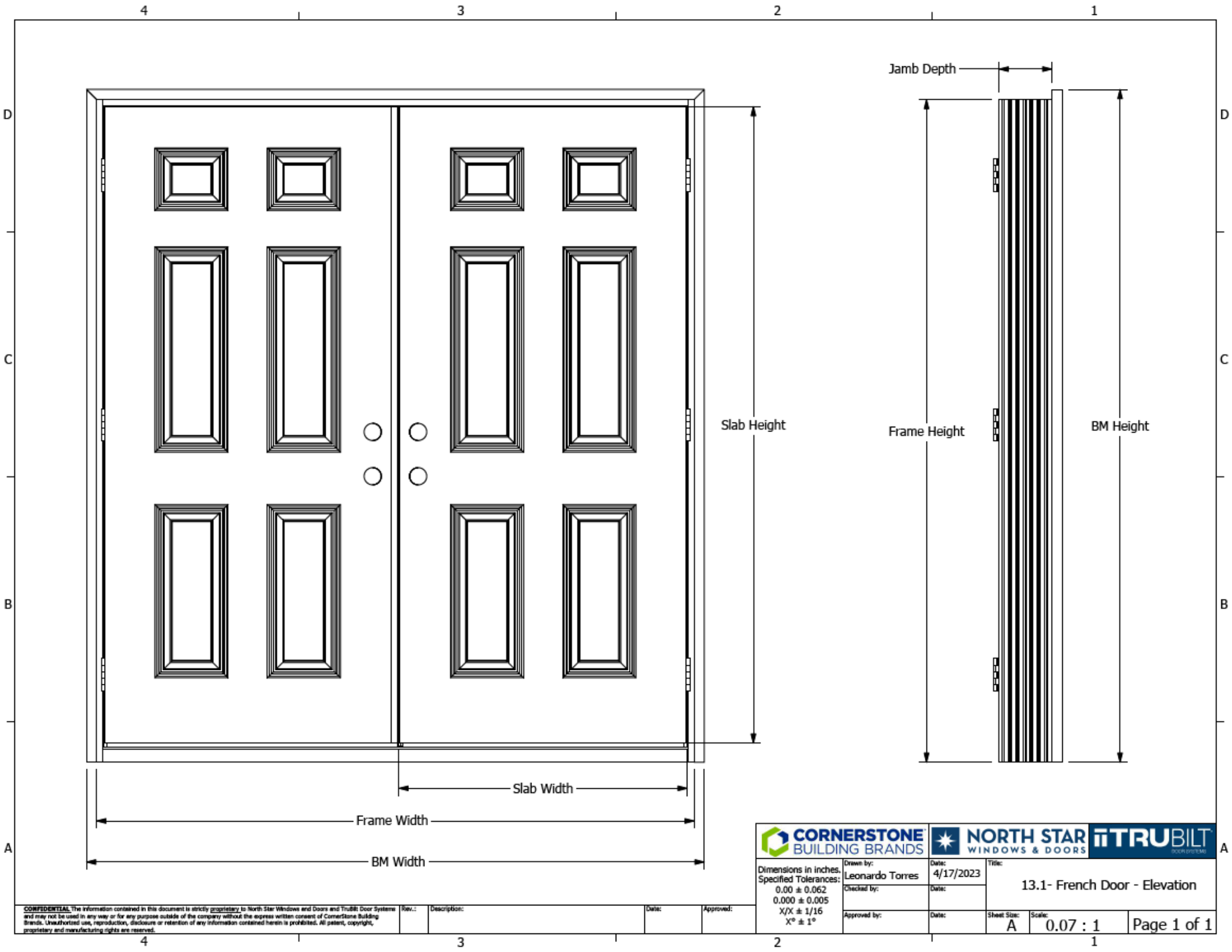
\*Custom height slabs available. Certain restrictions apply. Please contact preferred dealer for more detailed information.

<u>Frame Width (FW)</u>	<u>Slab Width (SW)</u>	
	Nominal	Actual
62.125 in	2' 6"	29.75 in
66.125 in	2' 8"	31.75 in
70.125 in	2' 10"	33.75 in
74.125 in	3' 0"	35.75 in
86.125 in	**3' 6"	41.75 in

\*Custom width slabs available. Certain restrictions apply. Please contact preferred dealer for more detailed information.

\*\*Certain restrictions apply. Please contact preferred dealer for more detailed information.

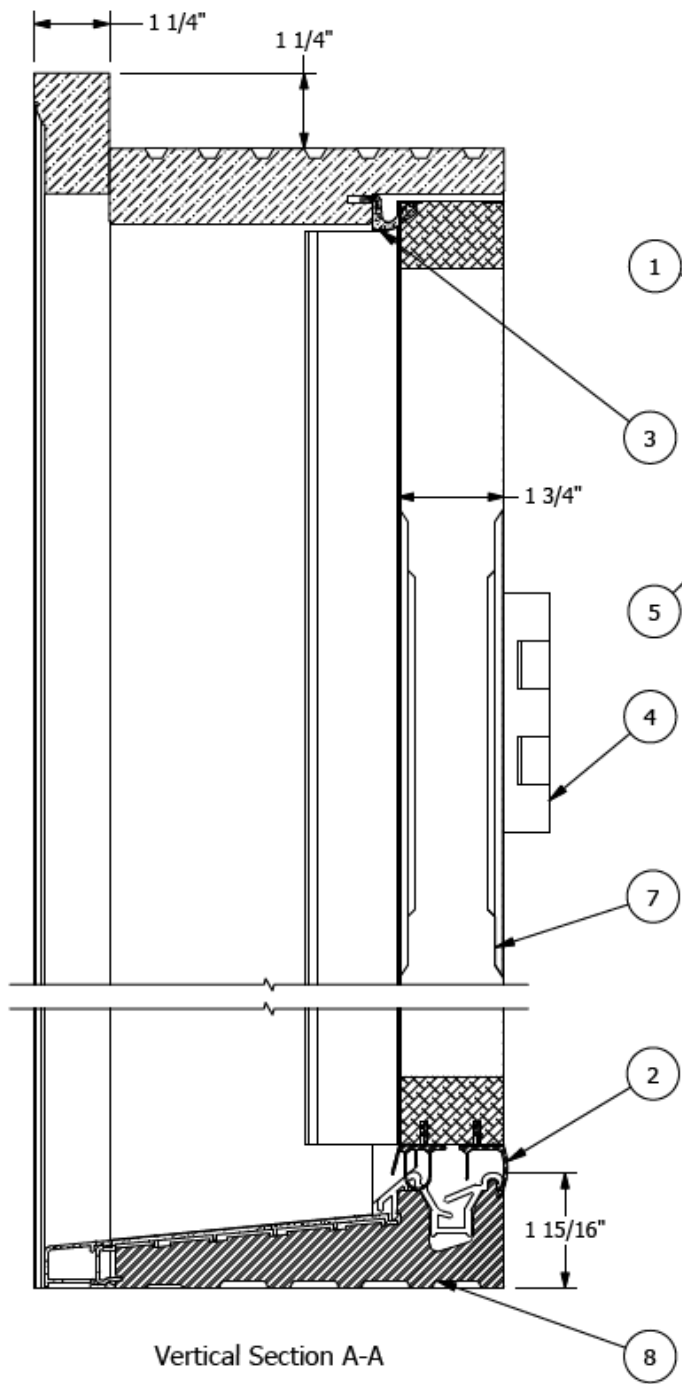




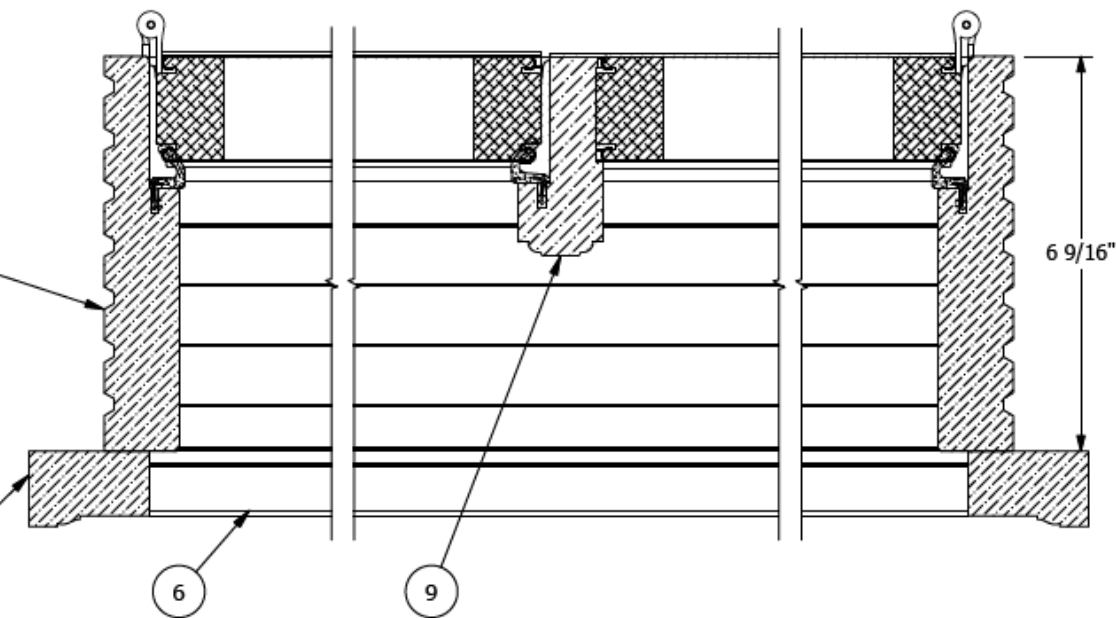
Drawn by: Leonardo Torres		Date: 4/17/2023		Title: 13.1- French Door - Elevation	
Checked by:		Date:		Sheet Size: A	
Approved by:		Date:		Scale: 0.07 : 1	
				Page 1 of 1	

**CONFIDENTIAL** The information contained in this document is strictly proprietary to North Star Windows and Doors and TruBilt Door Systems and may not be used in any way or for any purpose outside of the company without the express written consent of CornerStone Building Brands. Unauthorized use, reproduction, disclosure or retention of any information contained herein is prohibited. All patent, copyright, proprietary and manufacturing rights are reserved.

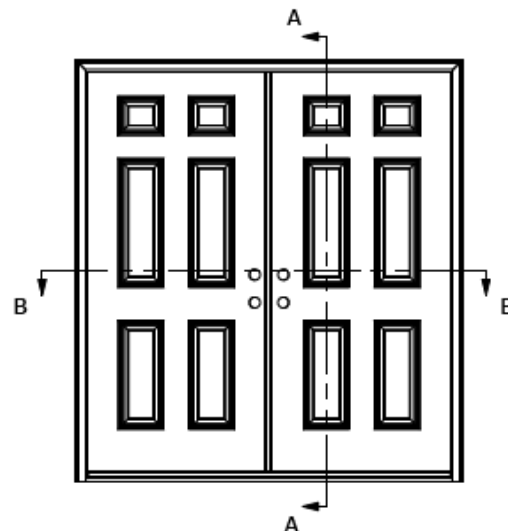
Rev.: Description: Date: Approved:



Vertical Section A-A



Horizontal Section B-B



Exterior View LH  
Not to Scale

Bill of Materials			
Item	Qty	Part Number	Part Description
1	3	TBD	Composite 6 9-16" Jamb
2	2	TBD	Sweep
3	4	TBD	Weather Strip
4	3	TBD	Hinge
5	3	TBD	Brickmould
6	1	TBD	Std Nosing
7	2	TBD	Steel 6 Panel Slab
8	1	TBD	High Performance Sill
9	1	TBD	Cellular PVC Astragal

	<p>13.- French Door</p>		
Dimensions in inches: Specified Tolerances: 0.00 ± 0.062 0.000 ± 0.005 X/X ± 1/16 X° ± 1°	Drawn by: <b>Leonardo Torres</b>	Date: <b>4/17/2023</b>	Title: <b>13.- French Door</b>
Checked by:	Date:	Approved by:	Date:
Sheet Size: <b>A</b>	Scale: <b>0.3125 : 1</b>	Page 1 of 1	

7008 Double Door with Astragal and Transom

Available standard sizes.

<u>Threshold Option</u>	<u>Frame Height (FH)</u>		<u>Slab Height (SH)</u>	<u>Overall Frame Height for systems with transoms</u>
	Nominal	Actual		
Inswing	6' 8"	82.25 in	79 in	OA FH = FH + Transom Height  For example: OA FH = 81.75 in + 10 in = 91.75 in
	8' 0"	98.25 in	95 in	
Outswing	6' 8"	81.5 in	79 in	
	8' 0"	97.5 in	95 in	
ADA (Wheelchair)	6' 8"	81.125 in	79 in	
	8' 0"	97.125 in	95 in	

\*Custom height slabs available. Certain restrictions apply. Please contact preferred dealer for more detailed information.

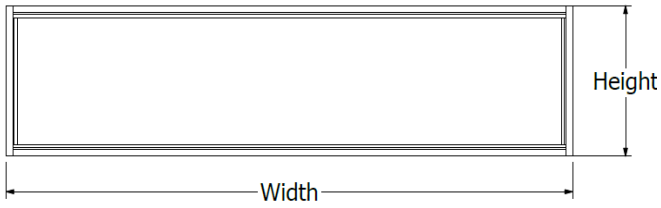
<u>Frame Width (FW)</u>	<u>Slab Width (SW)</u>	
	Nominal	Actual
62.125 in	2' 6"	29.75 in
66.125 in	2' 8"	31.75 in
70.125 in	2' 10"	33.75 in
74.125 in	3' 0"	35.75 in
86.125 in	**3' 6"	41.75 in

\*Custom width slabs available. Certain restrictions apply. Please contact preferred dealer for more detailed information.

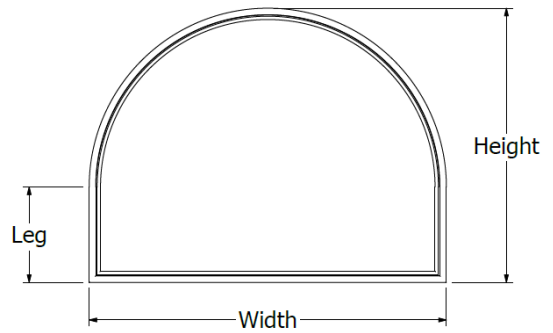
\*\*Certain restrictions apply. Please contact preferred dealer for more detailed information.

- Transom Options

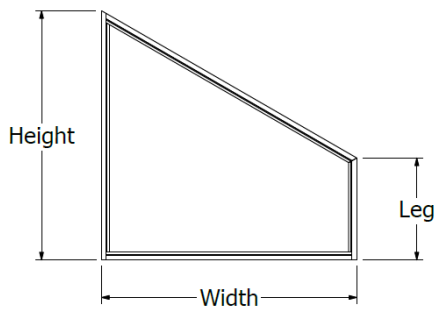
- Rectangular



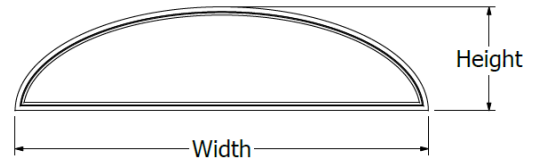
- Extended Arch



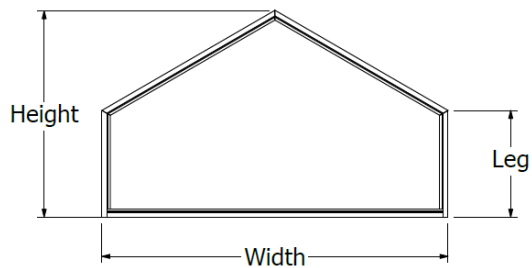
- Trapezoid



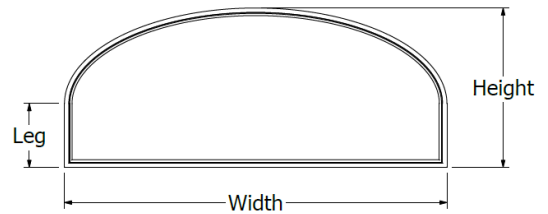
- True Ellipse



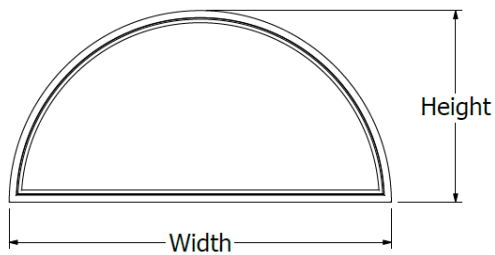
- Pentagon

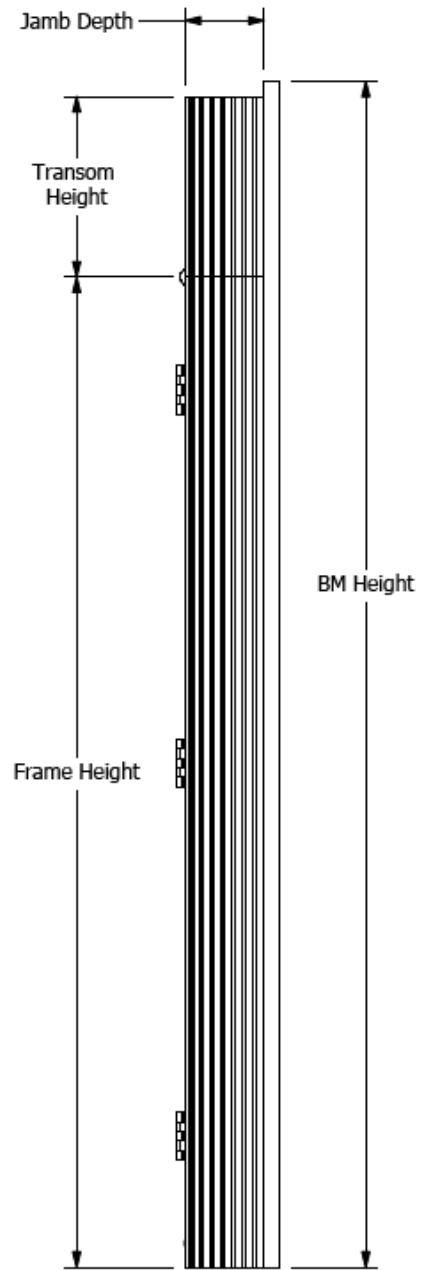
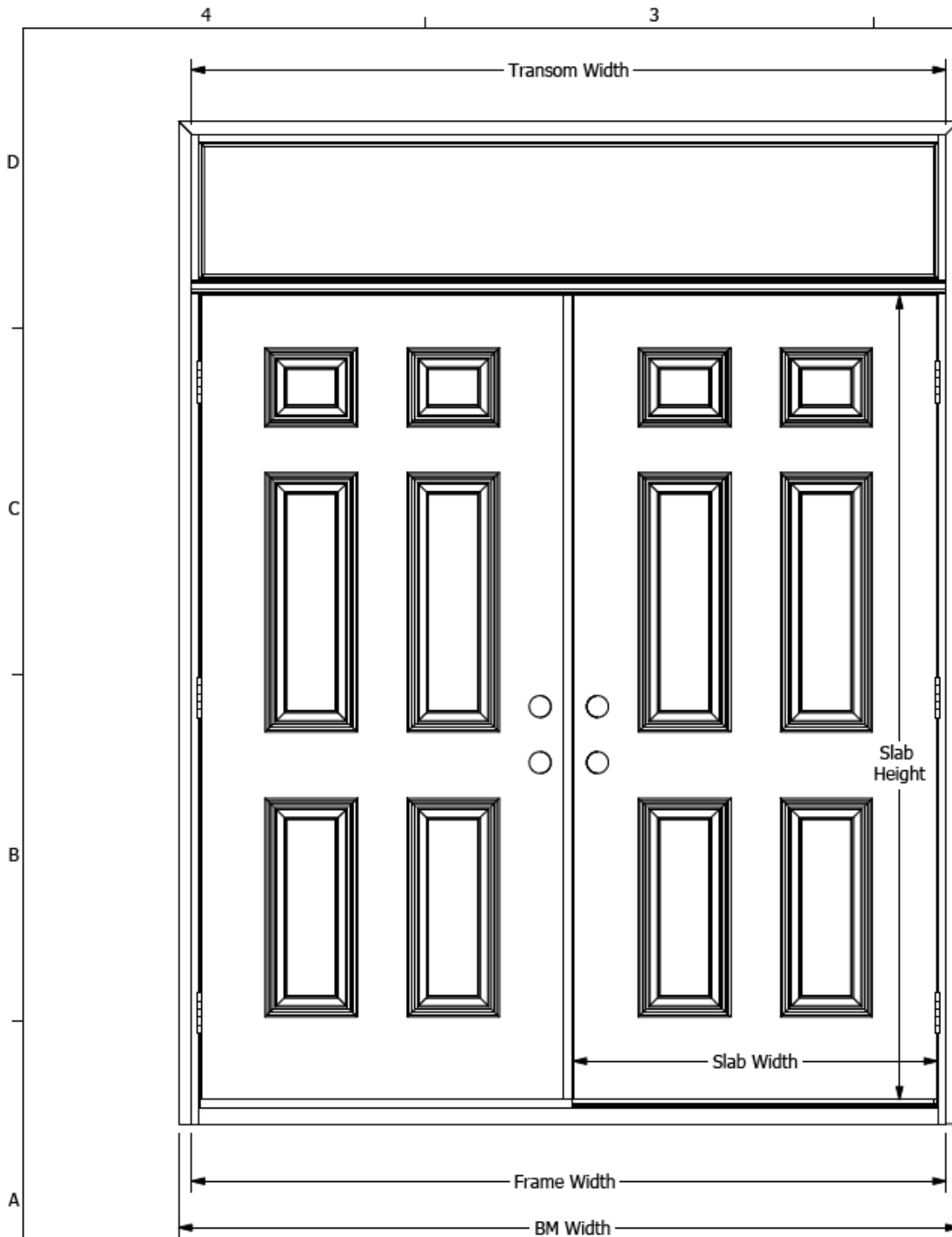


- Ellipse Top



- Half Arch

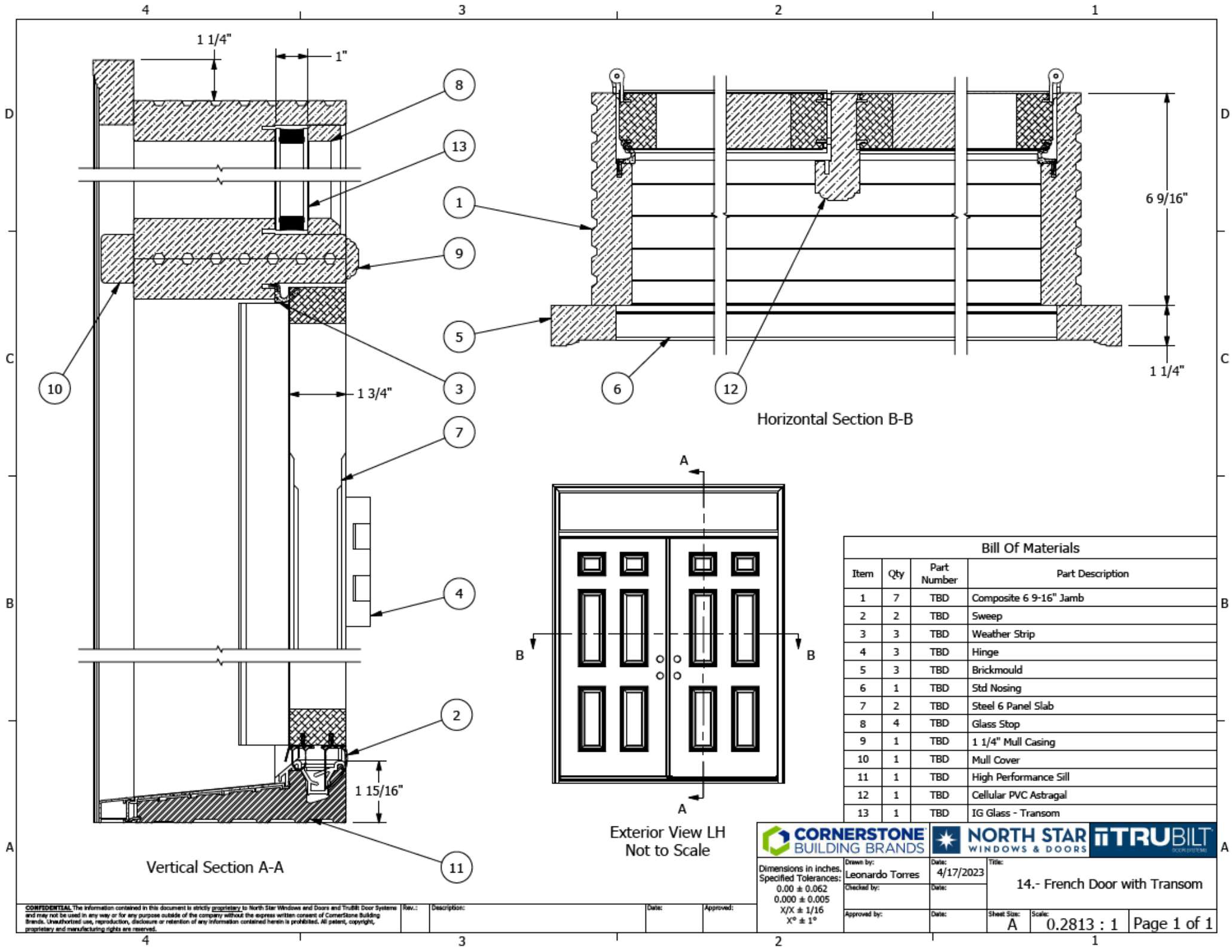




Dimensions in inches. Specified Tolerances: 0.00 ± 0.062 0.000 ± 0.005 X/X ± 1/16 X° ± 1°		Drawn by: <b>Leonardo Torres</b>	Date: <b>4/17/2023</b>	Title: <b>14.1- French Door with Transom - Elevation</b>	
		Checked by:	Date:	Sheet Size: <b>A</b>	Scale: <b>0.0625 : 1</b>
		Approved by:	Date:	<b>Page 1 of 1</b>	

**CONFIDENTIAL** The information contained in this document is strictly proprietary to North Star Windows and Doors and TruBilt Door Systems and may not be used in any way or for any purpose outside of the company without the express written consent of Cornerstone Building Brands. Unauthorized use, reproduction, disclosure or retention of any information contained herein is prohibited. All patent, copyright, proprietary and manufacturing rights are reserved.

Rev.: \_\_\_\_\_ Description: \_\_\_\_\_ Date: \_\_\_\_\_ Approved: \_\_\_\_\_



Bill Of Materials			
Item	Qty	Part Number	Part Description
1	7	TBD	Composite 6 9-16" Jamb
2	2	TBD	Sweep
3	3	TBD	Weather Strip
4	3	TBD	Hinge
5	3	TBD	Brickmould
6	1	TBD	Std Nosing
7	2	TBD	Steel 6 Panel Slab
8	4	TBD	Glass Stop
9	1	TBD	1 1/4" Mull Casing
10	1	TBD	Mull Cover
11	1	TBD	High Performance Sill
12	1	TBD	Cellular PVC Astragal
13	1	TBD	IG Glass - Transom

	Drawn by: <b>Leonardo Torres</b>	Date: <b>4/17/2023</b>	Title: <b>14.- French Door with Transom</b>
	Checked by: 	Date: 	Sheet Size: <b>A</b>
Dimensions in inches, Specified Tolerances: 0.00 ± 0.062 0.000 ± 0.005 X/X ± 1/16 X° ± 1°	Approved by: 	Date: 	Scale: <b>0.2813 : 1</b>

**CONFIDENTIAL.** The information contained in this document is strictly proprietary to North Star Windows and Doors and TruBilt Door Systems and may not be used in any way or for any purpose outside of the company without the express written consent of Cornerstone Building Brands. Unauthorized use, reproduction, disclosure or retention of any information contained herein is prohibited. All patent, copyright, proprietary and manufacturing rights are reserved.

Rev.: Description: Date: Approved:

7009 Double Door with Astragal and Single Sidelite

Available standard sizes.

<u>Threshold Option</u>	<u>Frame Height (FH)</u>		<u>Slab Height (SH)</u>
	Nominal	Actual	
Inswing	6' 8"	82.25 in	79 in
	8' 0"	98.25 in	95 in
Outswing	6' 8"	81.5 in	79 in
	8' 0"	97.5 in	95 in
ADA (Wheelchair)	6' 8"	81.125 in	79 in
	8' 0"	97.125 in	95 in

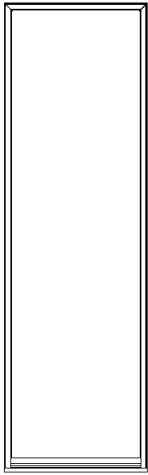
\*Custom height slabs available. Certain restrictions apply. Please contact preferred dealer for more detailed information.

<u>Frame Width (FW)</u>	<u>Slab Width (SW)</u>		<u>Overall Frame Width for systems with sidelites</u>
	Nominal	Actual	
62.125 in	2' 6"	29.75 in	OA FW = FW + Sidelite Width
66.125 in	2' 8"	31.75 in	
70.125 in	2' 10"	33.75 in	
74.125 in	3' 0"	35.75 in	
86.125 in	**3' 6"	41.75 in	

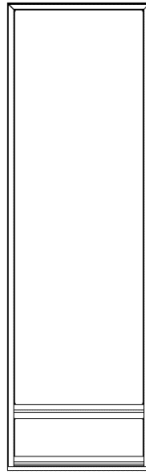
\*Custom width slabs available. Certain restrictions apply. Please contact preferred dealer for more detailed information.

\*\*Certain restrictions apply. Please contact preferred dealer for more detailed information.

- Sidelite Options



Direct Set



Direct Set with Kick Panel



Panel Set

- Direct Set Sidelites

Kick panel option top and bottom also available  
 Maximum glass size limited to 20 ft<sup>2</sup>

- Panel Set Sidelites

<u>Frame Height (FH)</u>		<u>Panel Height (SH)</u>
Nominal	Actual	
6' 8"	82.25 in	79 in
8' 0"	98.25 in	95 in

\*Custom height sidelites available. Certain restrictions apply. Please contact preferred dealer for more detailed information.

<u>Sidelite Frame Width (SW)</u>	<u>Sidelite Panel Width (PW)</u>	
	Nominal	Actual
13.4375 in	1' 0"	11.875 in
15.4375 in	1' 2"	13.875 in
19.4375 in	1' 6"	17.875 in

\*Custom width sidelites available. Certain restrictions apply. Please contact preferred dealer for more detailed information.



4

3

2

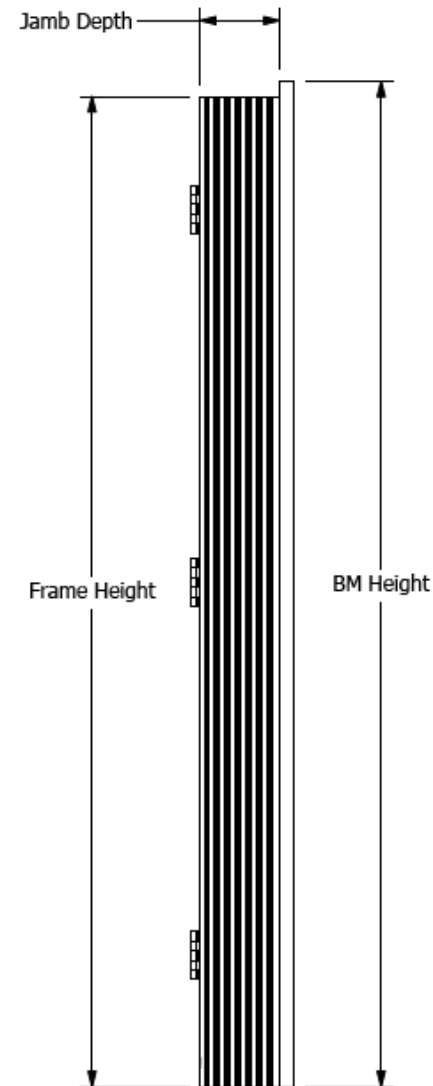
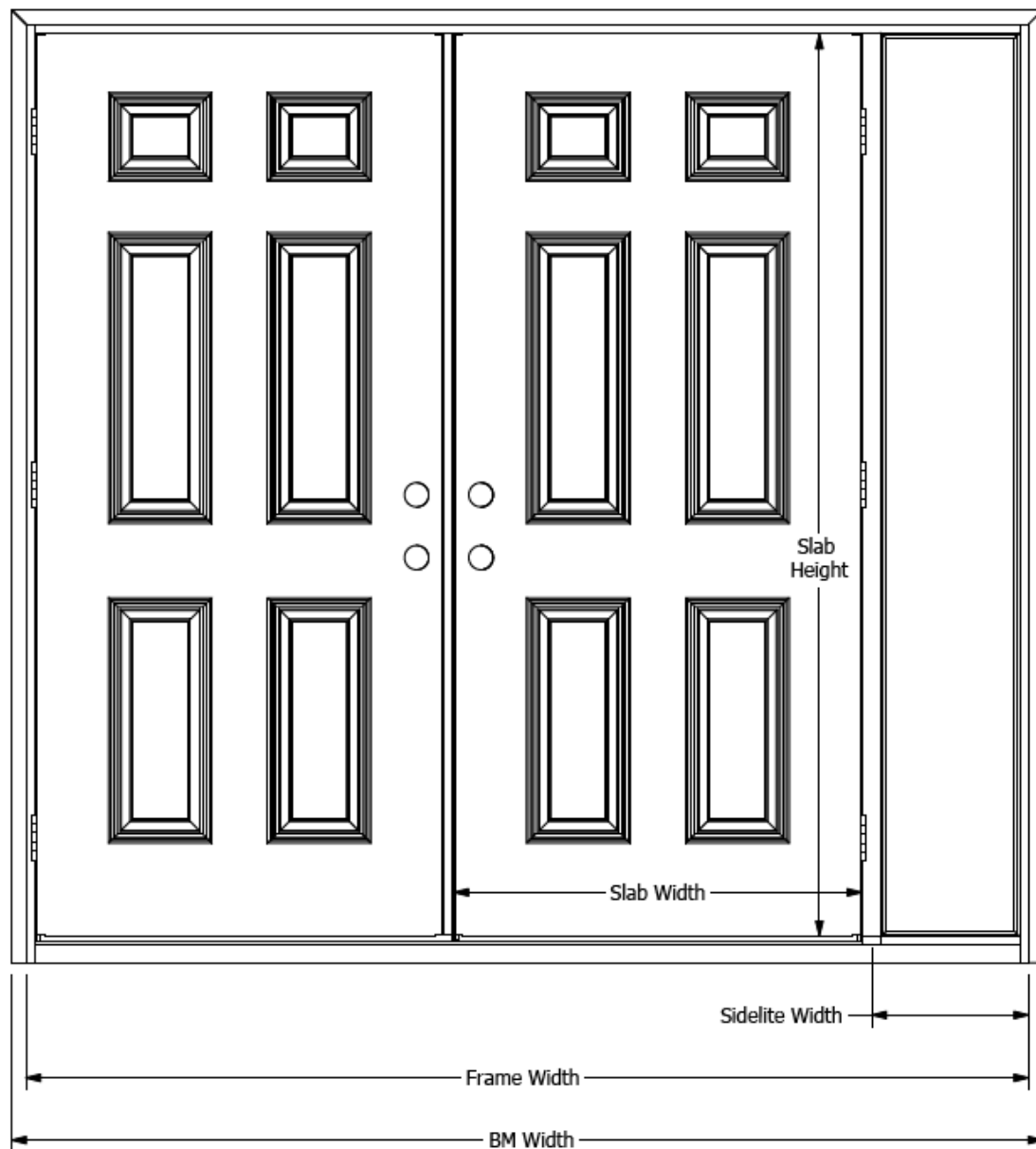
1

D

C

B

A



Dimensions in inches: Specified Tolerances: 0.00 ± 0.062 0.000 ± 0.005 X/X ± 1/16 X° ± 1°		Drawn by: <b>Leonardo Torres</b>	Date: <b>4/17/2023</b>	Title: <b>15.1- French Door with Single Sidelite - Elevation</b>	
		Checked by:	Date:	Sheet Size: <b>A</b>	Scale: <b>0.0625 : 1</b>
		Approved by:	Date:	<b>Page 1 of 1</b>	

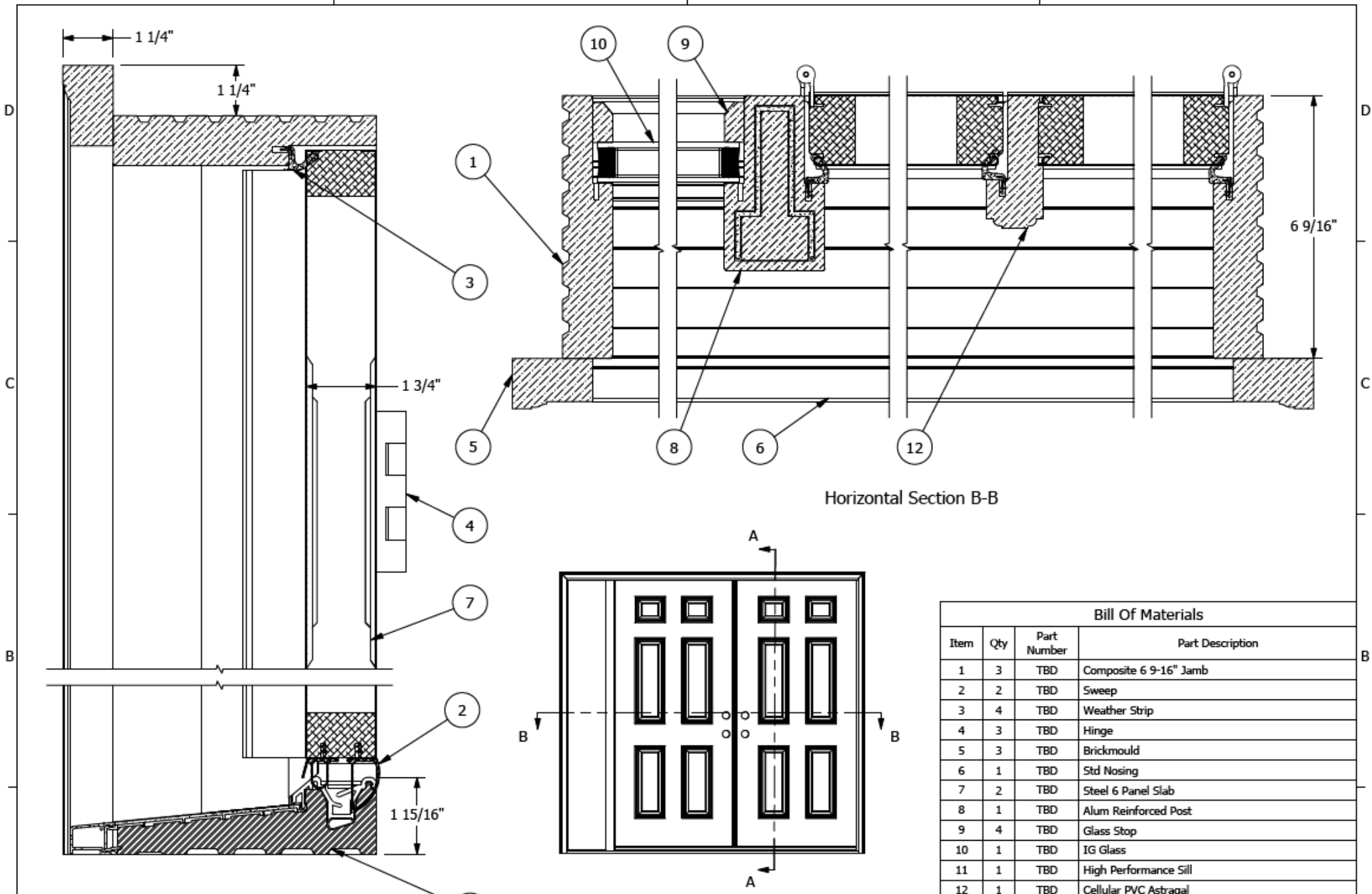
**CONFIDENTIAL** The information contained in this document is strictly proprietary to North Star Windows and Doors and TruBilt Door Systems and may not be used in any way or for any purpose outside of the company without the express written consent of CornerStone Building Brands. Unauthorized use, reproduction, disclosure or retention of any information contained herein is prohibited. All patent, copyright, proprietary and manufacturing rights are reserved.

4

3

2

1



Horizontal Section B-B

Vertical Section A-A

Exterior View LH  
Not to Scale

Bill Of Materials			
Item	Qty	Part Number	Part Description
1	3	TBD	Composite 6 9-16" Jamb
2	2	TBD	Sweep
3	4	TBD	Weather Strip
4	3	TBD	Hinge
5	3	TBD	Brickmould
6	1	TBD	Std Nosing
7	2	TBD	Steel 6 Panel Slab
8	1	TBD	Alum Reinforced Post
9	4	TBD	Glass Stop
10	1	TBD	IG Glass
11	1	TBD	High Performance Sill
12	1	TBD	Cellular PVC Astragal

	Drawn by: <b>Leonardo Torres</b>	Date: <b>4/17/2023</b>	Title: <b>15.- French Door with Single Sidelite</b>
	Checked by: 	Date: 	
Approved by: 	Date: 	Sheet Size: <b>A</b>	Scale: <b>0.3125 : 1</b>

**CONFIDENTIAL** The information contained in this document is strictly proprietary to North Star Windows and Doors and TruBilt Door Systems and may not be used in any way or for any purpose outside of the express written consent of Cornerstone Building Brands. Unauthorized use, reproduction, disclosure or retention of any information contained herein is prohibited. All patent, copyright, proprietary and manufacturing rights are reserved.

7010 Double Door with Astragal, Single Sidelite and Transom

Available standard sizes.

<u>Threshold Option</u>	<u>Frame Height (FH)</u>		<u>Slab Height (SH)</u>	<u>Overall Frame Height for systems with transoms</u>
	Nominal	Actual		
Inswing	6' 8"	82.25 in	79 in	OA FH = FH + Transom Height  For example: OA FH = 81.75 in + 10 in = 91.75 in
	8' 0"	98.25 in	95 in	
Outswing	6' 8"	81.5 in	79 in	
	8' 0"	97.5 in	95 in	
ADA (Wheelchair)	6' 8"	81.125 in	79 in	
	8' 0"	97.125 in	95 in	

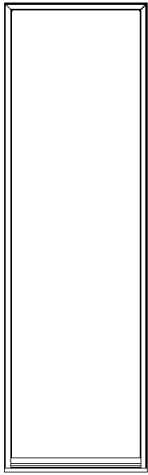
\*Custom height slabs available. Certain restrictions apply. Please contact preferred dealer for more detailed information.

<u>Frame Width (FW)</u>	<u>Slab Width (SW)</u>		<u>Overall Frame Width for systems with sidelites</u>
	Nominal	Actual	
62.125 in	2' 6"	29.75 in	OA FW = FW + Sidelite Width
66.125 in	2' 8"	31.75 in	
70.125 in	2' 10"	33.75 in	
74.125 in	3' 0"	35.75 in	
86.125 in	**3' 6"	41.75 in	

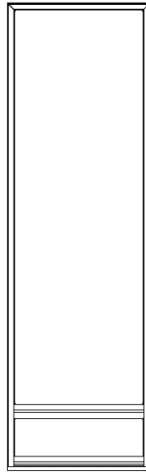
\*Custom width slabs available. Certain restrictions apply. Please contact preferred dealer for more detailed information.

\*\*Certain restrictions apply. Please contact preferred dealer for more detailed information.

- Sidelite Options



Direct Set



Direct Set with Kick Panel



Panel Set

- Direct Set Sidelites

Kick panel option top and bottom also available  
 Maximum glass size limited to 20 ft<sup>2</sup>

- Panel Set Sidelites

<u>Frame Height (FH)</u>		<u>Panel Height (SH)</u>
Nominal	Actual	
6' 8"	82.25 in	79 in
8' 0"	98.25 in	95 in

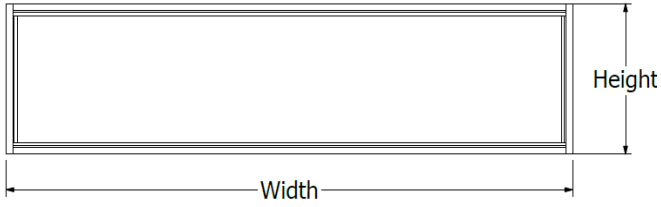
\*Custom height sidelites available. Certain restrictions apply. Please contact preferred dealer for more detailed information.

<u>Frame Width (SW)</u>	<u>Panel Width (PW)</u>	
	Nominal	Actual
13.4375 in	1' 0"	11.875 in
15.4375 in	1' 2"	13.875 in
19.4375 in	1' 6"	17.875 in

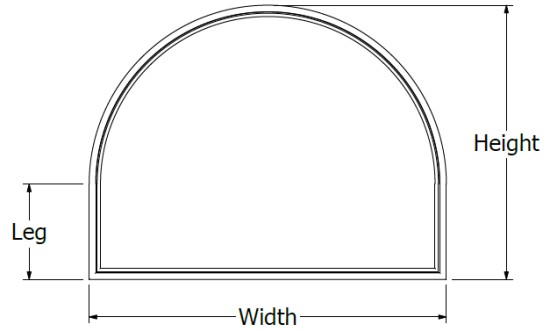
\*Custom width sidelites available. Certain restrictions apply. Please contact preferred dealer for more detailed information.

• Transom Options

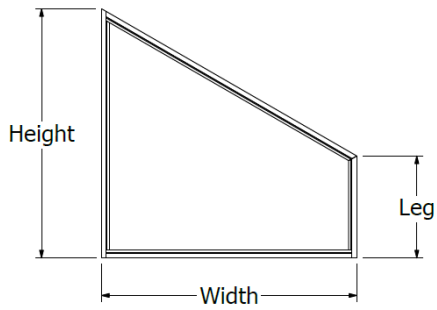
– Rectangular



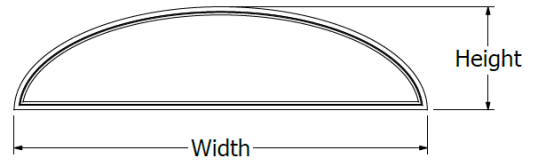
– Extended Arch



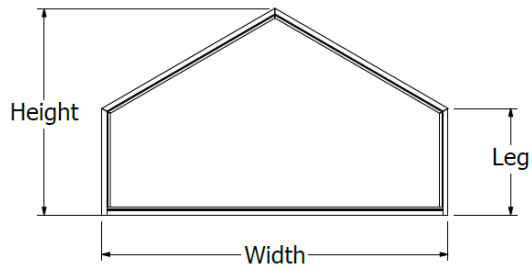
– Trapezoid



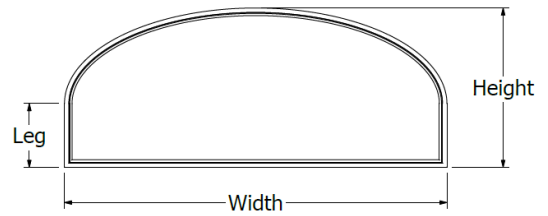
– True Ellipse



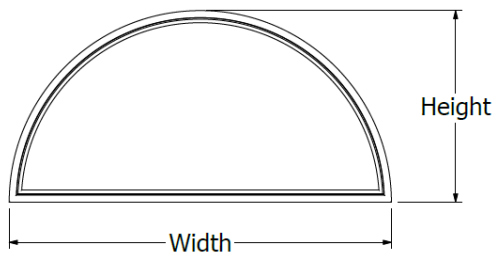
– Pentagon



– Ellipse Top



– Half Arch



4

3

2

1

D

D

C

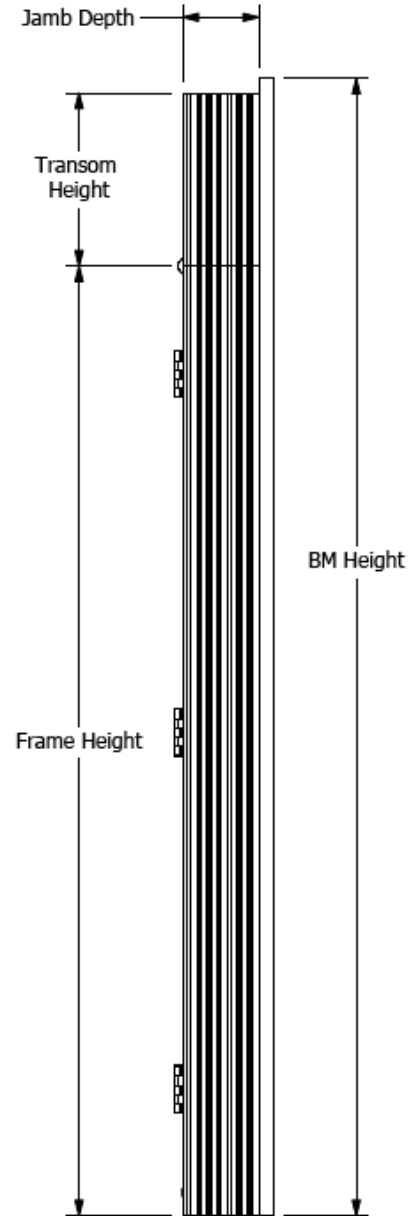
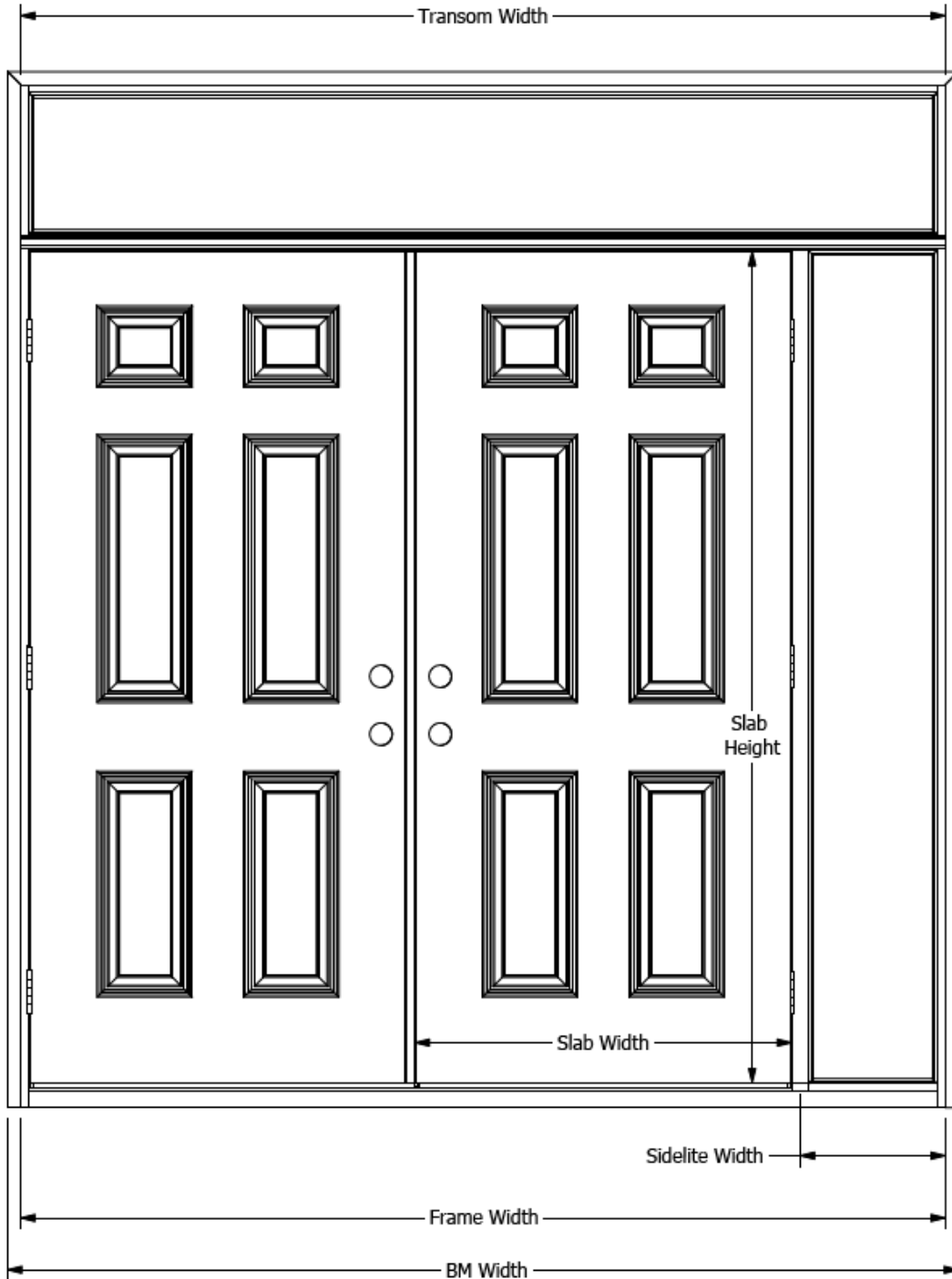
C

B

B

A

A



	<p>16.1- French Door SS &amp; T - Elevation</p>	
<p>Dimensions in inches, Specified Tolerances:  0.00 ± 0.062  0.000 ± 0.005  X/X ± 1/16  X° ± 1°</p>	<p>Drawn by: Leonardo Torres  Checked by:  Approved by:</p>	<p>Date: 4/17/2023  Date:  Date:</p>
<p>Sheet Size: A</p>		<p>Scale: 0.06 : 1</p>

CONFIDENTIAL: The information contained in this document is strictly proprietary to North Star Windows and Doors and TruBilt Door Systems and may not be used in any way or for any purpose outside of the company without the express written consent of Cornerstone Building Brands. Unauthorized use, reproduction, disclosure or retention of any information contained herein is prohibited. All patent, copyright, proprietary and manufacturing rights are reserved.

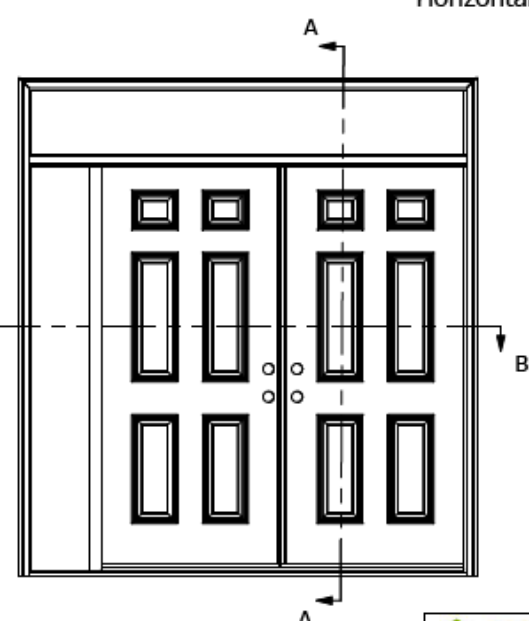
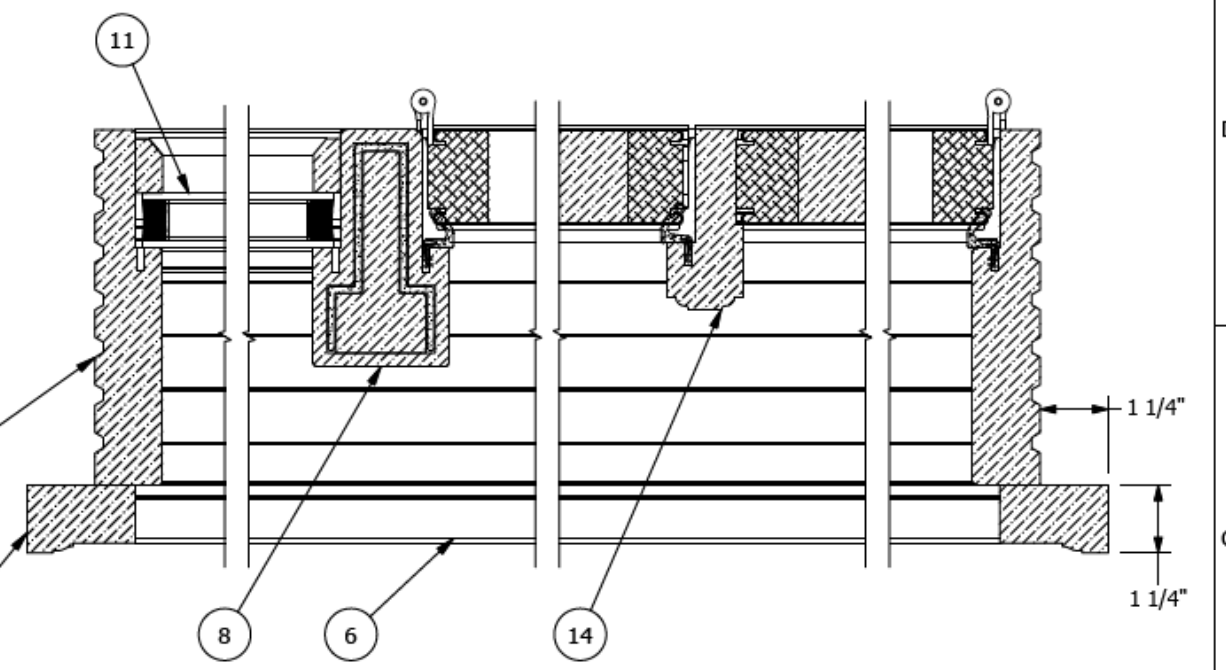
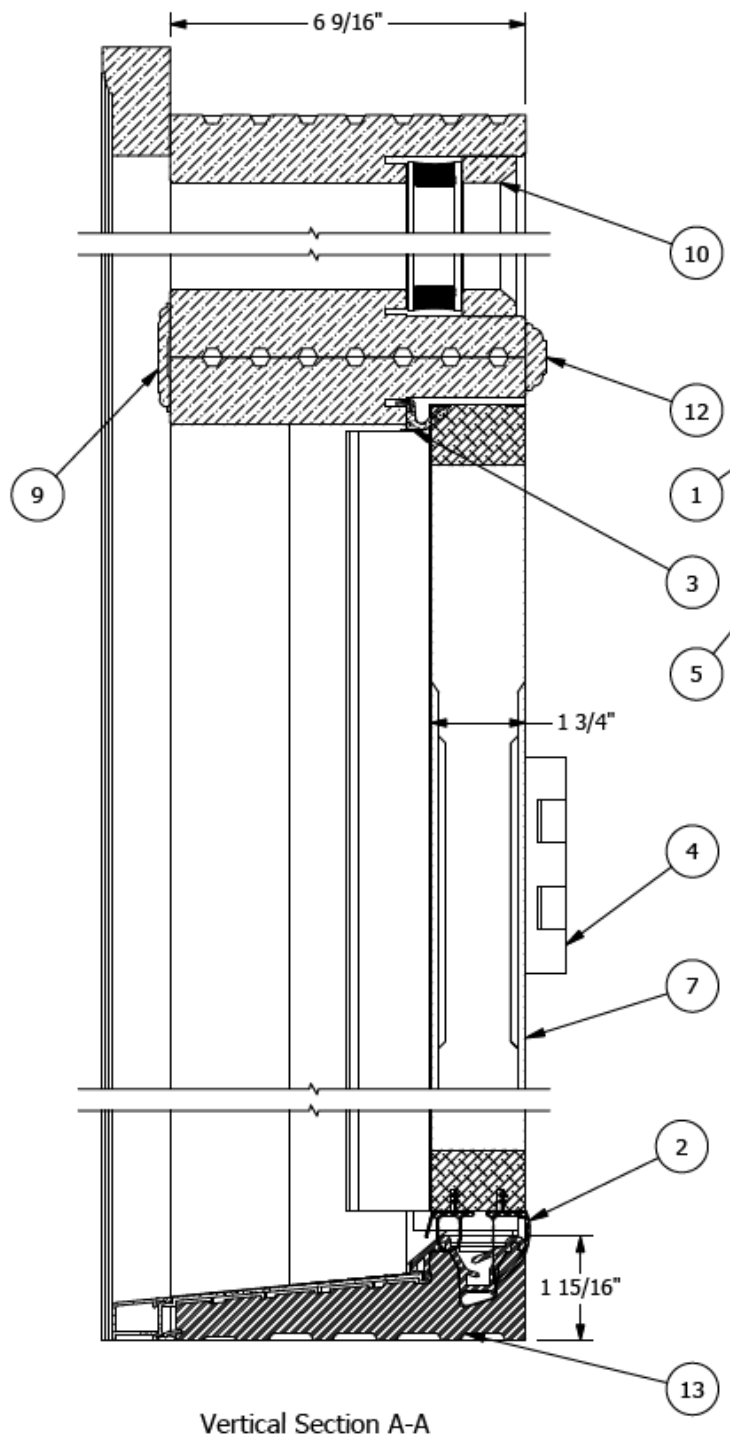
Rev.: Description: Date: Approved:

4

3

2

1



Bill Of Materials			
Item	Qty	Part Number	Part Description
1	7	TBD	Composite 6 9-16" Jamb
2	2	TBD	Sweep
3	4	TBD	Weather Strip
4	3	TBD	Hinge
5	3	TBD	Brickmould
6	1	TBD	Std Nosing
7	2	TBD	Steel 6 Panel Slab
8	1	TBD	Alum Reinforced Post
9	1	TBD	2 in Mull Casing
10	8	TBD	Glass Stop
11	2	TBD	IG Glass
12	1	TBD	1 1/4" Mull Casing
13	1	TBD	High Performance Sill
14	1	TBD	Cellular PVC Astragal

16- French Door SS & T

Drawn by: Leonardo Torres Date: 4/17/2023 Title:

Checked by: Date:

Approved by: Date:

Dimensions in inches, Specified Tolerances:  
 0.00 ± 0.062  
 0.000 ± 0.005  
 X/X ± 1/16  
 X° ± 1°

Sheet Size: A Scale: 0.2813 : 1 Page 1 of 1

7011 Double Door with Astragal and Double Sidelite

Available standard sizes.

<u>Threshold Option</u>	<u>Frame Height (FH)</u>		<u>Slab Height (SH)</u>
	Nominal	Actual	
Inswing	6' 8"	82.25 in	79 in
	8' 0"	98.25 in	95 in
Outswing	6' 8"	81.5 in	79 in
	8' 0"	97.5 in	95 in
ADA (Wheelchair)	6' 8"	81.125 in	79 in
	8' 0"	97.125 in	95 in

\*Custom height slabs available. Certain restrictions apply. Please contact preferred dealer for more detailed information.

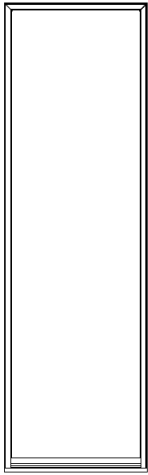
<u>Frame Width (FW)</u>	<u>Slab Width (SW)</u>		<u>Overall Frame Width for systems with sidelites</u>
	Nominal	Actual	
62.125 in	2' 6"	29.75 in	OA FW = FW + (2 x Sidelite Width)
66.125 in	2' 8"	31.75 in	
70.125 in	2' 10"	33.75 in	
74.125 in	3' 0"	35.75 in	
86.125 in	**3' 6"	41.75 in	

\*Custom width slabs available. Certain restrictions apply. Please contact preferred dealer for more detailed information.

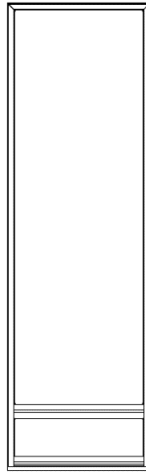
\*\*Certain restrictions apply. Please contact preferred dealer for more detailed information.



- Sidelite Options



Direct Set



Direct Set with Kick Panel



Panel Set

- Direct Set Sidelites

Kick panel option top and bottom also available  
 Maximum glass size limited to 20 ft<sup>2</sup>

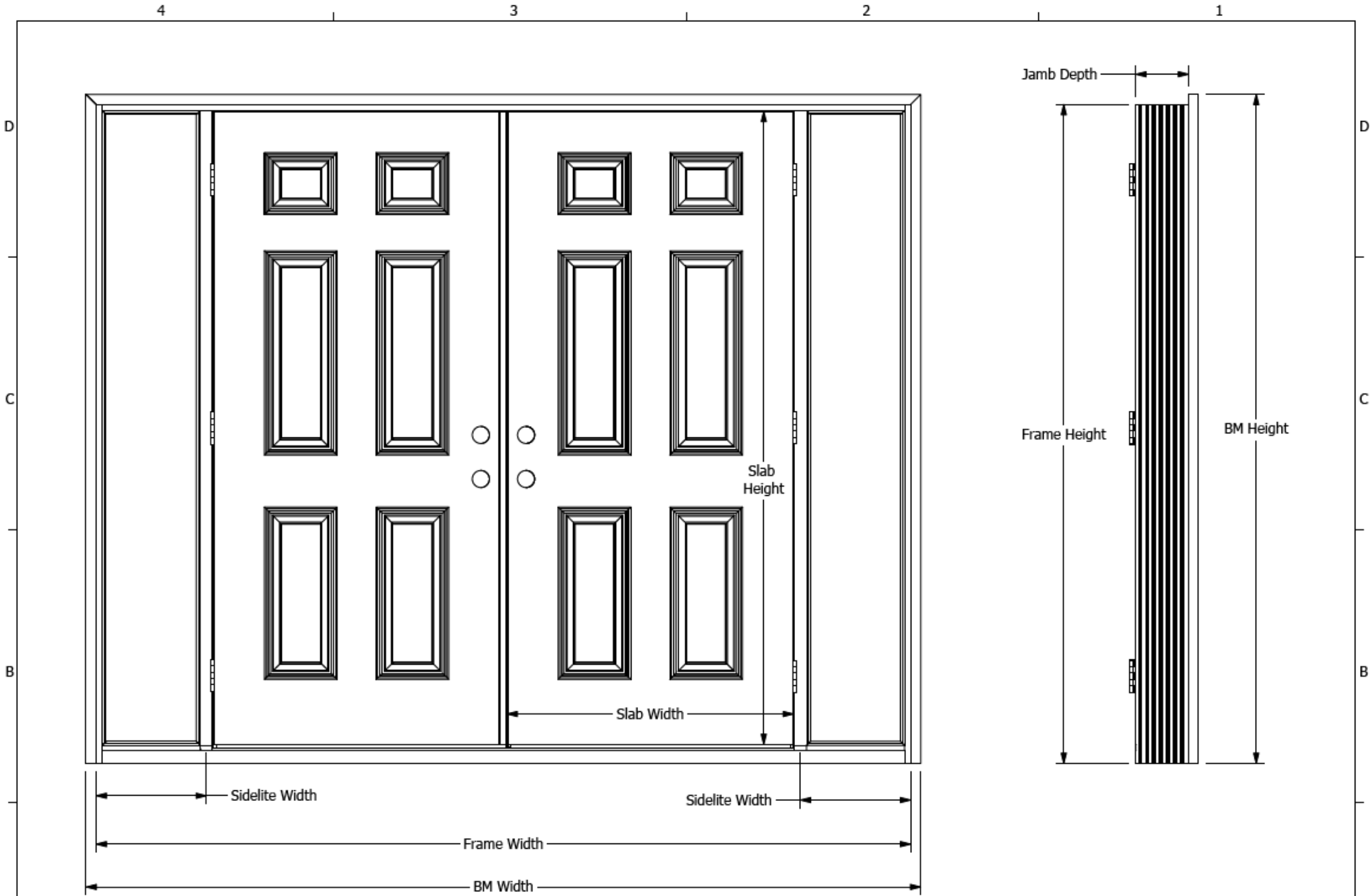
- Panel Set Sidelites

<u>Frame Height (FH)</u>		<u>Panel Height (SH)</u>
Nominal	Actual	
6' 8"	82.25 in	79 in
8' 0"	98.25 in	95 in

\*Custom height sidelites available. Certain restrictions apply. Please contact preferred dealer for more detailed information.

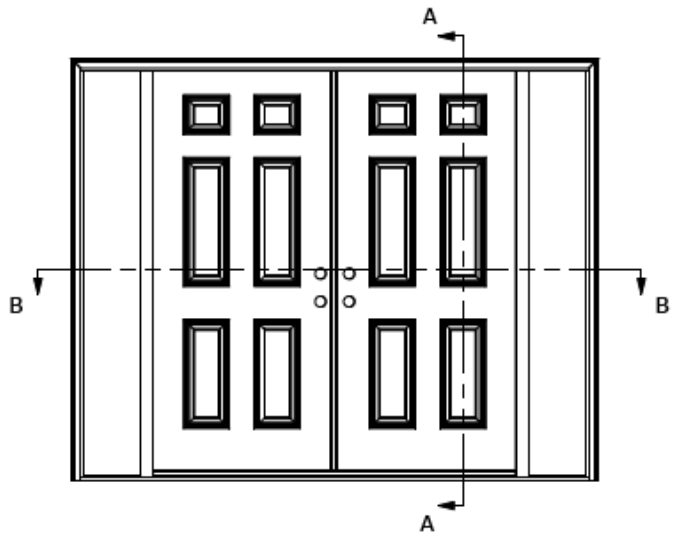
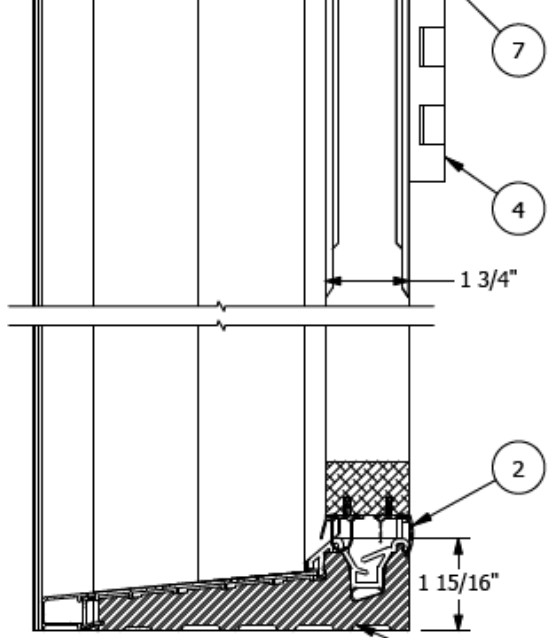
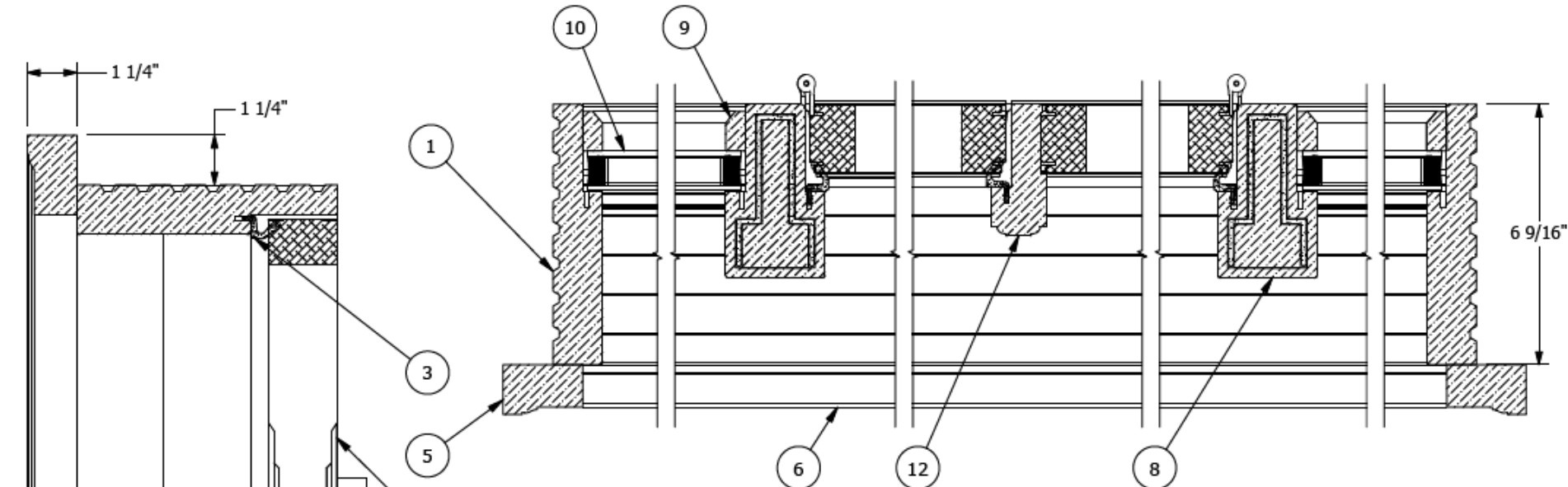
<u>Sidelite Frame Width (SW)</u>	<u>Sidelite Panel Width (PW)</u>	
	Nominal	Actual
13.4375 in	1' 0"	11.875 in
15.4375 in	1' 2"	13.875 in
19.4375 in	1' 6"	17.875 in

\*Custom width sidelites available. Certain restrictions apply. Please contact preferred dealer for more detailed information.



			Drawn by: Leonardo Torres Date: 4/17/2023	Title: 17.1- French Door DS - Elevation
			Checked by: Date:	
			Approved by: Date:	
			Sheet Size: A Scale: 0.0625 : 1	
Dimensions in inches. Specified Tolerances: 0.00 ± 0.062 0.000 ± 0.005 X/X ± 1/16 X° ± 1°			Page 1 of 1	

**CONFIDENTIAL** The information contained in this document is strictly proprietary to North Star Windows and Doors and TruBilt Door Systems and may not be used in any way or for any purpose outside of the company without the express written consent of Cornerstone Building Brands. Unauthorized use, reproduction, disclosure or retention of any information contained herein is prohibited. All patent, copyright, proprietary and manufacturing rights are reserved.



Bill Of Materials			
Item	Qty	Part Number	Part Description
1	3	TBD	Composite 6 9-16" Jamb
2	2	TBD	Sweep
3	4	TBD	Weather Strip
4	3	TBD	Hinge
5	3	TBD	Brickmould
6	1	TBD	Std Nosing
7	2	TBD	Steel 6 Panel Slab
8	2	TBD	Alum Reinforced Post
9	8	TBD	Glass Stop
10	2	TBD	IG Glass
11	1	TBD	High Performance Sill
12	1	TBD	Cellular PVC Astragal

	Drawn by: <b>Leonardo Torres</b>	Date: <b>4/17/2023</b>	<b>NORTH STAR WINDOWS &amp; DOORS</b> 
	Checked by:	Date:	
	Approved by:	Date:	
Dimensions in inches, Specified Tolerances: 0.00 ± 0.062 0.000 ± 0.005 X/X ± 1/16 X° ± 1°			Title: <b>17- French Door with Double Sidelite</b>
Sheet Size: <b>A</b>		Scale: <b>0.25 : 1</b>	Page 1 of 1

**CONFIDENTIAL** The information contained in this document is strictly proprietary to North Star Windows and Doors and TruBilt Door Systems and may not be used in any way or for any purpose outside of the company without the express written consent of Cornerstone Building Brands. Unauthorized use, reproduction, disclosure or retention of any information contained herein is prohibited. All patent, copyright, proprietary and manufacturing rights are reserved.

7012 Double Door with Astragal, Double Sidelite and Transom

Available standard sizes.

<u>Threshold Option</u>	<u>Frame Height (FH)</u>		<u>Slab Height (SH)</u>	<u>Overall Frame Height for systems with transoms</u>
	Nominal	Actual		
Inswing	6' 8"	82.25 in	79 in	OA FH = FH + Transom Height  For example: OA FH = 81.75 in + 10 in = 91.75 in
	8' 0"	98.25 in	95 in	
Outswing	6' 8"	81.5 in	79 in	
	8' 0"	97.5 in	95 in	
ADA (Wheelchair)	6' 8"	81.125 in	79 in	
	8' 0"	97.125 in	95 in	

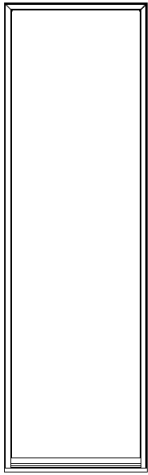
\*Custom height slabs available. Certain restrictions apply. Please contact preferred dealer for more detailed information.

<u>Frame Width (FW)</u>	<u>Slab Width (SW)</u>		<u>Overall Frame Width for systems with sidelites</u>
	Nominal	Actual	
62.125 in	2' 6"	29.75 in	OA FW = FW + (2 x Sidelite Width)
66.125 in	2' 8"	31.75 in	
70.125 in	2' 10"	33.75 in	
74.125 in	3' 0"	35.75 in	
86.125 in	**3' 6"	41.75 in	

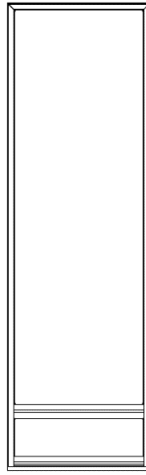
\*Custom width slabs available. Certain restrictions apply. Please contact preferred dealer for more detailed information.

\*\*Certain restrictions apply. Please contact preferred dealer for more detailed information.

- Sidelite Options



Direct Set



Direct Set with Kick Panel



Panel Set

- Direct Set Sidelites

Kick panel option top and bottom also available  
 Maximum glass size limited to 20 ft<sup>2</sup>

- Panel Set Sidelites

<u>Frame Height (FH)</u>		<u>Panel Height (SH)</u>
Nominal	Actual	
6' 8"	82.25 in	79 in
8' 0"	98.25 in	95 in

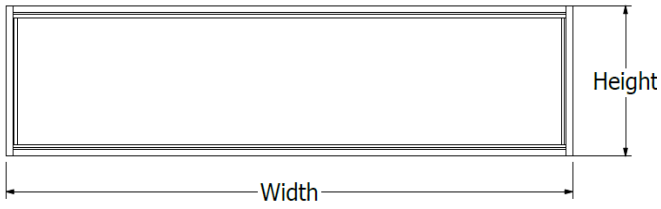
\*Custom height sidelites available. Certain restrictions apply. Please contact preferred dealer for more detailed information.

<u>Sidelite Frame Width (SW)</u>	<u>Sidelite Panel Width (PW)</u>	
	Nominal	Actual
13.4375 in	1' 0"	11.875 in
15.4375 in	1' 2"	13.875 in
19.4375 in	1' 6"	17.875 in

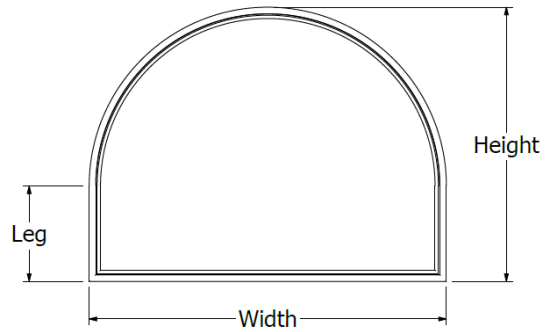
\*Custom width sidelites available. Certain restrictions apply. Please contact preferred dealer for more detailed information.

- Transom Options

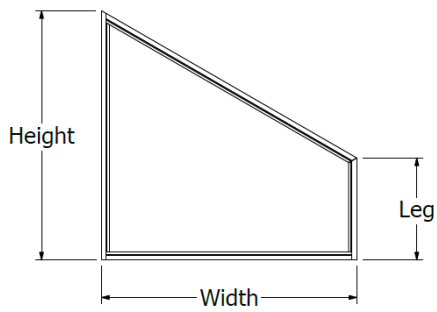
- Rectangular



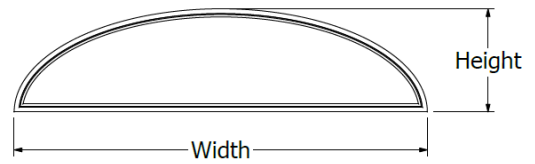
- Extended Arch



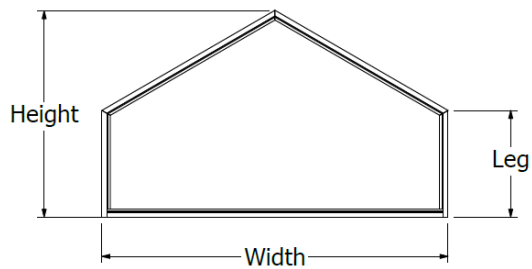
- Trapezoid



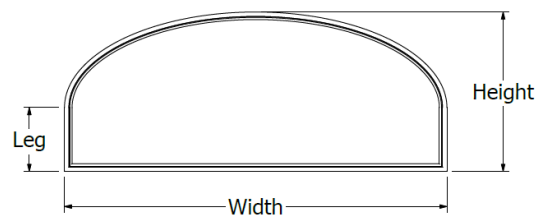
- True Ellipse



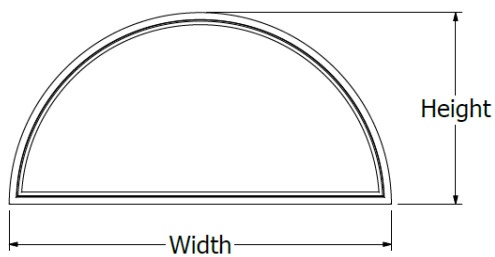
- Pentagon



- Ellipse Top



- Half Arch

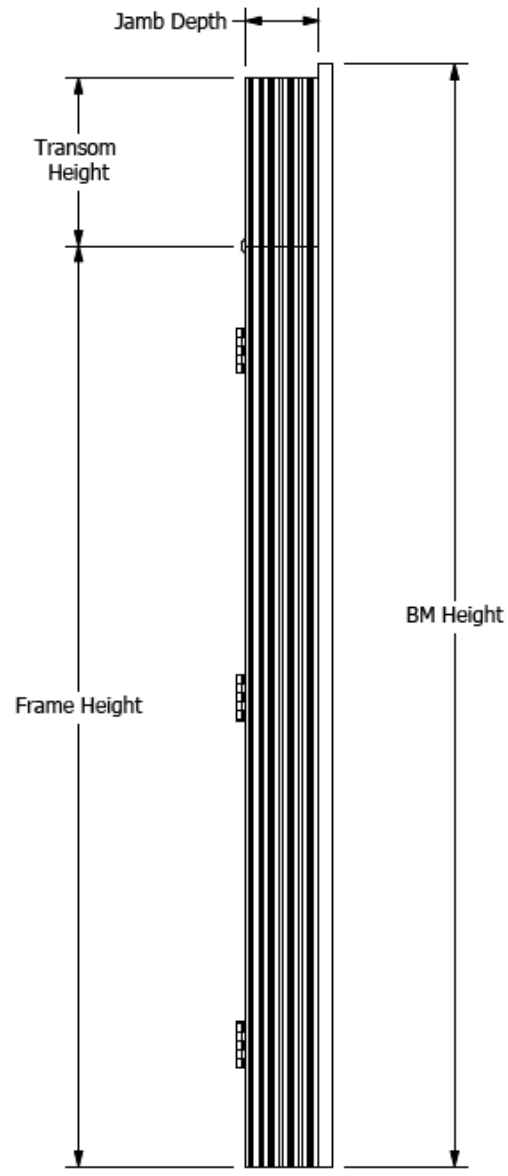
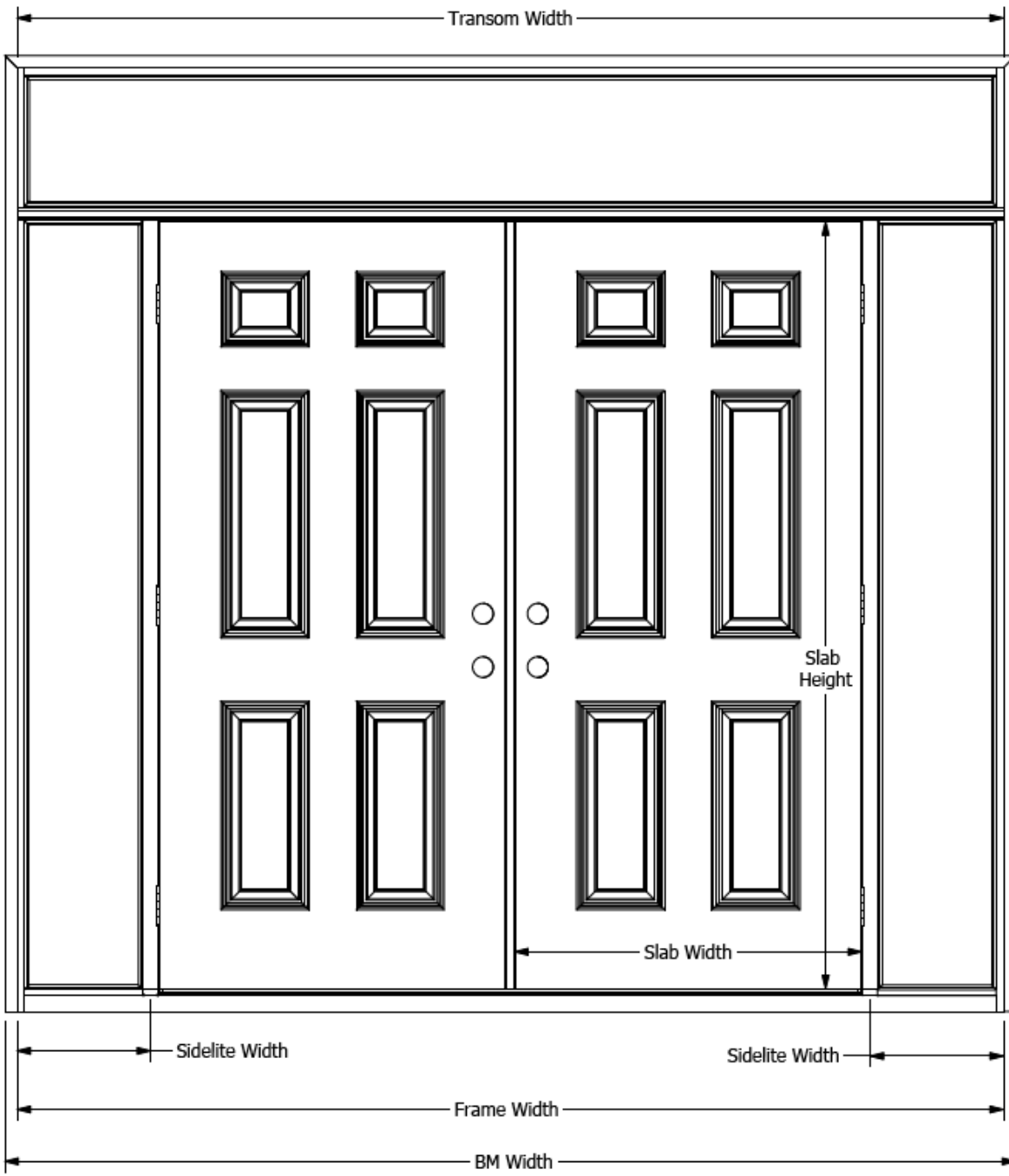


4

3

2

1



D

C

B

A

D

C

B

A

**CONFIDENTIAL** The information contained in this document is strictly proprietary to North Star Windows and Doors and TruBilt Door Systems and may not be used in any way or for any purpose outside of the company without the express written consent of Cornerstone Building Brands. Unauthorized use, reproduction, disclosure or retention of any information contained herein is prohibited. All patent, copyright, proprietary and manufacturing rights are reserved.

Rev.:	Description:	Date:	Approved:

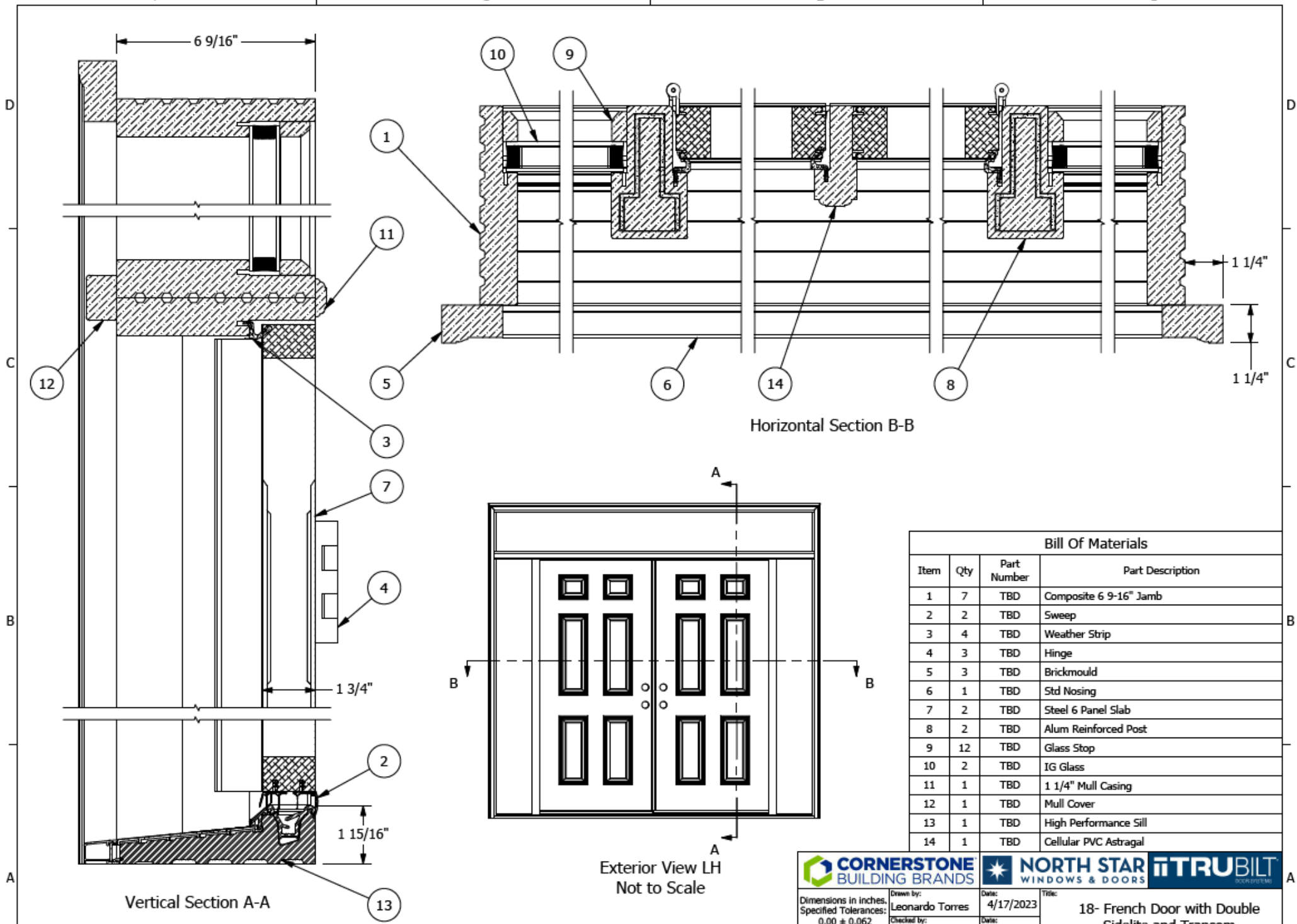
Dimensions in inches: Specified Tolerances: 0.00 ± 0.062 0.000 ± 0.005 X/X ± 1/16 X° ± 1°		Drawn by: <b>Leonardo Torres</b>	Date: <b>4/17/2023</b>	Title: <b>18.1- French Door with Double S&amp;T - Elevation</b>	
Checked by:		Date:		Sheet Size: <b>A</b>	Scale: <b>0.058 : 1</b>
Approved by:		Date:		<b>Page 1 of 1</b>	

4

3

2

1



Horizontal Section B-B

Exterior View LH  
Not to Scale

Bill Of Materials

Item	Qty	Part Number	Part Description
1	7	TBD	Composite 6 9-16" Jamb
2	2	TBD	Sweep
3	4	TBD	Weather Strip
4	3	TBD	Hinge
5	3	TBD	Brickmould
6	1	TBD	Std Nosing
7	2	TBD	Steel 6 Panel Slab
8	2	TBD	Alum Reinforced Post
9	12	TBD	Glass Stop
10	2	TBD	IG Glass
11	1	TBD	1 1/4" Mull Casing
12	1	TBD	Mull Cover
13	1	TBD	High Performance Sill
14	1	TBD	Cellular PVC Astragal

**CORNERSTONE BUILDING BRANDS** **NORTH STAR WINDOWS & DOORS** **ITRUBILT**

Dimensions in inches, Specified Tolerances:  
 0.00 ± 0.062  
 0.000 ± 0.005  
 X/X ± 1/16  
 X° ± 1°

Drawn by: Leonardo Torres Date: 4/17/2023  
 Checked by: Date:  
 Approved by: Date:

Title: 18- French Door with Double Sidelite and Transom

Sheet Size: A Scale: 0.25 : 1 Page 1 of 1



7013 Double Door with Mullpost

Available standard sizes.

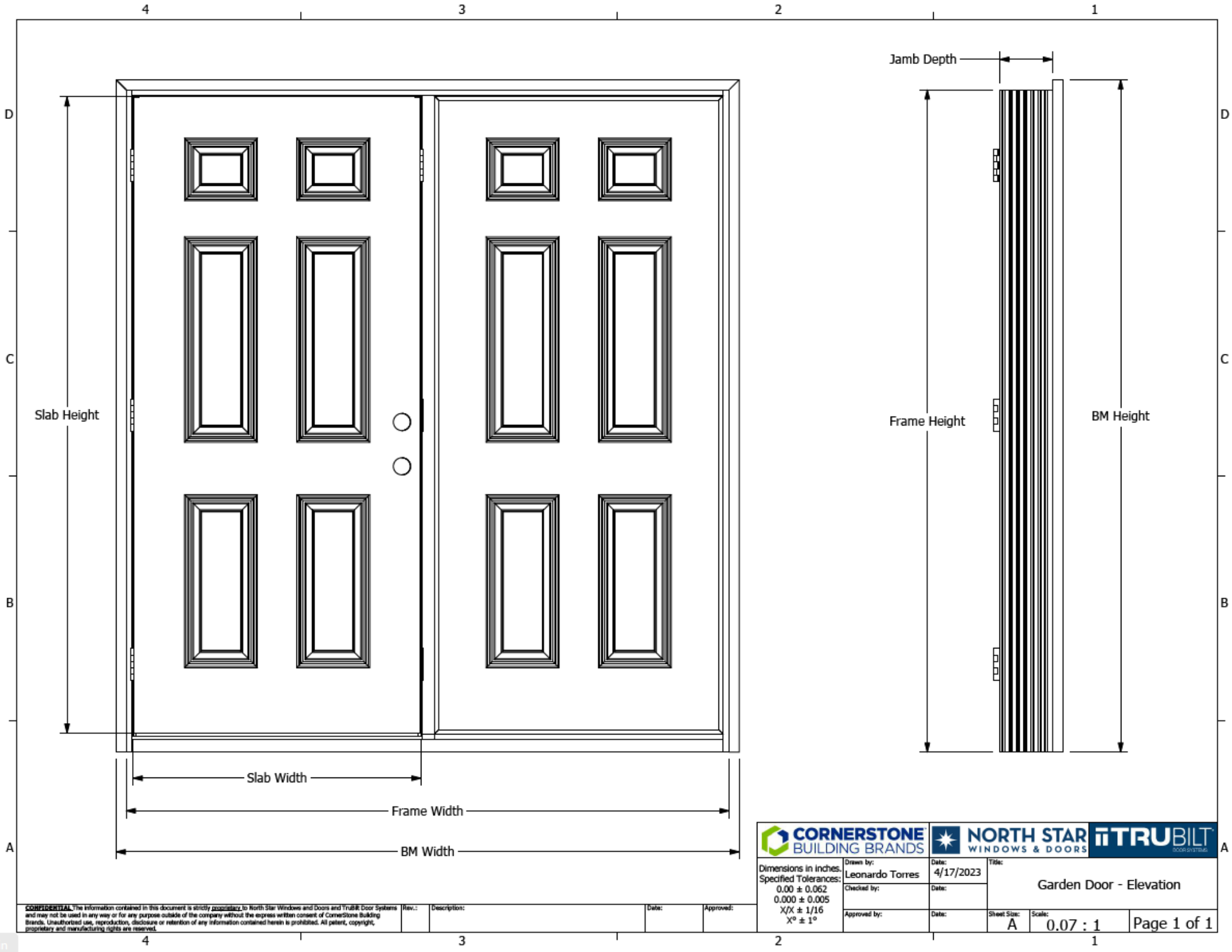
<u>Threshold Option</u>	<u>Frame Height (FH)</u>		<u>Slab Height (SH)</u>
	Nominal	Actual	
Inswing	6' 8"	82.25 in	79 in
	8' 0"	98.25 in	95 in
Outswing	6' 8"	81.5 in	79 in
	8' 0"	97.5 in	95 in
ADA (Wheelchair)	6' 8"	81.125 in	79 in
	8' 0"	97.125 in	95 in

\*Custom height slabs available. Certain restrictions apply. Please contact preferred dealer for more detailed information.

<u>Frame Width (FW)</u>	<u>Slab Width (SW)</u>	
	Nominal	Actual
62.875 in	2' 6"	29.75 in
66.875 in	2' 8"	31.75 in
70.875 in	2' 10"	33.75 in
74.875 in	3' 0"	35.75 in
86.875 in	**3' 6"	41.75 in

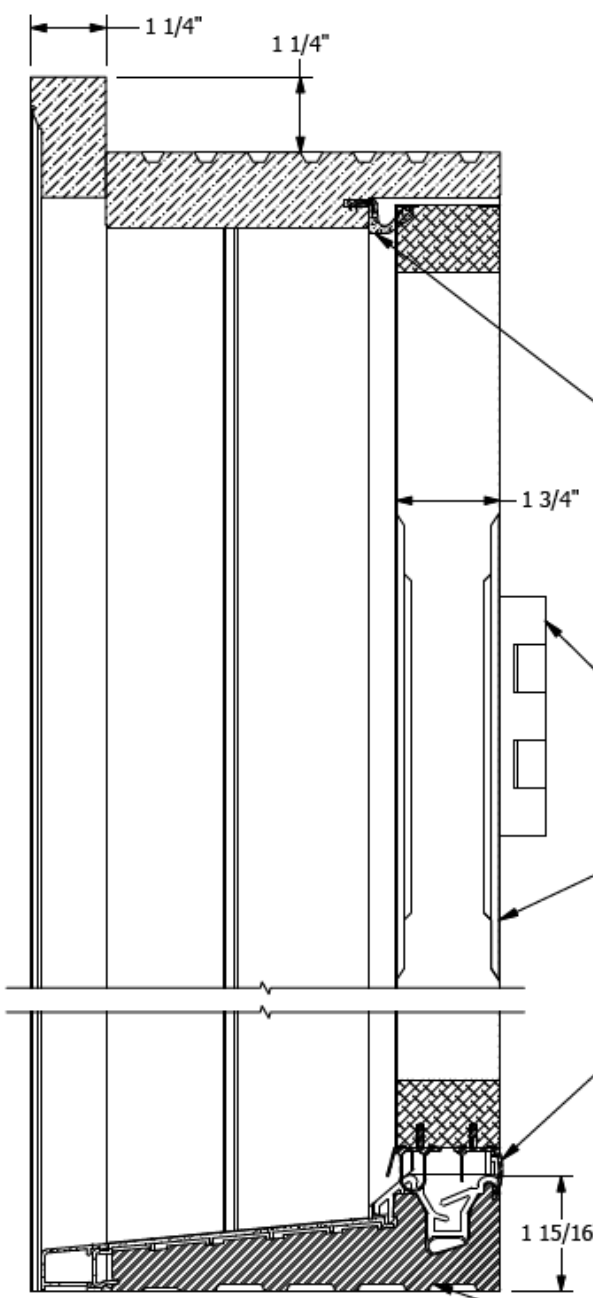
\*Custom width slabs available. Certain restrictions apply. Please contact preferred dealer for more detailed information.

\*\*Certain restrictions apply. Please contact preferred dealer for more detailed information.

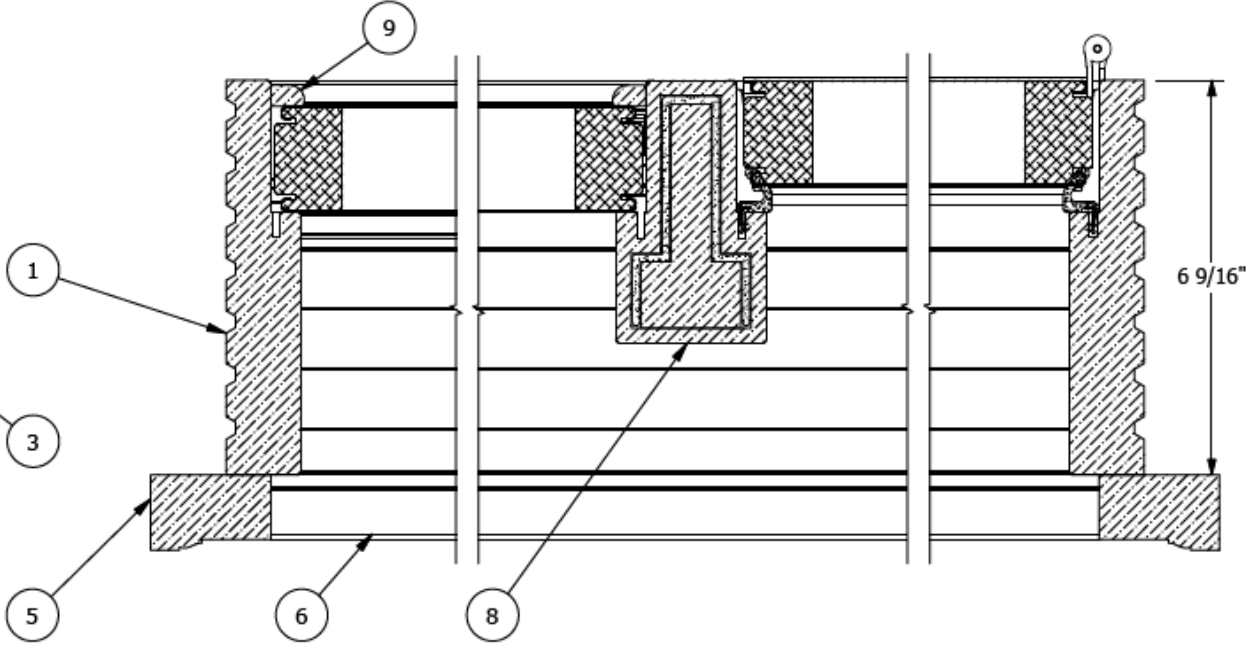


			Garden Door - Elevation	
			Dimensions in Inches: Specified Tolerances: 0.00 ± 0.062 0.000 ± 0.005 X/X ± 1/16 X° ± 1°	Drawn by: Leonardo Torres Date: 4/17/2023 Checked by: Date: Approved by: Date:

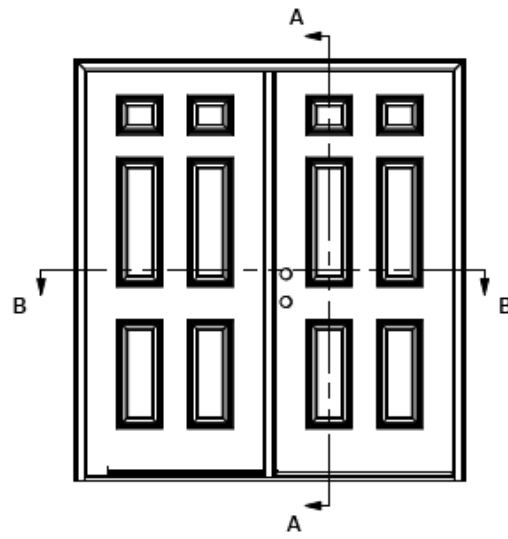
CONFIDENTIAL: The information contained in this document is strictly confidential to North Star Windows and Doors and TruBilt Door Systems and may not be used in any way or for any purpose outside of the company without the express written consent of Cornerstone Building Brands. Unauthorized use, reproduction, disclosure or retention of any information contained herein is prohibited. All patent, copyright, proprietary and manufacturing rights are reserved.



Vertical Section A-A



Horizontal Section B-B



Exterior View RH  
Not to Scale

Bill of Materials			
Item	Qty	Part Number	Part Description
1	3	TBD	Composite 6 9-16" Jamb
2	1	TBD	Sweep
3	3	TBD	Weather Strip
4	4	TBD	Hinge
5	3	TBD	Brickmould
6	1	TBD	Std Nosing
7	1	TBD	Steel 6 Panel Slab
8	1	TBD	Alum Reinforced Post
9	4	TBD	Sidelite Stop
10	1	TBD	High Performance Sill

Dimensions in inches.  
Specified Tolerances:  
0.00 ± 0.062  
0.000 ± 0.005  
X/X ± 1/16  
X° ± 1°

Drawn by: Leonardo Torres  
Date: 4/17/2023  
Checked by:  
Date:  
Approved by:  
Date:

Title: Garden Door - Section View  
Sheet Size: A  
Scale: 0.3125 : 1

7014 Double Door with Mullpost and Transom

Available standard sizes.

<u>Threshold Option</u>	<u>Frame Height (FH)</u>		<u>Slab Height (SH)</u>	<u>Overall Frame Height for systems with transoms</u>
	Nominal	Actual		
Inswing	6' 8"	82.25 in	79 in	OA FH = FH + Transom Height  For example: OA FH = 81.75 in + 10 in = 91.75 in
	8' 0"	98.25 in	95 in	
Outswing	6' 8"	81.5 in	79 in	
	8' 0"	97.5 in	95 in	
ADA (Wheelchair)	6' 8"	81.125 in	79 in	
	8' 0"	97.125 in	95 in	

\*Custom height slabs available. Certain restrictions apply. Please contact preferred dealer for more detailed information.

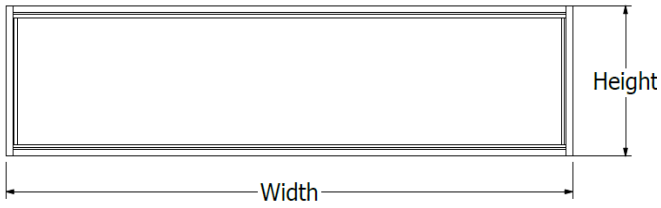
<u>Frame Width (FW)</u>	<u>Slab Width (SW)</u>	
	Nominal	Actual
62.875 in	2' 6"	29.75 in
66.875 in	2' 8"	31.75 in
70.875 in	2' 10"	33.75 in
74.875 in	3' 0"	35.75 in
86.875 in	**3' 6"	41.75 in

\*Custom width slabs available. Certain restrictions apply. Please contact preferred dealer for more detailed information.

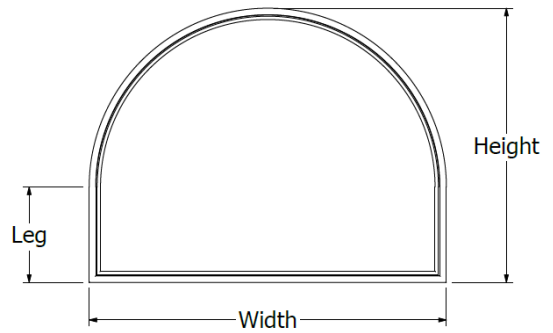
\*\*Certain restrictions apply. Please contact preferred dealer for more detailed information.

- Transom Options

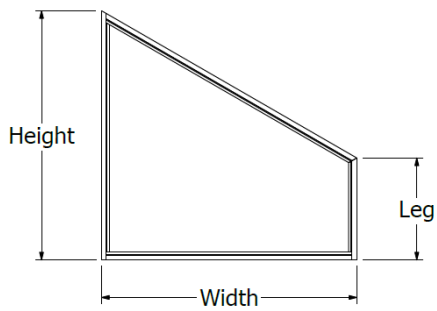
- Rectangular



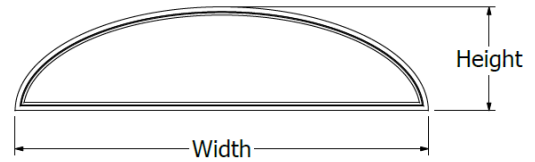
- Extended Arch



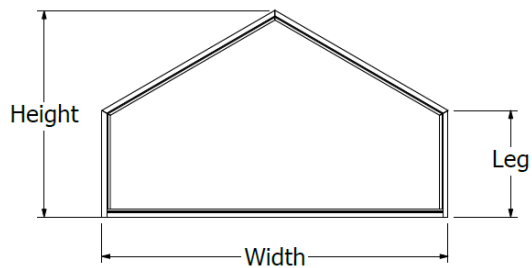
- Trapezoid



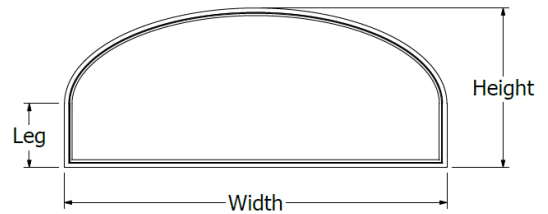
- True Ellipse



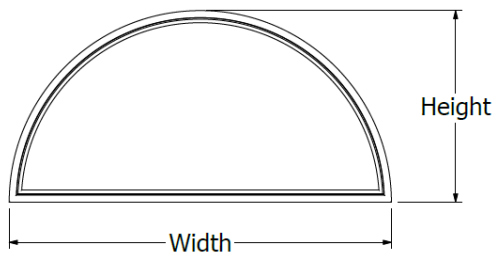
- Pentagon

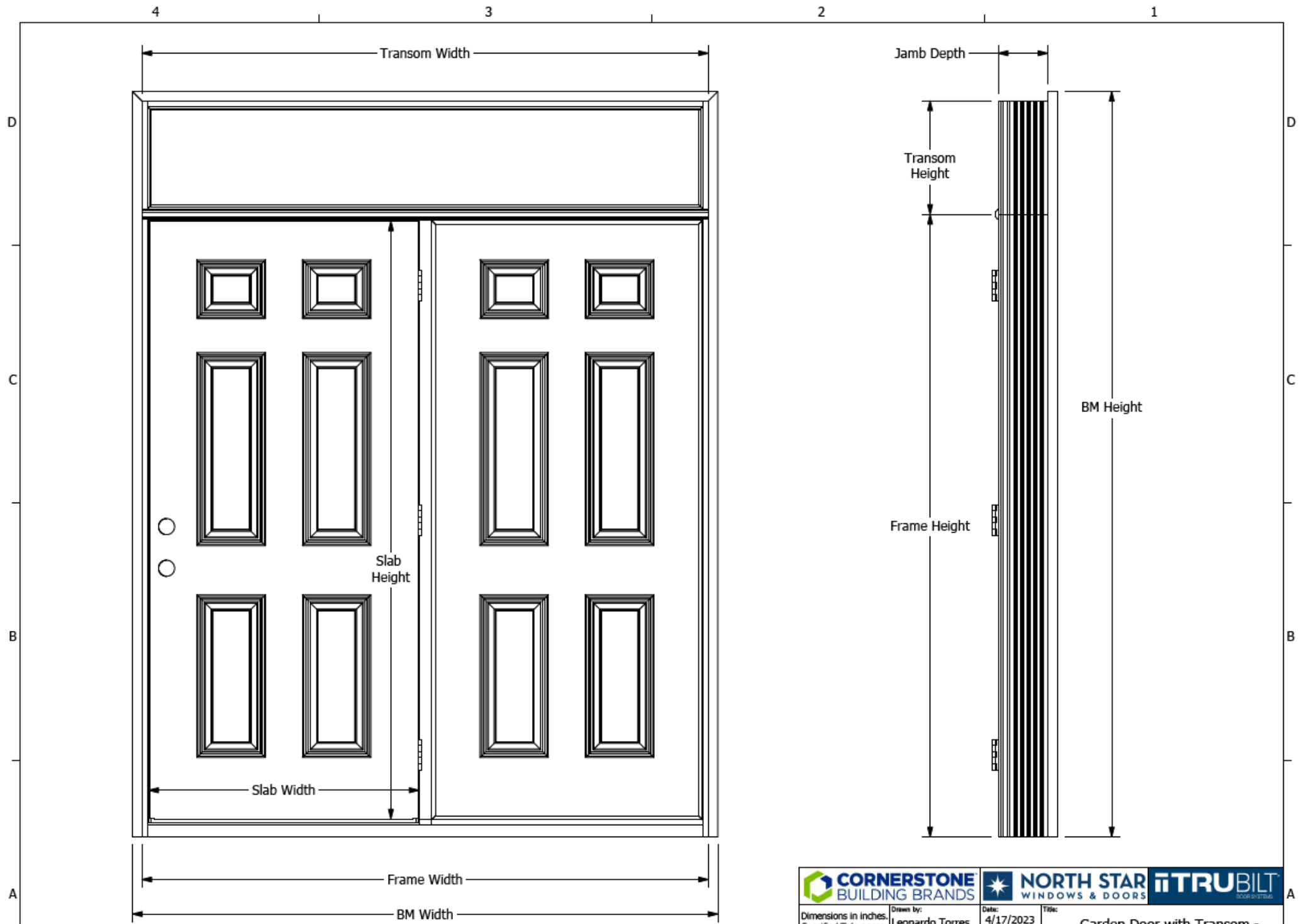


- Ellipse Top



- Half Arch

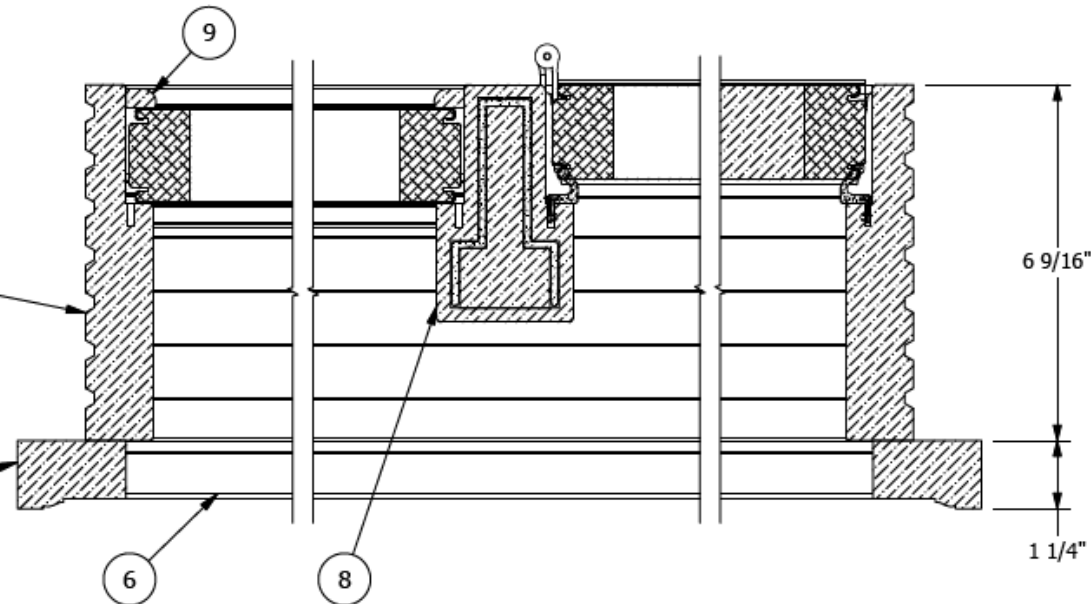
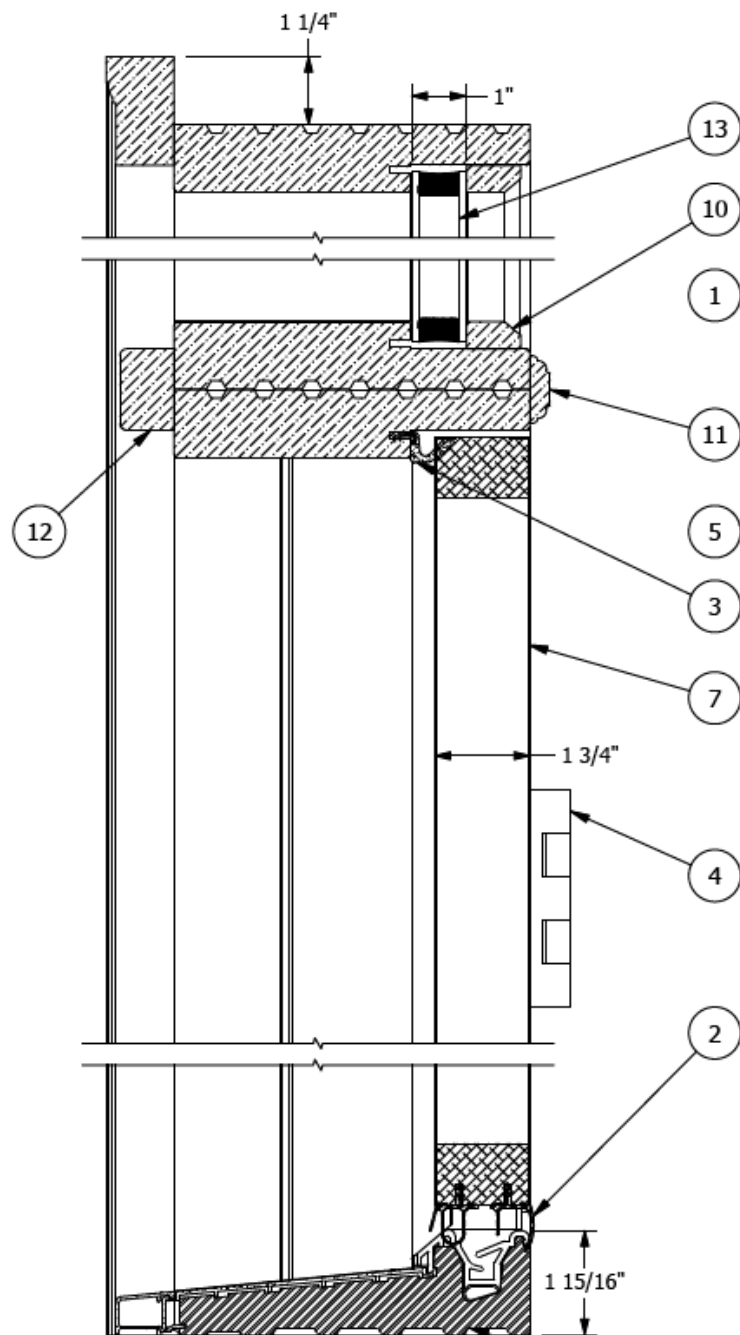




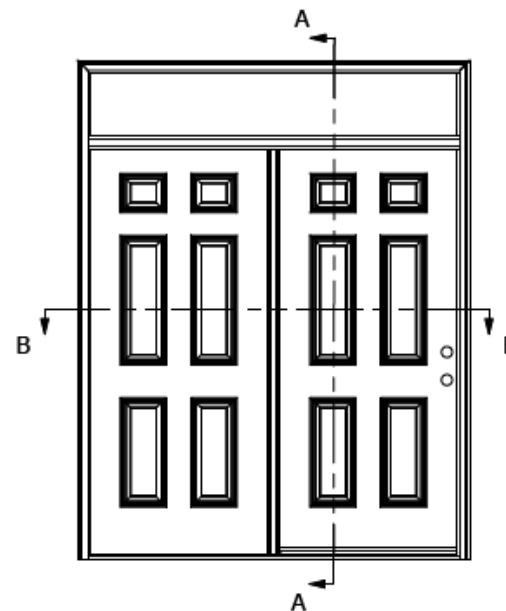
Dimensions in inches. Specified Tolerances: 0.00 ± 0.062 0.000 ± 0.005 X/X ± 1/16 X° ± 1°		Drawn by: <b>Leonardo Torres</b>	Date: <b>4/17/2023</b>	Title: <b>Garden Door with Transom - Elevation</b>	
		Checked by:	Date:		
		Approved by:	Date:	Sheet Size: <b>A</b>	Scale: <b>0.0625 : 1</b>
				<b>Page 1 of 1</b>	

CONFIDENTIAL: The information contained in this document is strictly confidential to North Star Windows and Doors and TruBilt Door Systems and may not be used in any way or for any purpose outside of the company without the express written consent of Cornerstone Building Brands. Unauthorized use, reproduction, disclosure or retention of any information contained herein is prohibited. All patent, copyright, proprietary and manufacturing rights are reserved.

Rev.: Description: Date: Approved:



Horizontal Section B-B



Bill Of Materials

Item	Qty	Part Number	Part Description
1	7	TBD	Composite 6 9-16" Jamb
2	1	TBD	Sweep
3	3	TBD	Weather Strip
4	3	TBD	Hinge
5	3	TBD	Brickmould
6	1	TBD	Std Nosing
7	1	TBD	Steel 6 Panel Slab
8	1	TBD	Alum Reinforced Post
9	4	TBD	Sidelite Stop
10	4	TBD	Glass Stop
11	1	TBD	1 1/4" Mull Casing
12	1	TBD	Mull Cover
13	1	TBD	IG Glass - Transom Double Post
14	1	TBD	High Performance Sill



Dimensions in inches.  
Specified Tolerances:  
0.00 ± 0.062  
0.000 ± 0.005  
X/X ± 1/16  
X° ± 1°

Drawn by: Leonardo Torres  
Checked by:  
Approved by:

Date: 4/17/2023  
Date:  
Date:

Title: Garden Door with Transom - Section View

Sheet Size: A  
Scale: 0.2813 : 1  
Page 1 of 1

7015 Double Door with Mullpost and Single Sidelite

Available standard sizes.

<u>Threshold Option</u>	<u>Frame Height (FH)</u>		<u>Slab Height (SH)</u>
	Nominal	Actual	
Inswing	6' 8"	82.25 in	79 in
	8' 0"	98.25 in	95 in
Outswing	6' 8"	81.5 in	79 in
	8' 0"	97.5 in	95 in
ADA (Wheelchair)	6' 8"	81.125 in	79 in
	8' 0"	97.125 in	95 in

\*Custom height slabs available. Certain restrictions apply. Please contact preferred dealer for more detailed information.

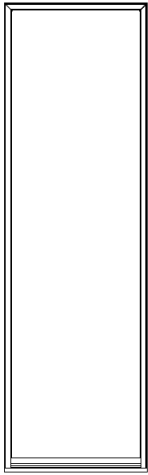
<u>Frame Width (FW)</u>	<u>Slab Width (SW)</u>		<u>Overall Frame Width for systems with sidelites</u>
	Nominal	Actual	
62.875 in	2' 6"	29.75 in	OA FW = FW + Sidelite Width
66.875 in	2' 8"	31.75 in	
70.875 in	2' 10"	33.75 in	
74.875 in	3' 0"	35.75 in	
86.875 in	**3' 6"	41.75 in	

\*Custom width slabs available. Certain restrictions apply. Please contact preferred dealer for more detailed information.

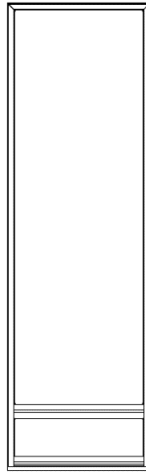
\*\*Certain restrictions apply. Please contact preferred dealer for more detailed information.



- Sidelite Options



Direct Set



Direct Set with Kick Panel



Panel Set

- Direct Set Sidelites

Kick panel option top and bottom also available  
 Maximum glass size limited to 20 ft<sup>2</sup>

- Panel Set Sidelites

<u>Frame Height (FH)</u>		<u>Panel Height (SH)</u>
Nominal	Actual	
6' 8"	82.25 in	79 in
8' 0"	98.25 in	95 in

\*Custom height sidelites available. Certain restrictions apply. Please contact preferred dealer for more detailed information.

<u>Sidelite Frame Width (SW)</u>	<u>Sidelite Panel Width (PW)</u>	
	Nominal	Actual
13.4375 in	1' 0"	11.875 in
15.4375 in	1' 2"	13.875 in
19.4375 in	1' 6"	17.875 in

\*Custom width sidelites available. Certain restrictions apply. Please contact preferred dealer for more detailed information.

4

3

2

1

D

D

C

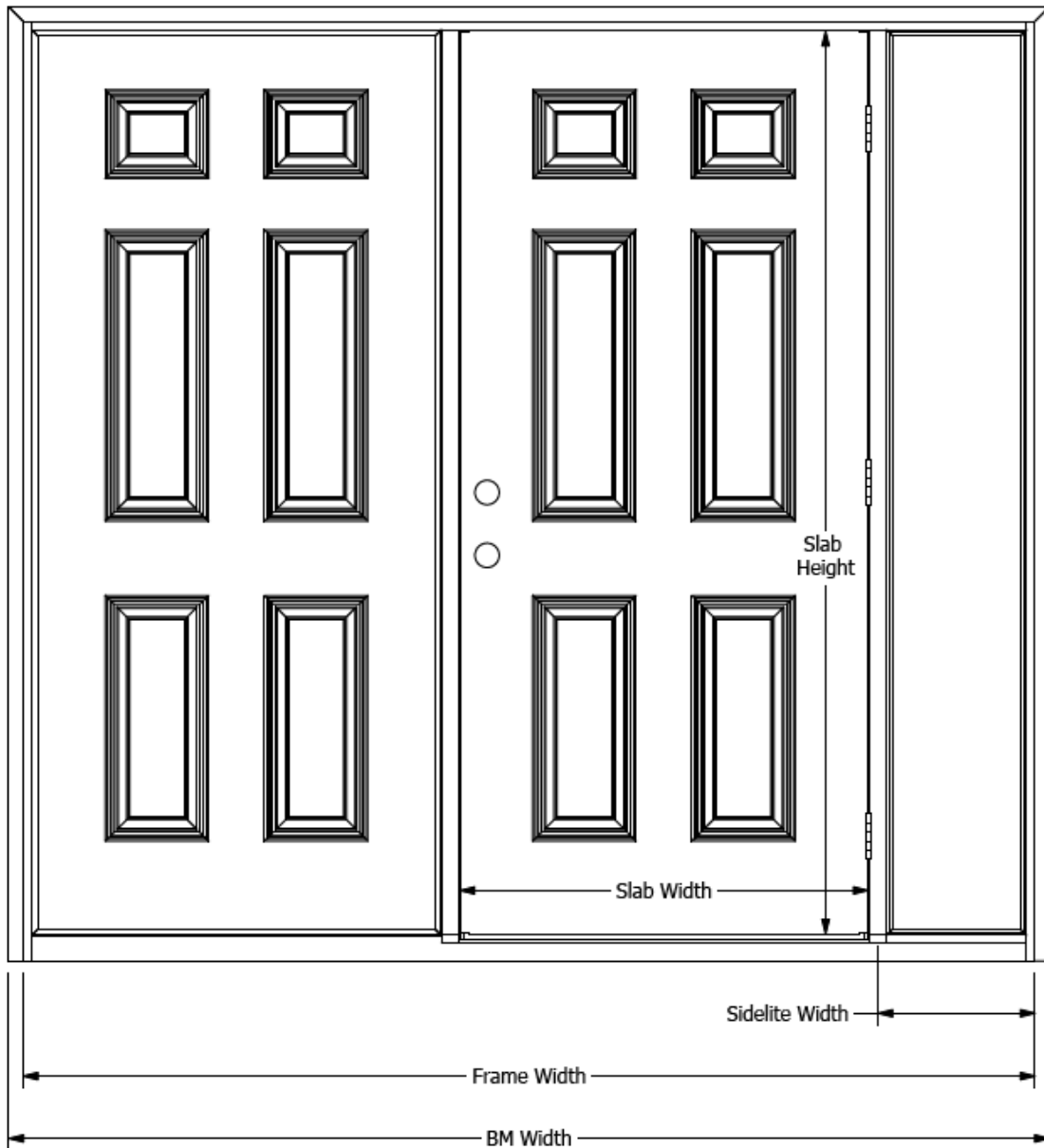
C

B

B

A

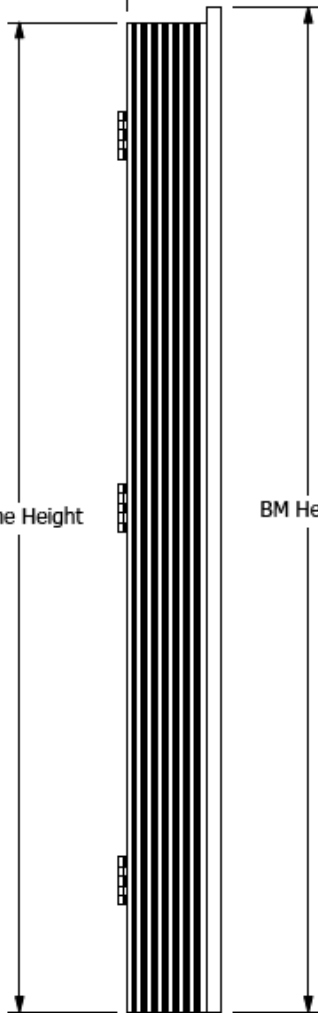
A



Jamb Depth

Frame Height

BM Height



Dimensions in inches, Specified Tolerances: 0.00 ± 0.062 0.000 ± 0.005 X/X ± 1/16 X° ± 1°		Drawn by: <b>Leonardo Torres</b>	Date: <b>4/17/2023</b>	Title: <b>Garden Door with Sidelite - Elevation</b>	
		Checked by:	Date:		
		Approved by:	Date:	Sheet Size: <b>A</b>	Scale: <b>0.0625 : 1</b>
				<b>Page 1 of 1</b>	

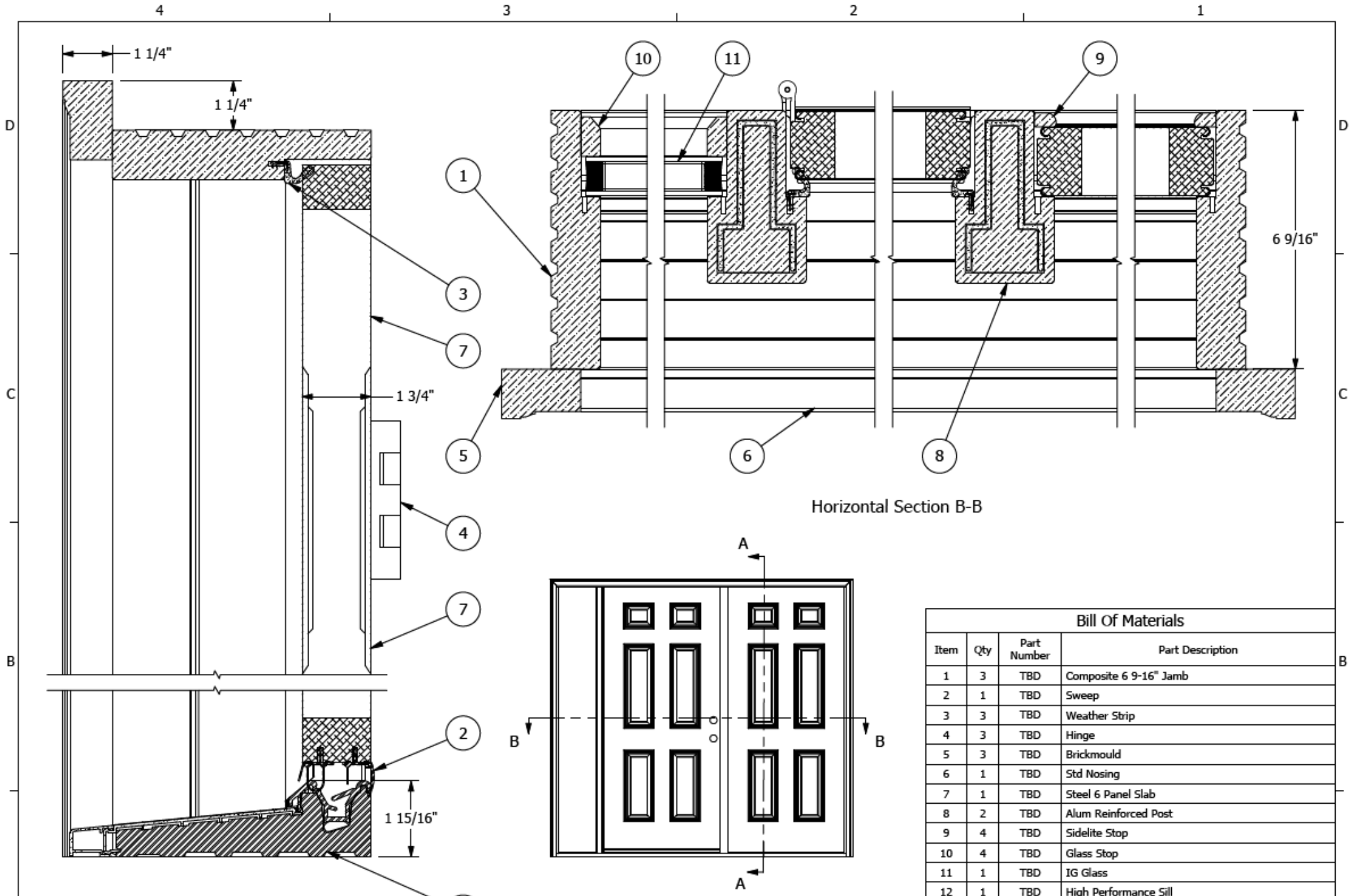
CONFIDENTIAL: The information contained in this document is strictly proprietary to North Star Windows and Doors and TruBilt Door Systems and may not be used in any way or for any purpose outside of the company without the express written consent of Cornerstone Building Brands. Unauthorized use, reproduction, disclosure or retention of any information contained herein is prohibited. All patent, copyright, proprietary and manufacturing rights are reserved.

4

3

2

1



Bill Of Materials			
Item	Qty	Part Number	Part Description
1	3	TBD	Composite 6 9-16" Jamb
2	1	TBD	Sweep
3	3	TBD	Weather Strip
4	3	TBD	Hinge
5	3	TBD	Brickmould
6	1	TBD	Std Nosing
7	1	TBD	Steel 6 Panel Slab
8	2	TBD	Alum Reinforced Post
9	4	TBD	Sidelite Stop
10	4	TBD	Glass Stop
11	1	TBD	IG Glass
12	1	TBD	High Performance Sill

**Garden Door with Sidelite - Section View**

Dimensions in inches. Specified Tolerances: 0.00 ± 0.062 0.000 ± 0.005 X/X ± 1/16 X° ± 1°	Drawn by: Leonardo Torres Checked by: Approved by:	Date: 4/17/2023 Date: Date:	Title: Garden Door with Sidelite - Section View Sheet Size: A Scale: 0.3125 : 1
---	--	-----------------------------------	---

7016 Double Door with Mullpost, Single Sidelite and Transom

Available standard sizes.

<u>Threshold Option</u>	<u>Frame Height (FH)</u>		<u>Slab Height (SH)</u>	<u>Overall Frame Height for systems with transoms</u>
	Nominal	Actual		
Inswing	6' 8"	82.25 in	79 in	OA FH = FH + Transom Height  For example: OA FH = 81.75 in + 10 in = 91.75 in
	8' 0"	98.25 in	95 in	
Outswing	6' 8"	81.5 in	79 in	
	8' 0"	97.5 in	95 in	
ADA (Wheelchair)	6' 8"	81.125 in	79 in	
	8' 0"	97.125 in	95 in	

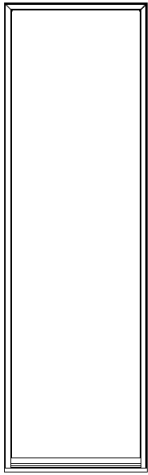
\*Custom height slabs available. Certain restrictions apply. Please contact preferred dealer for more detailed information.

<u>Frame Width (FW)</u>	<u>Slab Width (SW)</u>		<u>Overall Frame Width for systems with sidelites</u>
	Nominal	Actual	
62.875 in	2' 6"	29.75 in	OA FW = FW + Sidelite Width
66.875 in	2' 8"	31.75 in	
70.875 in	2' 10"	33.75 in	
74.875 in	3' 0"	35.75 in	
86.875 in	**3' 6"	41.75 in	

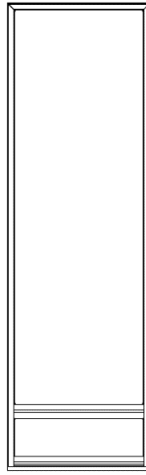
\*Custom width slabs available. Certain restrictions apply. Please contact preferred dealer for more detailed information.

\*\*Certain restrictions apply. Please contact preferred dealer for more detailed information.

- Sidelite Options



Direct Set



Direct Set with Kick Panel



Panel Set

- Direct Set Sidelites

Kick panel option top and bottom also available  
 Maximum glass size limited to 20 ft<sup>2</sup>

- Panel Set Sidelites

<u>Frame Height (FH)</u>		<u>Panel Height (SH)</u>
Nominal	Actual	
6' 8"	82.25 in	79 in
8' 0"	98.25 in	95 in

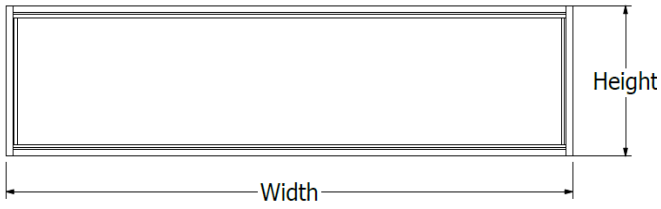
\*Custom height sidelites available. Certain restrictions apply. Please contact preferred dealer for more detailed information.

<u>Sidelite Frame Width (SW)</u>	<u>Sidelite Panel Width (PW)</u>	
	Nominal	Actual
13.4375 in	1' 0"	11.875 in
15.4375 in	1' 2"	13.875 in
19.4375 in	1' 6"	17.875 in

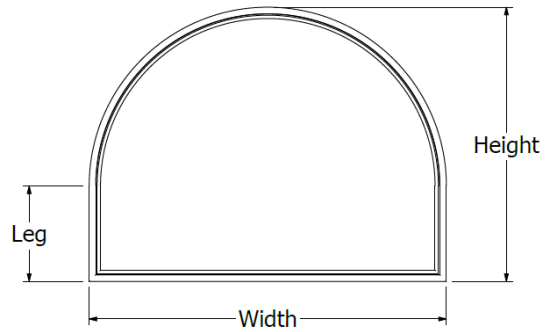
\*Custom width sidelites available. Certain restrictions apply. Please contact preferred dealer for more detailed information.

- Transom Options

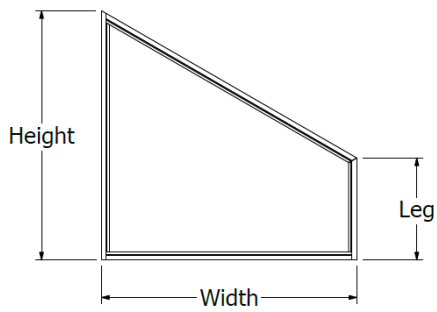
- Rectangular



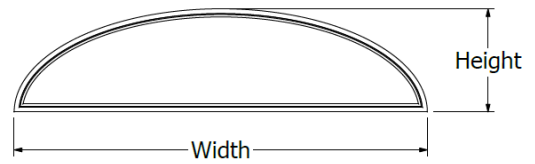
- Extended Arch



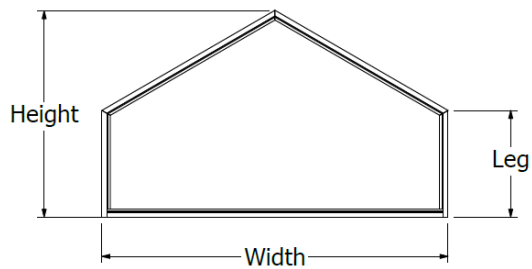
- Trapezoid



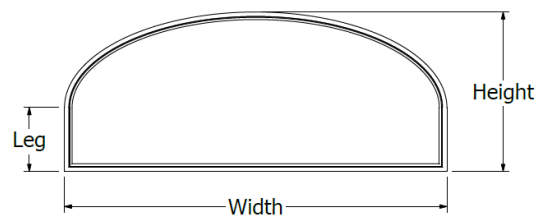
- True Ellipse



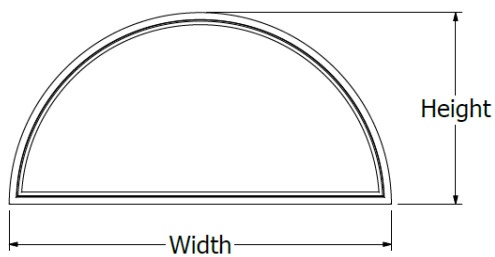
- Pentagon



- Ellipse Top



- Half Arch

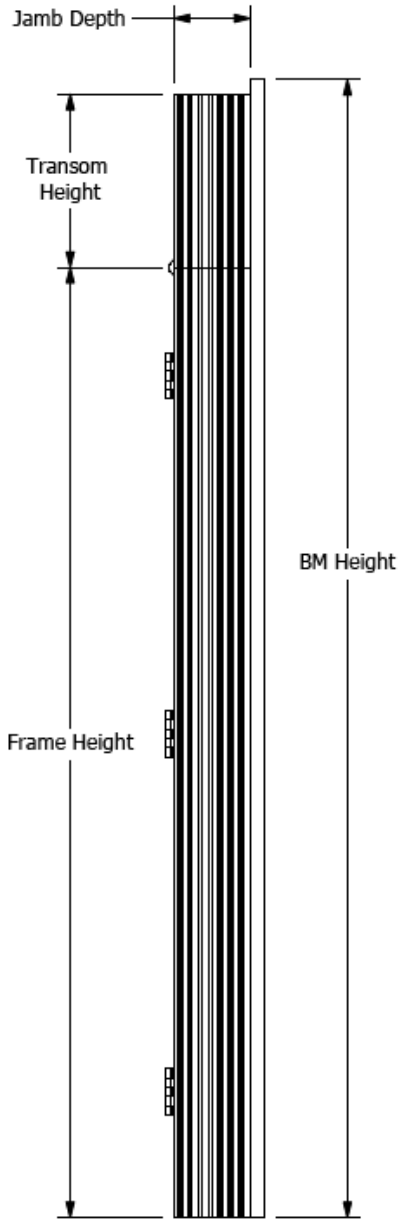
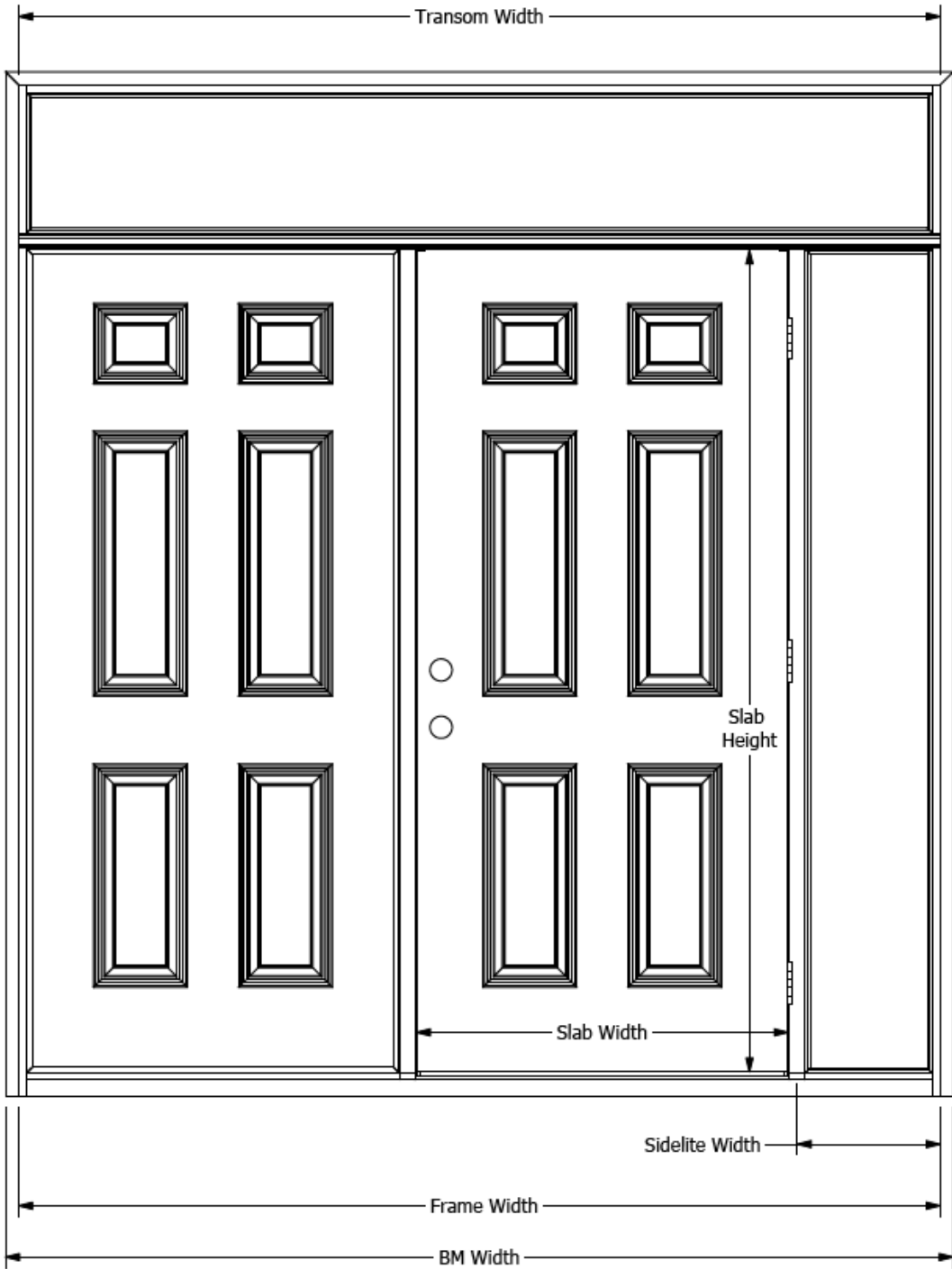


4

3

2

1



			Title: Garden Door with Sidelite and Transom - Elevation	
			Drawn by: Leonardo Torres Checked by: Approved by:	Date: 4/17/2023 Date: Date:
Dimensions in inches. Specified Tolerances: 0.00 ± 0.062 0.000 ± 0.005 X/X ± 1/16 X° ± 1°			Sheet Size: A	Scale: 0.06 : 1

**CONFIDENTIAL** The information contained in this document is strictly confidential to North Star Windows and Doors and TruBilt Door Systems and may not be used in any way or for any purpose outside of the company without the express written consent of Cornerstone Building Brands. Unauthorized use, reproduction, disclosure or retention of any information contained herein is prohibited. All patent, copyright, proprietary and manufacturing rights are reserved.

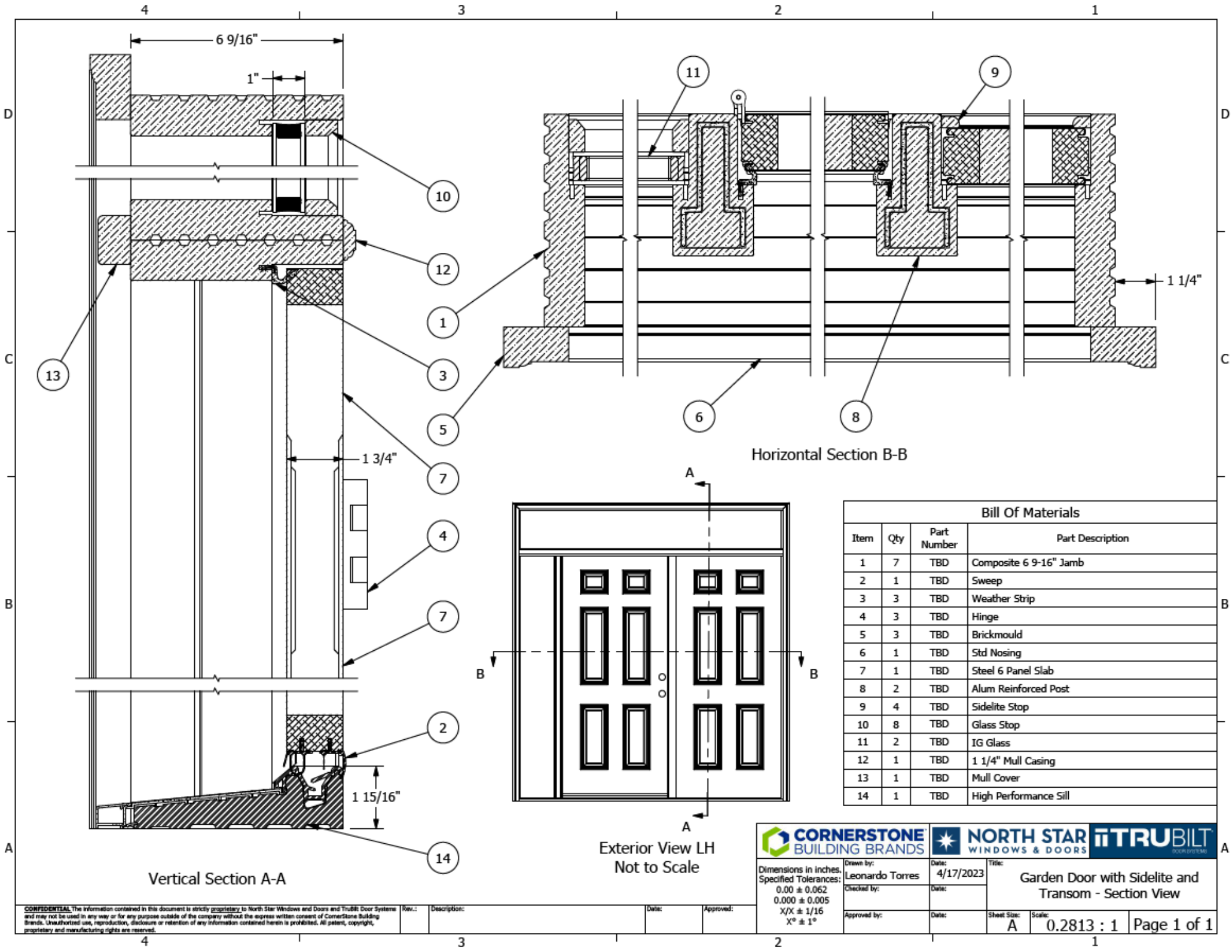
Rev.: Description: Date: Approved:

4

3

2

1



Bill Of Materials			
Item	Qty	Part Number	Part Description
1	7	TBD	Composite 6 9-16" Jamb
2	1	TBD	Sweep
3	3	TBD	Weather Strip
4	3	TBD	Hinge
5	3	TBD	Brickmould
6	1	TBD	Std Nosing
7	1	TBD	Steel 6 Panel Slab
8	2	TBD	Alum Reinforced Post
9	4	TBD	Sidelite Stop
10	8	TBD	Glass Stop
11	2	TBD	IG Glass
12	1	TBD	1 1/4" Mull Casing
13	1	TBD	Mull Cover
14	1	TBD	High Performance Sill

			Drawn by: Leonardo Torres Date: 4/17/2023 Title: Garden Door with Sidelite and Transom - Section View
			Dimensions in inches, Specified Tolerances: 0.00 ± 0.062 0.000 ± 0.005 X/X ± 1/16 X° ± 1°
Checkd by: Approved by:	Date: Date:	Sheet Size: A Scale: 0.2813 : 1	Page 1 of 1

**CONFIDENTIAL** The information contained in this document is strictly proprietary to North Star Windows and Doors and TruBilt Door Systems and may not be used in any way or for any purpose outside of the company without the express written consent of Cornerstone Building Brands. Unauthorized use, reproduction, disclosure or retention of any information contained herein is prohibited. All patent, copyright, proprietary and manufacturing rights are reserved.



7017 Double Door with Mullpost and Double Sidelite

Available standard sizes.

<u>Threshold Option</u>	<u>Frame Height (FH)</u>		<u>Slab Height (SH)</u>
	Nominal	Actual	
Inswing	6' 8"	82.25 in	79 in
	8' 0"	98.25 in	95 in
Outswing	6' 8"	81.5 in	79 in
	8' 0"	97.5 in	95 in
ADA (Wheelchair)	6' 8"	81.125 in	79 in
	8' 0"	97.125 in	95 in

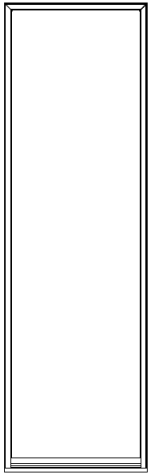
\*Custom height slabs available. Certain restrictions apply. Please contact preferred dealer for more detailed information.

<u>Frame Width (FW)</u>	<u>Slab Width (SW)</u>		<u>Overall Frame Width for systems with sidelites</u>
	Nominal	Actual	
62.875 in	2' 6"	29.75 in	OA FW = FW + (2 x Sidelite Width)
66.875 in	2' 8"	31.75 in	
70.875 in	2' 10"	33.75 in	
74.875 in	3' 0"	35.75 in	
86.875 in	**3' 6"	41.75 in	

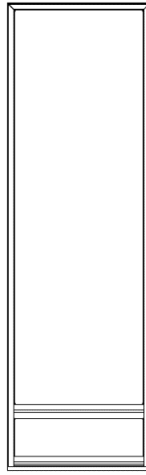
\*Custom width slabs available. Certain restrictions apply. Please contact preferred dealer for more detailed information.

\*\*Certain restrictions apply. Please contact preferred dealer for more detailed information.

- Sidelite Options



Direct Set



Direct Set with Kick Panel



Panel Set

- Direct Set Sidelites

Kick panel option top and bottom also available  
 Maximum glass size limited to 20 ft<sup>2</sup>

- Panel Set Sidelites

<u>Frame Height (FH)</u>		<u>Panel Height (SH)</u>
Nominal	Actual	
6' 8"	82.25 in	79 in
8' 0"	98.25 in	95 in

\*Custom height sidelites available. Certain restrictions apply. Please contact preferred dealer for more detailed information.

<u>Sidelite Frame Width (SW)</u>	<u>Sidelite Panel Width (PW)</u>	
	Nominal	Actual
13.4375 in	1' 0"	11.875 in
15.4375 in	1' 2"	13.875 in
19.4375 in	1' 6"	17.875 in

\*Custom width sidelites available. Certain restrictions apply. Please contact preferred dealer for more detailed information.

4

3

2

1

D

D

C

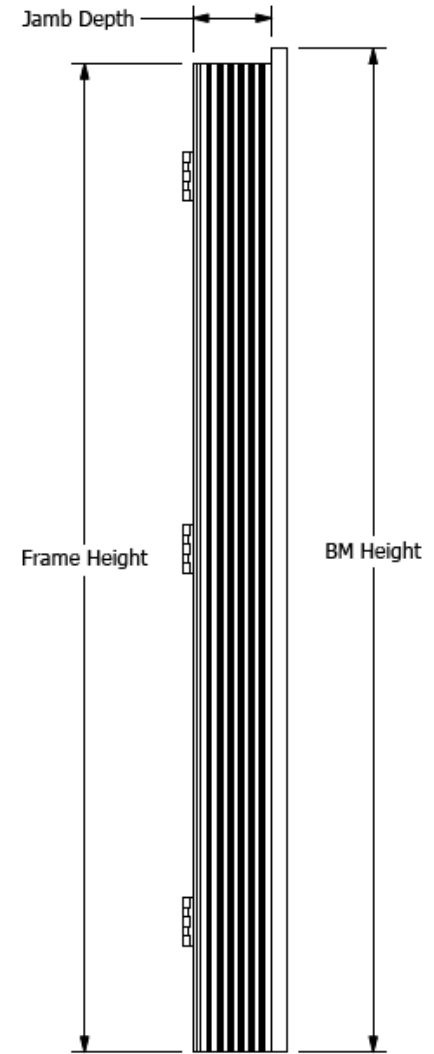
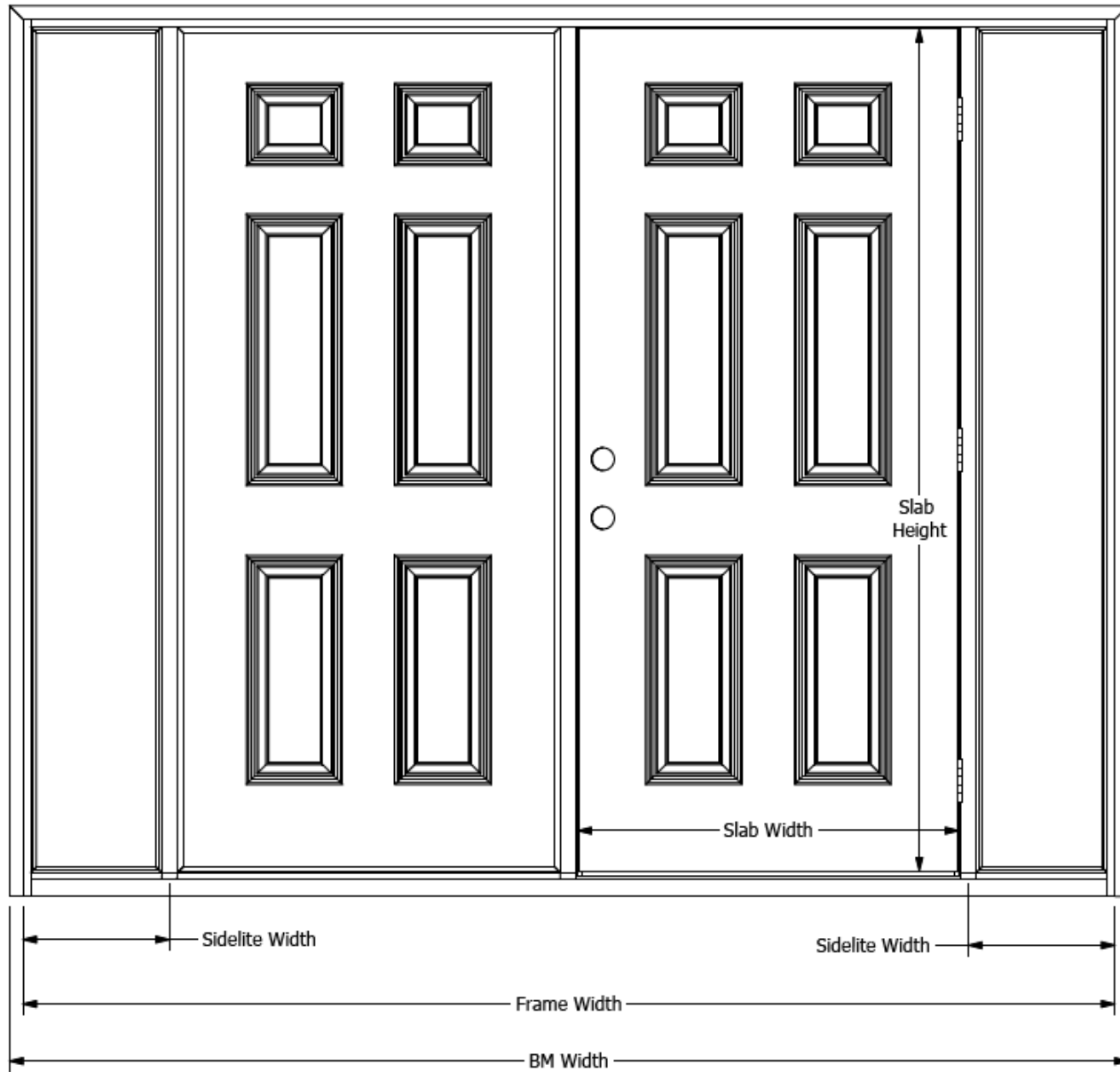
C

B

B

A

A



Dimensions in inches. Specified Tolerances: 0.00 ± 0.062 0.000 ± 0.005 X/X ± 1/16 X° ± 1°		Drawn by: <b>Leonardo Torres</b>	Date: <b>4/17/2023</b>	Title: <b>Garden Door with Double Sidelite - Elevation</b>	
		Checked by:	Date:		
		Approved by:	Date:	Sheet Size: <b>A</b>	Scale: <b>0.0625 : 1</b>

**CONFIDENTIAL** The information contained in this document is strictly confidential to North Star Windows and Doors and TruBilt Door Systems and may not be used in any way or for any purpose outside of the company without the express written consent of Cornerstone Building Brands. Unauthorized use, reproduction, disclosure or retention of any information contained herein is prohibited. All patent, copyright, proprietary and manufacturing rights are reserved.

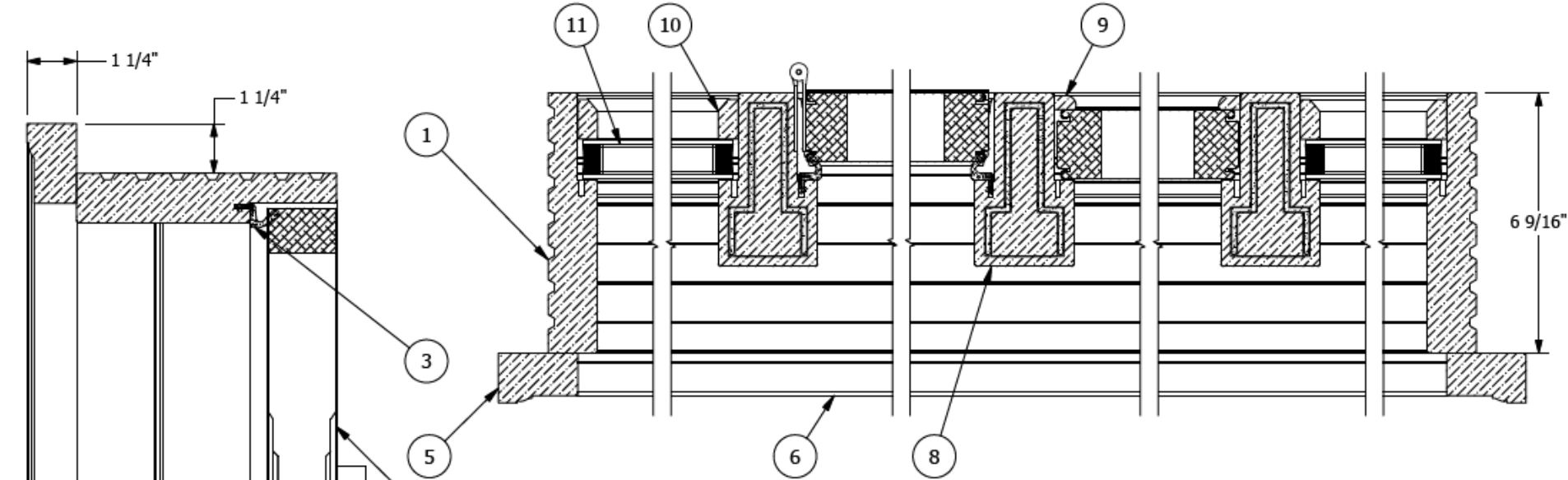
Rev.: \_\_\_\_\_ Description: \_\_\_\_\_ Date: \_\_\_\_\_ Approved: \_\_\_\_\_

4

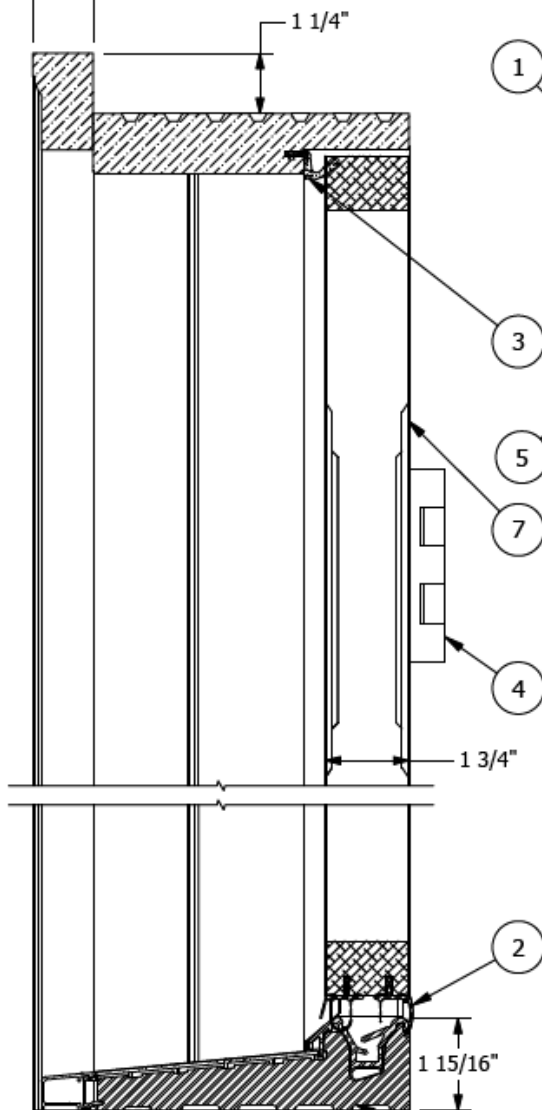
3

2

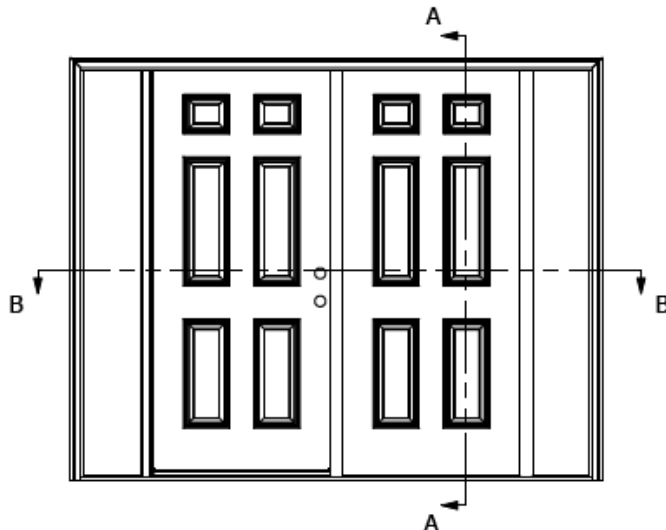
1



Horizontal Section B-B



Vertical Section A-A



Exterior View LH  
Not to Scale

Bill Of Materials			
Item	Qty	Part Number	Part Description
1	3	TBD	Composite 6 9-16" Jamb
2	1	TBD	Sweep
3	3	TBD	Weather Strip
4	3	TBD	Hinge
5	3	TBD	Brickmould
6	1	TBD	Std Nosing
7	1	TBD	Steel 6 Panel Slab
8	3	TBD	Alum Reinforced Post
9	4	TBD	Sidelite Stop
10	8	TBD	Glass Stop
11	2	TBD	IG Glass
12	1	TBD	High Performance Sill

Dimensions in inches. Specified Tolerances:  
 0.00 ± 0.062  
 0.000 ± 0.005  
 X/X ± 1/16  
 X° ± 1°

Drawn by: Leonardo Torres Date: 4/17/2023  
 Checked by: Date:  
 Approved by: Date:

Title: Garden Door with Double Sidelite - Section View

Sheet Size: A Scale: 0.25 : 1 Page 1 of 1

7018 Double Door with Mullpost, Double Sidelite and Transom

Available standard sizes.

<u>Threshold Option</u>	<u>Frame Height (FH)</u>		<u>Slab Height (SH)</u>	<u>Overall Frame Height for systems with transoms</u>
	Nominal	Actual		
Inswing	6' 8"	82.25 in	79 in	OA FH = FH + Transom Height  For example: OA FH = 81.75 in + 10 in = 91.75 in
	8' 0"	98.25 in	95 in	
Outswing	6' 8"	81.5 in	79 in	
	8' 0"	97.5 in	95 in	
ADA (Wheelchair)	6' 8"	81.125 in	79 in	
	8' 0"	97.125 in	95 in	

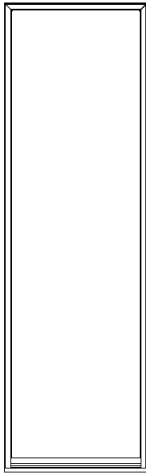
\*Custom height slabs available. Certain restrictions apply. Please contact preferred dealer for more detailed information.

<u>Frame Width (FW)</u>	<u>Slab Width (SW)</u>		<u>Overall Frame Width for systems with sidelites</u>
	Nominal	Actual	
62.875 in	2' 6"	29.75 in	OA FW = FW + (2 x Sidelite Width)
66.875 in	2' 8"	31.75 in	
70.875 in	2' 10"	33.75 in	
74.875 in	3' 0"	35.75 in	
86.875 in	**3' 6"	41.75 in	

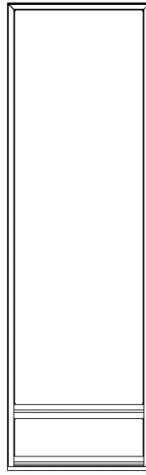
\*Custom width slabs available. Certain restrictions apply. Please contact preferred dealer for more detailed information.

\*\*Certain restrictions apply. Please contact preferred dealer for more detailed information.

- Sidelite Options



Direct Set



Direct Set with Kick Panel



Panel Set

- Direct Set Sidelites

Kick panel option top and bottom also available  
 Maximum glass size limited to 20 ft<sup>2</sup>

- Panel Set Sidelites

<u>Frame Height (FH)</u>		<u>Panel Height (SH)</u>
Nominal	Actual	
6' 8"	82.25 in	79 in
8' 0"	98.25 in	95 in

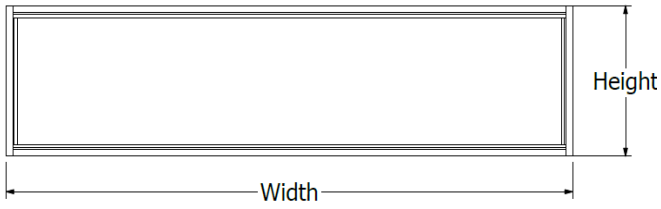
\*Custom height sidelites available. Certain restrictions apply. Please contact preferred dealer for more detailed information.

<u>Sidelite Frame Width (SW)</u>	<u>Sidelite Panel Width (PW)</u>	
	Nominal	Actual
13.4375 in	1' 0"	11.875 in
15.4375 in	1' 2"	13.875 in
19.4375 in	1' 6"	17.875 in

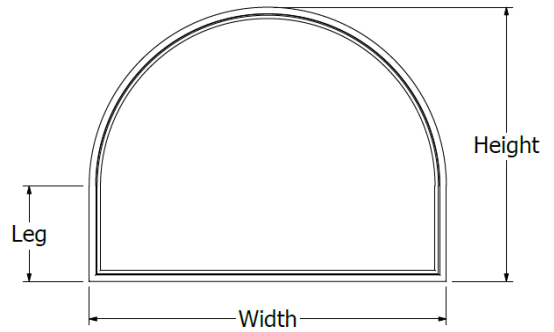
\*Custom width sidelites available. Certain restrictions apply. Please contact preferred dealer for more detailed information.

• Transom Options

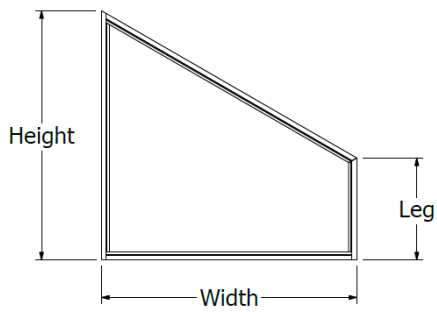
– Rectangular



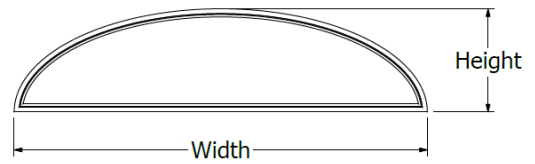
– Extended Arch



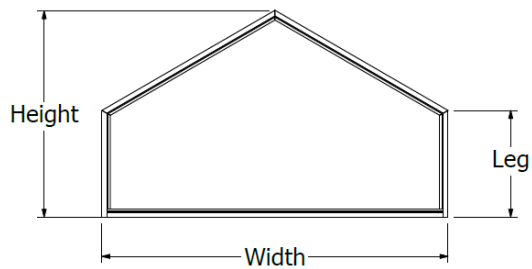
– Trapezoid



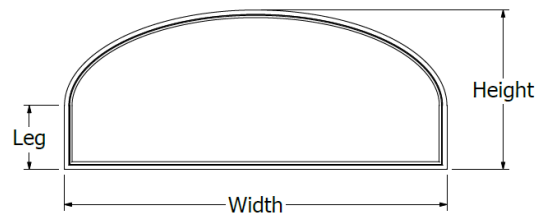
– True Ellipse



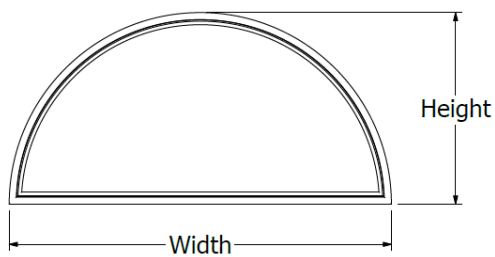
– Pentagon



– Ellipse Top



– Half Arch



4

3

2

1

D

D

C

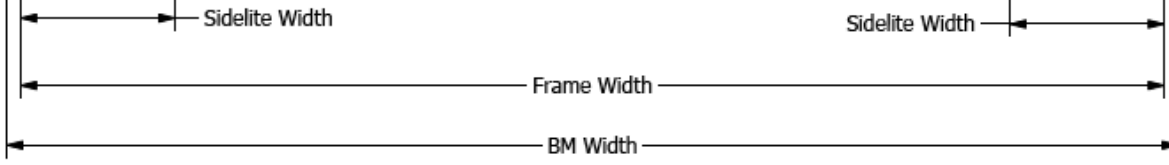
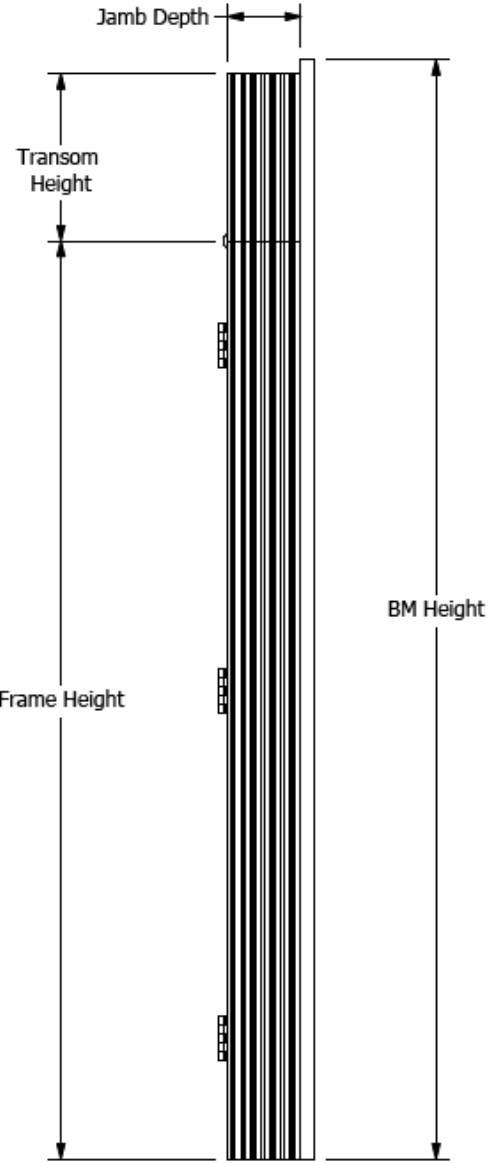
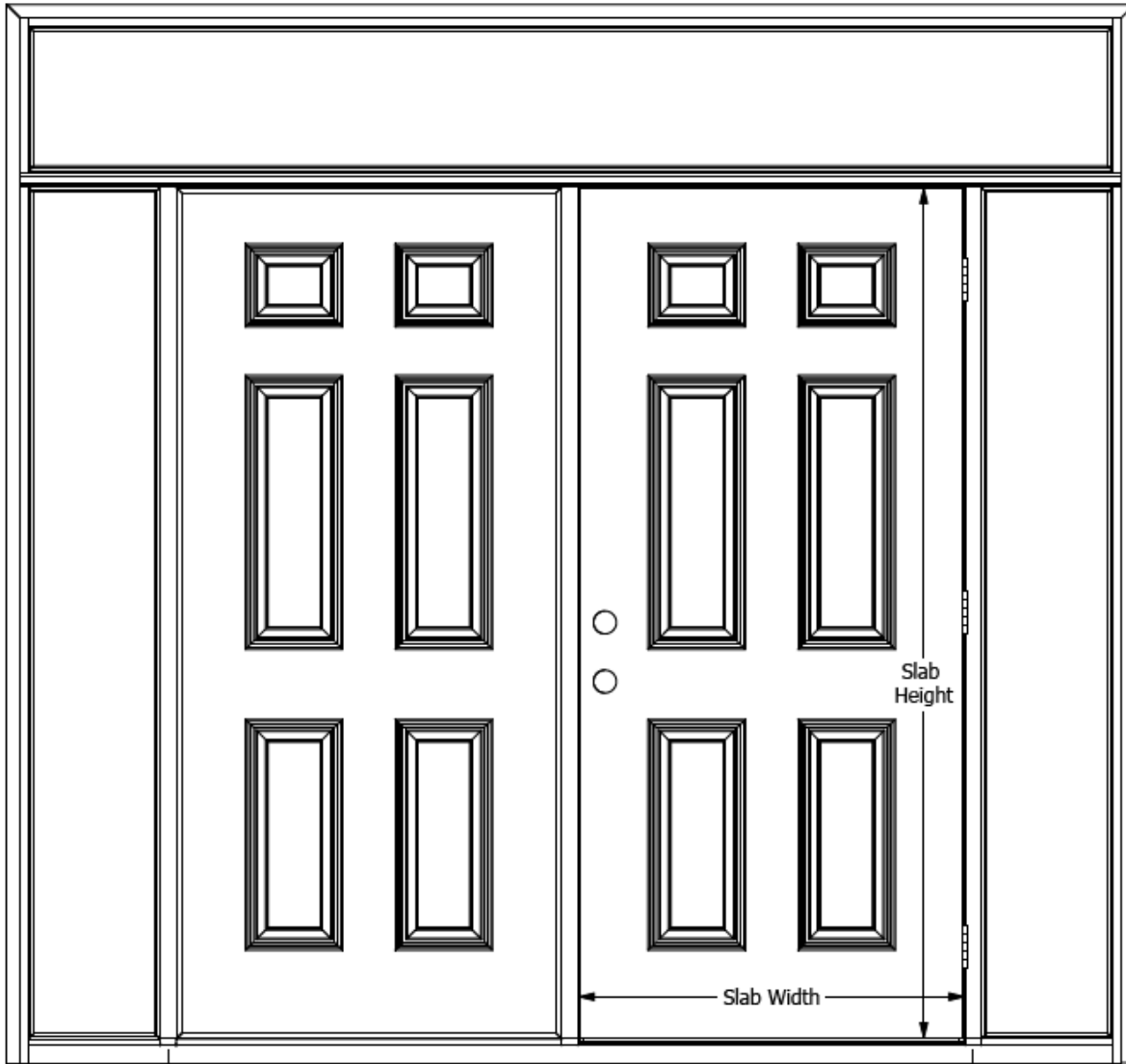
C

B

B

A

A



Dimensions in inches, Specified Tolerances: 0.00 ± 0.062 0.000 ± 0.005 X/X ± 1/16 X° ± 1°		Drawn by: <b>Leonardo Torres</b>	Date: <b>4/17/2023</b>	Title: <b>Garden Door with Double Sidelite and Transom</b>	
		Checked by:	Date:		
		Approved by:	Date:	Sheet Size: <b>A</b>	Scale: <b>0.058 : 1</b>
				<b>Page 1 of 1</b>	

4

3

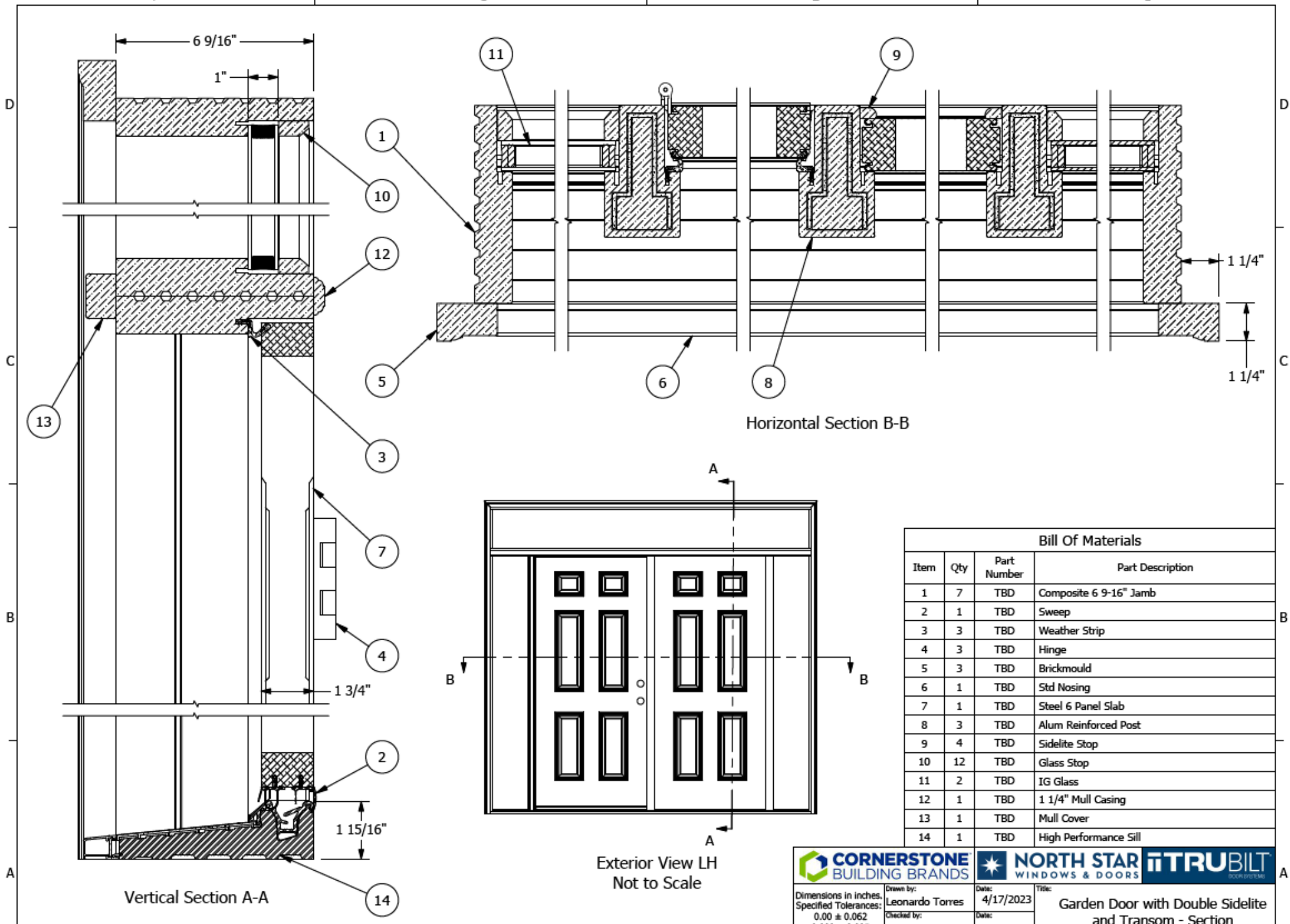
2

1

CONFIDENTIAL: The information contained in this document is strictly proprietary to North Star Windows and Doors and TruBilt Door Systems and may not be used in any way or for any purpose outside of the company without the express written consent of Cornerstone Building Brands. Unauthorized use, reproduction, disclosure or retention of any information contained herein is prohibited. All patent, copyright, proprietary and manufacturing rights are reserved.

Rev.: \_\_\_\_\_ Description: \_\_\_\_\_ Date: \_\_\_\_\_ Approved: \_\_\_\_\_





Horizontal Section B-B

Exterior View LH  
Not to Scale

Bill Of Materials

Item	Qty	Part Number	Part Description
1	7	TBD	Composite 6 9-16" Jamb
2	1	TBD	Sweep
3	3	TBD	Weather Strip
4	3	TBD	Hinge
5	3	TBD	Brickmould
6	1	TBD	Std Nosing
7	1	TBD	Steel 6 Panel Slab
8	3	TBD	Alum Reinforced Post
9	4	TBD	Sidelite Stop
10	12	TBD	Glass Stop
11	2	TBD	IG Glass
12	1	TBD	1 1/4" Mull Casing
13	1	TBD	Mull Cover
14	1	TBD	High Performance Sill

**CORNERSTONE BUILDING BRANDS** **NORTH STAR WINDOWS & DOORS** **ITRUBILT**

Dimensions in inches, Specified Tolerances:  
 0.00 ± 0.062  
 0.000 ± 0.005  
 X/X ± 1/16  
 X° ± 1°

Drawn by: Leonardo Torres Date: 4/17/2023  
 Checked by: Date:  
 Approved by: Date:

Title: Garden Door with Double Sidelite and Transom - Section  
 Sheet Size: A Scale: 0.25 : 1

7019 Triple Door

Available standard sizes.

<u>Threshold Option</u>	<u>Frame Height (FH)</u>		<u>Slab Height (SH)</u>
	Nominal	Actual	
Inswing	6' 8"	82.25 in	79 in
	8' 0"	98.25 in	95 in
Outswing	6' 8"	81.5 in	79 in
	8' 0"	97.5 in	95 in
ADA (Wheelchair)	6' 8"	81.125 in	79 in
	8' 0"	97.125 in	95 in

\*Custom height slabs available. Certain restrictions apply. Please contact preferred dealer for more detailed information.

<u>Frame Width (FW)</u>	<u>Slab Width (SW)</u>	
	Nominal	Actual
94.5 in	2' 6"	29.75 in
100.5 in	2' 8"	31.75 in
106.5 in	2' 10"	33.75 in
112.5 in	3' 0"	35.75 in
130.5 in	**3' 6"	41.75 in

\*Custom width slabs available. Certain restrictions apply. Please contact preferred dealer for more detailed information.

\*\*Certain restrictions apply. Please contact preferred dealer for more detailed information.

4

3

2

1

D

D

C

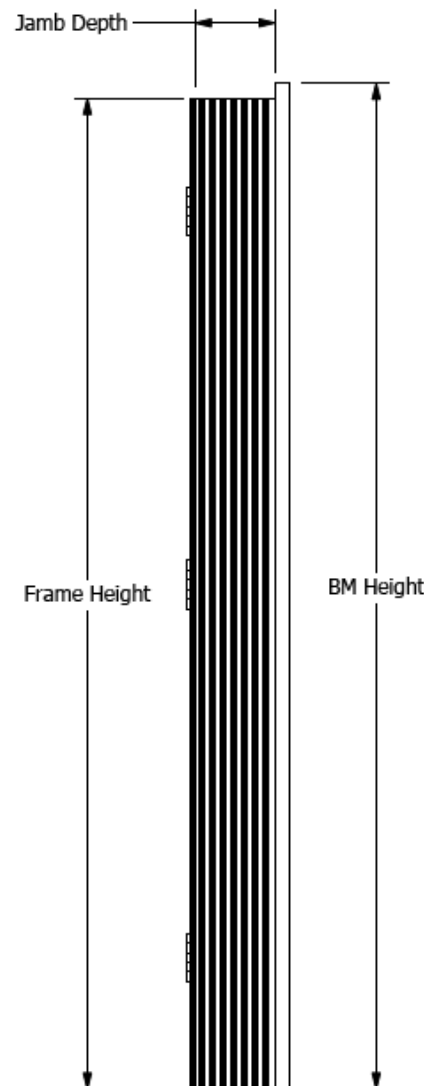
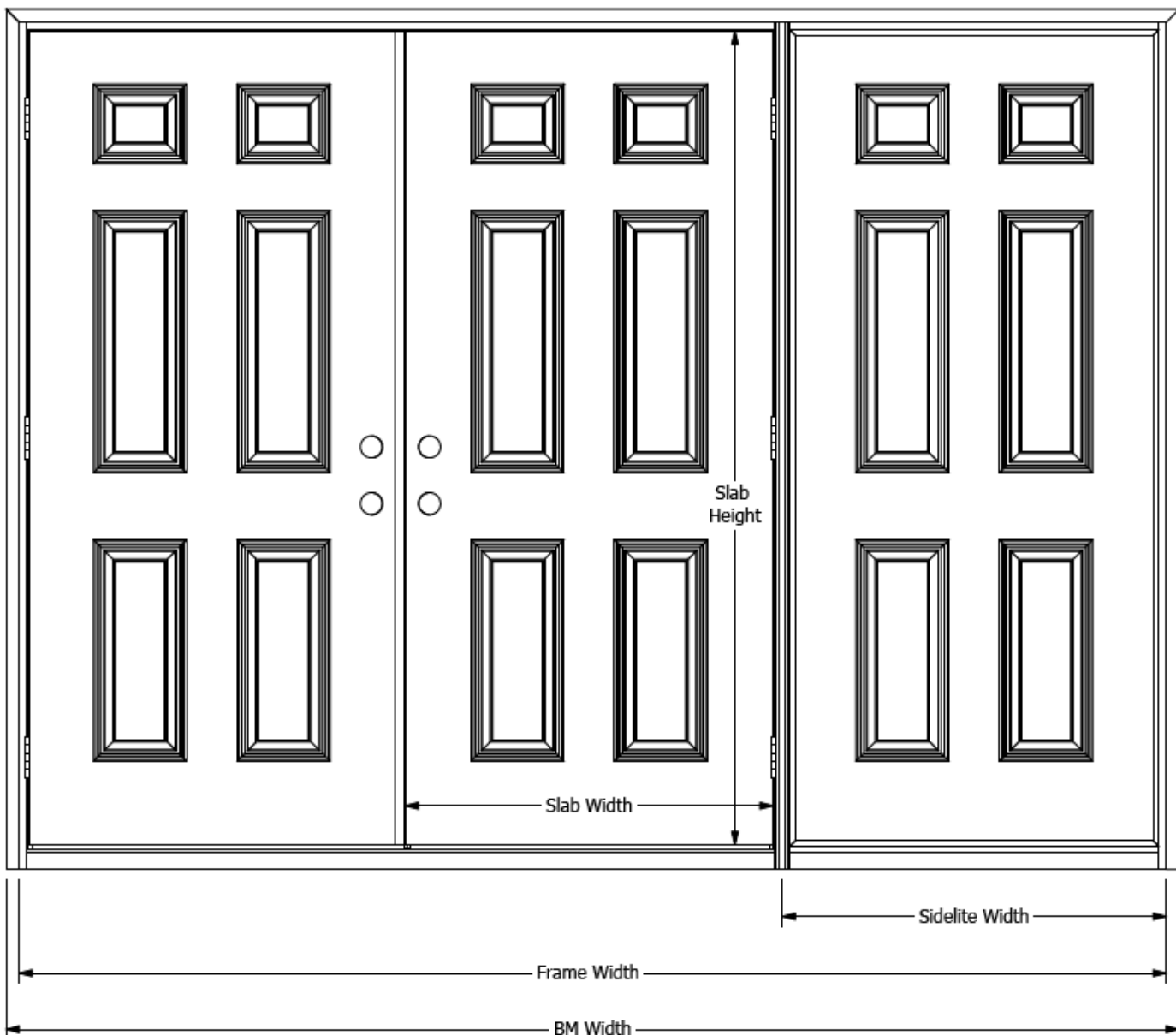
C

B

B

A

A



Dimensions in inches, Specified Tolerances: 0.00 ± 0.062 0.000 ± 0.005 X/X ± 1/16 X° ± 1°		Drawn by: <b>Leonardo Torres</b>	Date: <b>4/17/2023</b>	Title: <b>19.1- Triple Door - Elevation</b>	
		Checked by:	Date:		
		Approved by:	Date:	Sheet Size: <b>A</b>	Scale: <b>0.0625 : 1</b>
				<b>Page 1 of 1</b>	

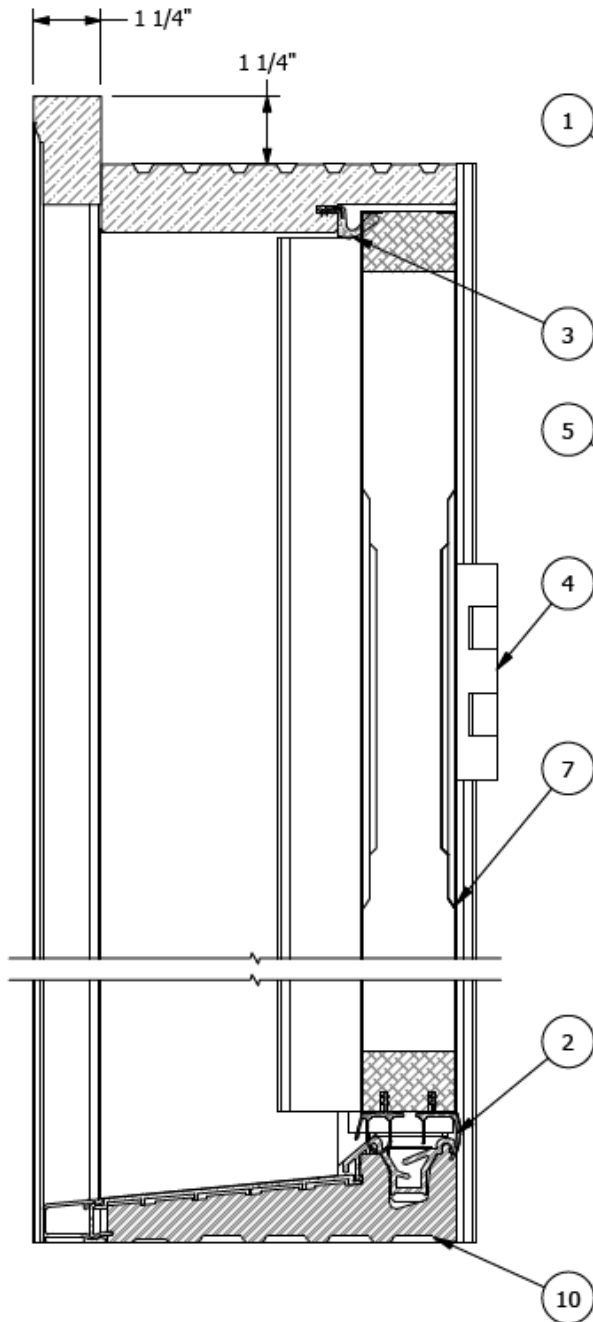
CONFIDENTIAL. The information contained in this document is strictly proprietary to North Star Windows and Doors and TruBilt Door Systems and may not be used in any way or for any purpose outside of the express written consent of Cornerstone Building Brands. Unauthorized use, reproduction, disclosure or retention of any information contained herein is prohibited. All patent, copyright, proprietary and manufacturing rights are reserved.

4

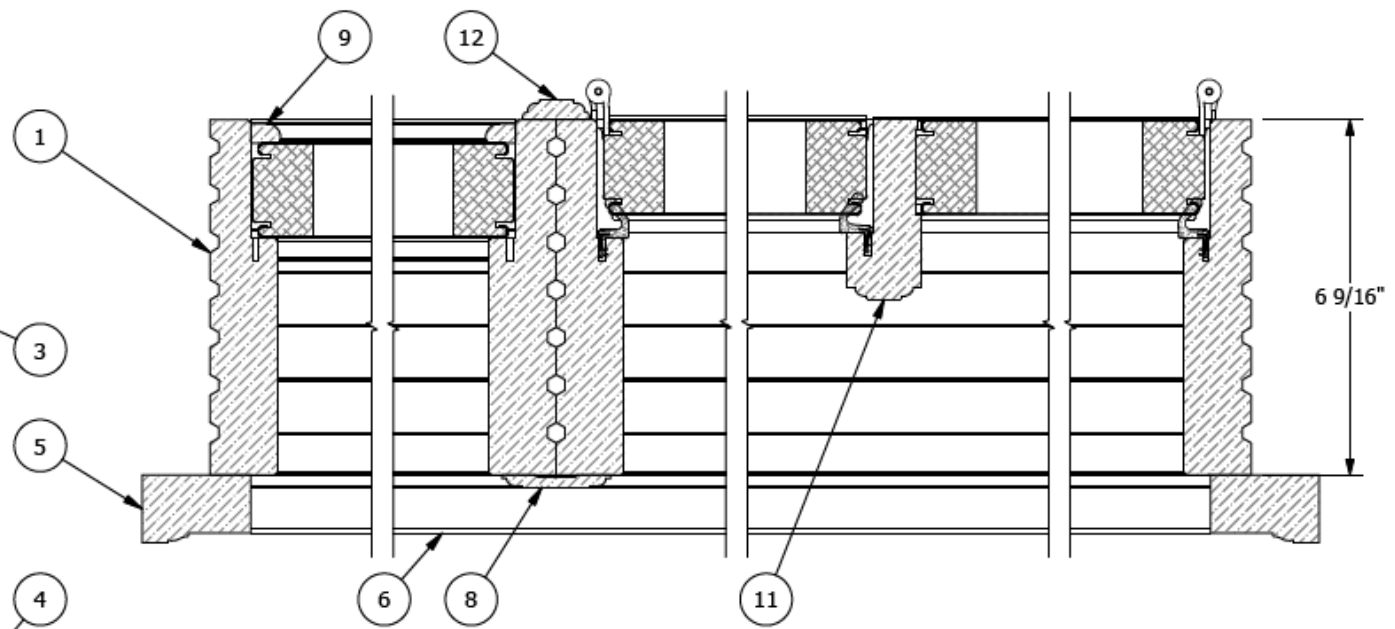
3

2

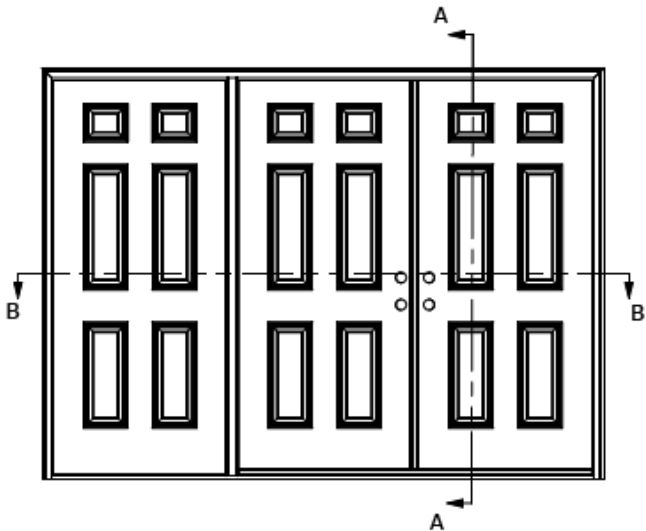
1



Vertical Section A-A



Horizontal Section B-B



Exterior View LH  
Not to Scale

Bill Of Materials			
Item	Qty	Part Number	Part Description
1	6	TBD	Composite 6 9-16" Jamb
2	2	TBD	Sweep
3	4	TBD	Weather Strip
4	3	TBD	Hinge
5	3	TBD	Brickmould
6	1	TBD	Std Nosing
7	2	TBD	Steel 6 Panel Slab
8	1	TBD	2 in Mull Casing
9	4	TBD	Sidelite Stop
10	2	TBD	High Performance Sill
11	1	TBD	Cellular PVC Astragal
12	1	TBD	1 1/4" Mull Casing

	Drawn by: Leonardo Torres Checked by: Approved by:	Date: 4/17/2023 Date: Date:

7021 Quad Door

Available standard sizes.

<u>Threshold Option</u>	<u>Frame Height (FH)</u>		<u>Slab Height (SH)</u>
	Nominal	Actual	
Inswing	6' 8"	82.25 in	79 in
	8' 0"	98.25 in	95 in
Outswing	6' 8"	81.5 in	79 in
	8' 0"	97.5 in	95 in
ADA (Wheelchair)	6' 8"	81.125 in	79 in
	8' 0"	97.125 in	95 in

\*Custom height slabs available. Certain restrictions apply. Please contact preferred dealer for more detailed information.

<u>Frame Width (FW)</u>	<u>Slab Width (SW)</u>	
	Nominal	Actual
125.125 in	2' 6"	29.75 in
133.125 in	2' 8"	31.75 in
141.125 in	2' 10"	33.75 in
149.125 in	3' 0"	35.75 in
173.125 in	**3' 6"	41.75 in

\*Custom width slabs available. Certain restrictions apply. Please contact preferred dealer for more detailed information.

\*\*Certain restrictions apply. Please contact preferred dealer for more detailed information.

4

3

2

1

D

D

C

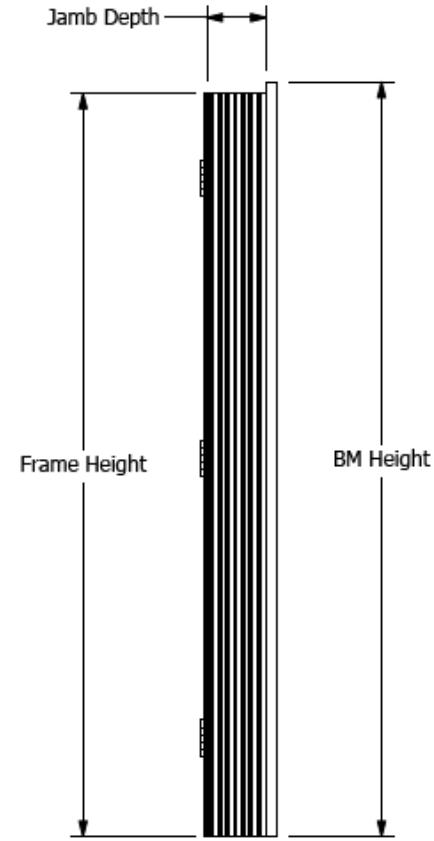
C

B

B

A

A



Dimensions in inches: Specified Tolerances: 0.00 ± 0.062 0.000 ± 0.005 X/X ± 1/16 X° ± 1°		Drawn by: <b>Leonardo Torres</b>	Date: <b>4/17/2023</b>	Title: <b>21.1- Quad Door - Elevation</b>	
		Checked by:	Date:		
		Approved by:	Date:	Sheet Size: <b>A</b>	Scale: <b>0.0469 : 1</b>
				<b>Page 1 of 1</b>	

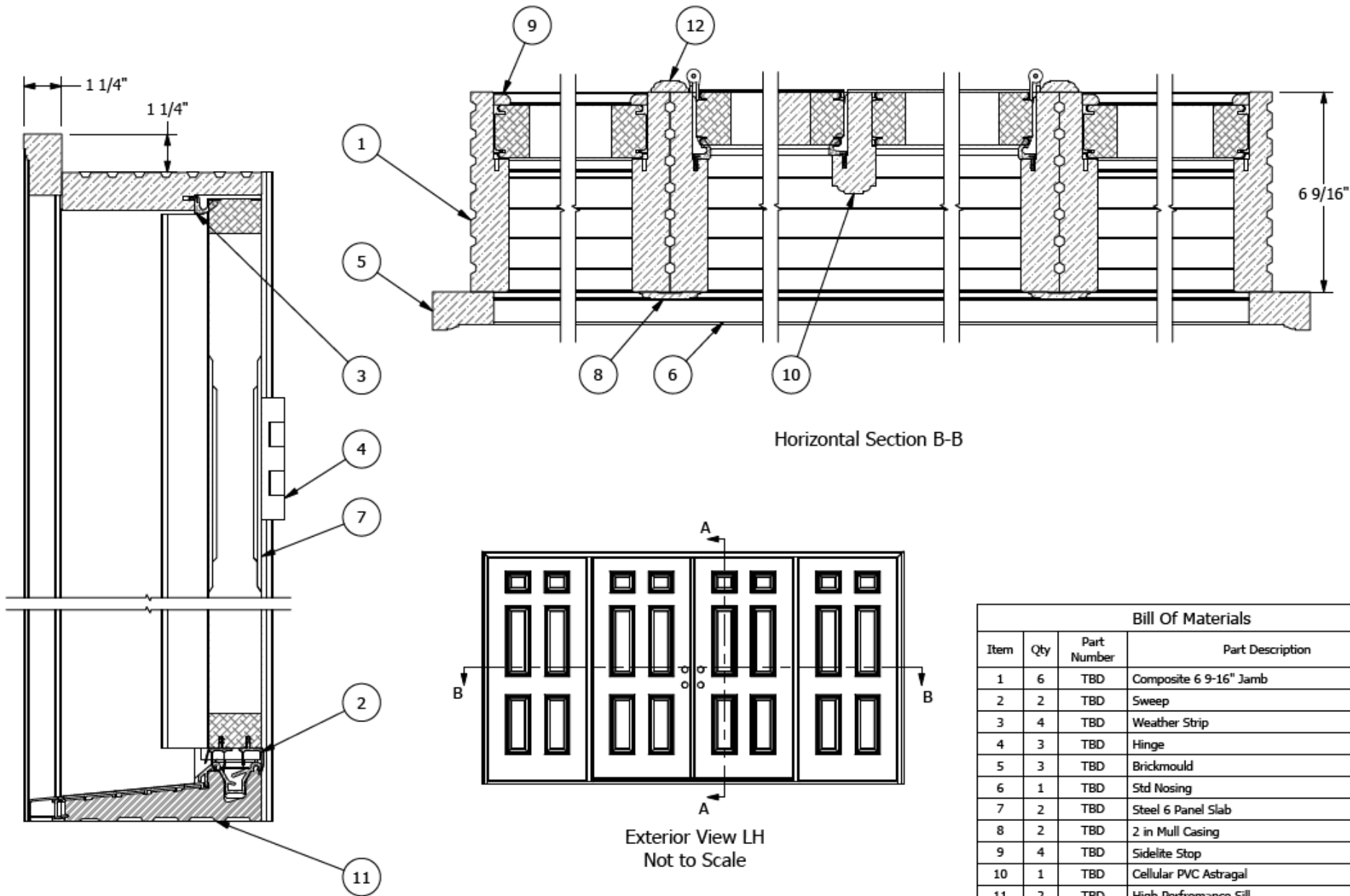
**CONFIDENTIAL** The information contained in this document is strictly proprietary to North Star Windows and Doors and TruBilt Door Systems and may not be used in any way or for any purpose outside of the company without the express written consent of CornerStone Building Brands. Unauthorized use, reproduction, disclosure or retention of any information contained herein is prohibited. All patent, copyright, proprietary and manufacturing rights are reserved.

4

3

2

1



Horizontal Section B-B

Exterior View LH  
Not to Scale

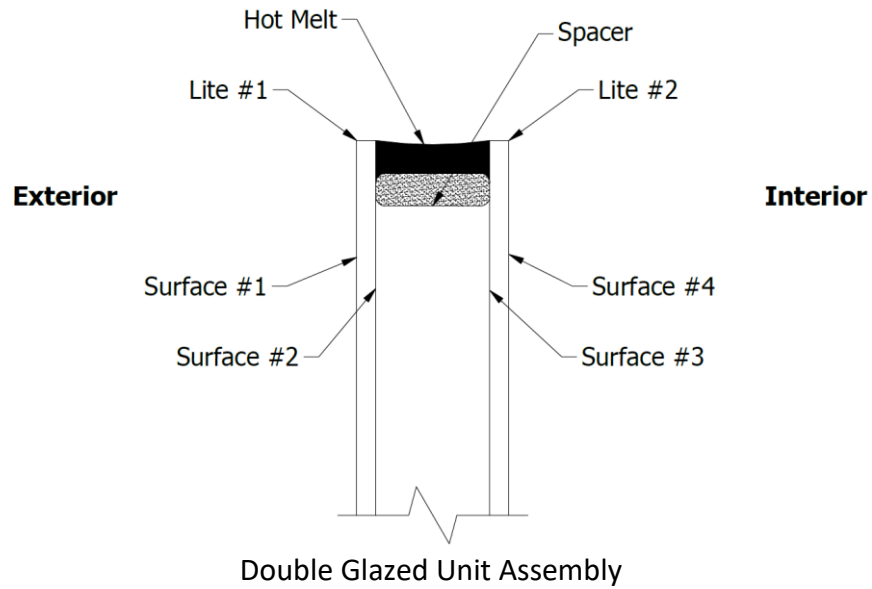
Vertical Section A-A

Bill Of Materials			
Item	Qty	Part Number	Part Description
1	6	TBD	Composite 6 9-16" Jamb
2	2	TBD	Sweep
3	4	TBD	Weather Strip
4	3	TBD	Hinge
5	3	TBD	Brickmould
6	1	TBD	Std Nosing
7	2	TBD	Steel 6 Panel Slab
8	2	TBD	2 in Mull Casing
9	4	TBD	Sidelite Stop
10	1	TBD	Cellular PVC Astragal
11	2	TBD	High Performance Sill
12	2	TBD	1 1/4" Mull Casing



Dimensions in inches. Specified Tolerances: 0.00 ± 0.062 0.000 ± 0.005 X/X ± 1/16 X° ± 1°	Drawn by: Leonardo Torres	Date: 4/17/2023	Title: 21- Quad Door
	Checked by:	Date:	
	Approved by:	Date:	Sheet Size: A Scale: 0.21875 : 1

## 7. Glazing options



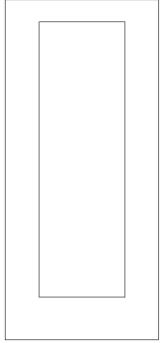
- Clear Glass Low-E
- Decorative Glass
- Wrought Iron Glass
- Textured Glass
- Mini Blinds

\*Sidelite Glass size limited to 20 square feet. Please contact preferred dealer for more detailed information.

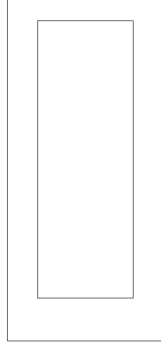


Doorlite Options

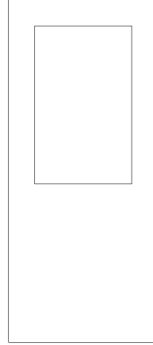
Following drawings are shown as reference only. For details on availability and sizes please contact preferred dealer.



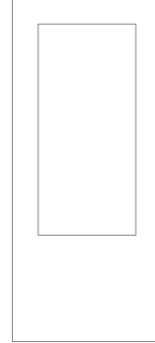
20" x 64"



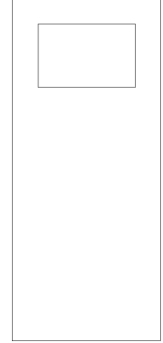
22" x 64"



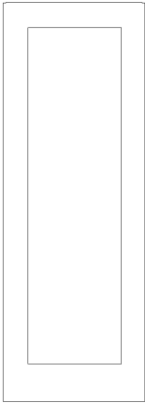
22" x 36"



22" x 48"



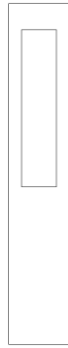
22" x 12"  
22" x 14 1/2"  
22" x 17"



22" x 80"



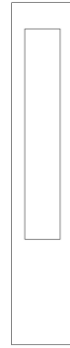
8" x 14 1/2"



8" x 36"



7" x 64"  
8" x 64"



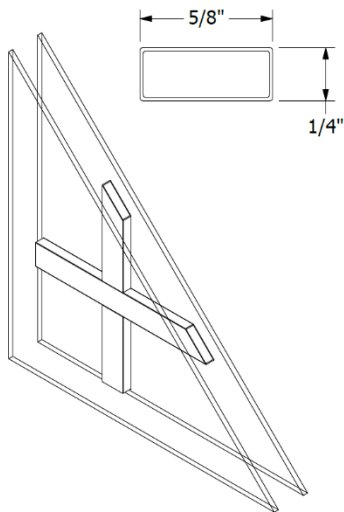
8" x 48"



8" x 80"  
9" x 80"

Grills Between the Glass

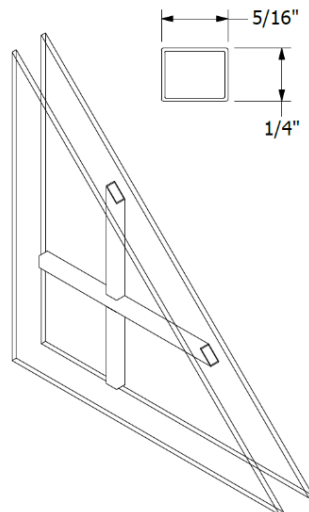
**5/8" Flat Grill**



Finish:

- White
- Pewter
- Two Tone Painted

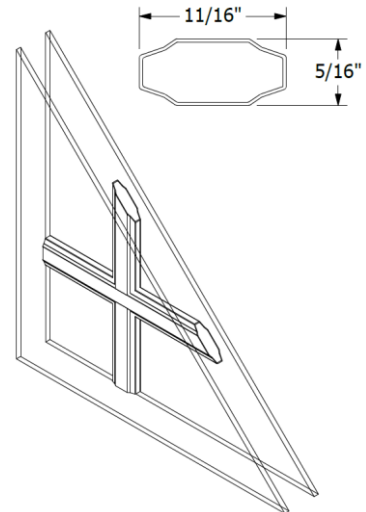
**5/16" Square Grille**



Finish:

- White
- Pewter
- Brass

**5/16" Square Grille**

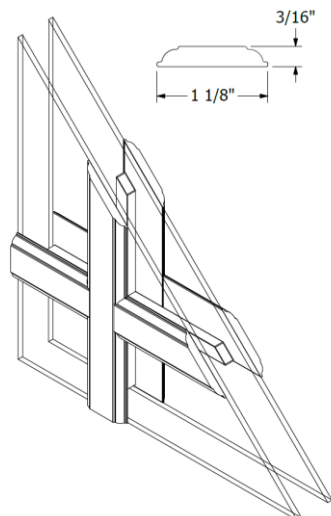


Finish:

- White

Simulated Divided Lites (SDL)

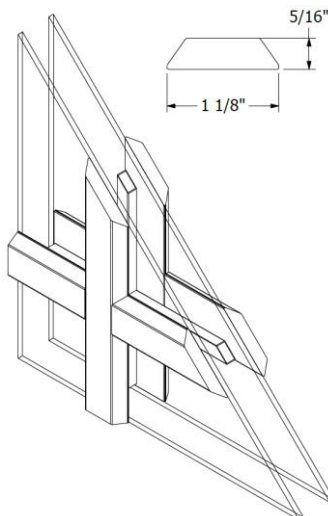
**1 1/8" Colonial Bar**



Finish:

- Smooth
- Textured

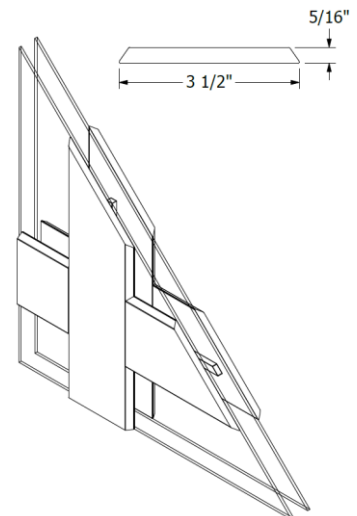
**1 1/8" Flat Bar**



Finish:

- Smooth
- Textured

**3 1/2" Flat Bar**



Finish:

- Smooth
- Textured

\*Glazed SDL unit can be ordered with or without internal grills

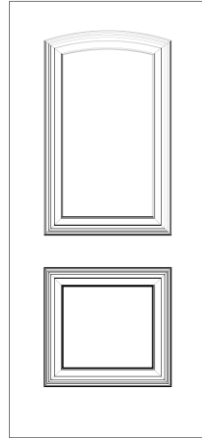
## 8. Slab Design Options

Following drawings are shown as reference only. For details on availability and sizes please contact preferred dealer.

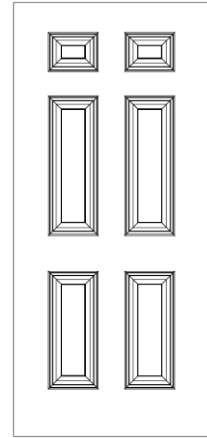
- **Flush Panel**



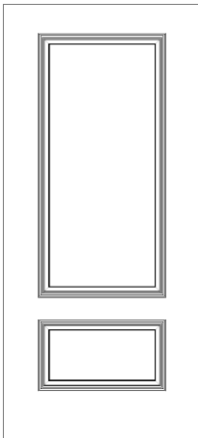
- **Two Panel Camber**



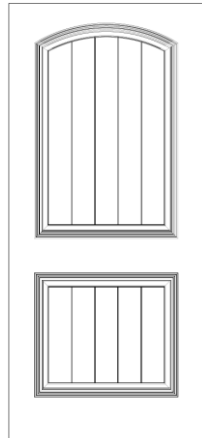
- **6 Panel**



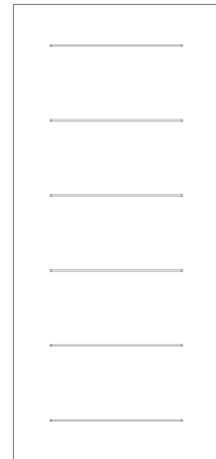
- **Two Panel 3/4 Top**



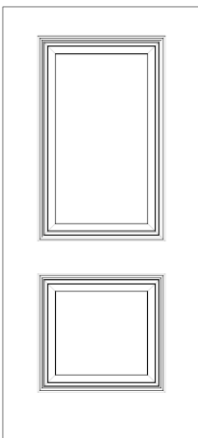
- **Two Panel Camber Plank**



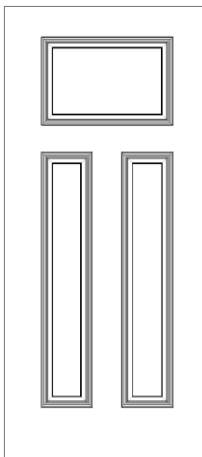
- **Euroline 6**



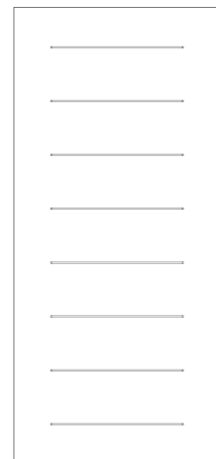
- **Two Panel Square**



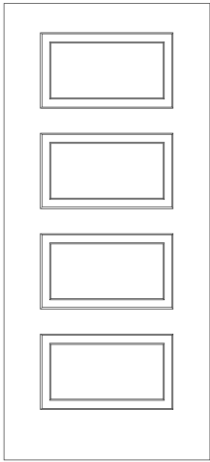
- **Three Panel Craftsman**



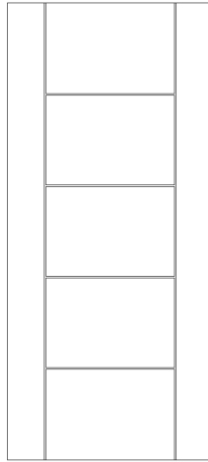
- **Euroline 8**



- **Four Panel Urban**



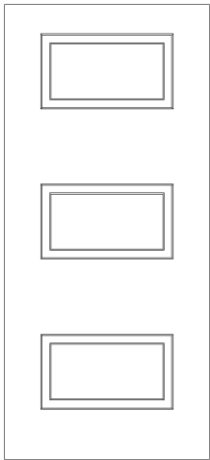
- **HC Contemporary 24**



- **Two panel Reversible Sidelite**



- **Three Panel Urban**



- **Craftsman Sidelite Direct Glazed (8" x 16 1/4")**



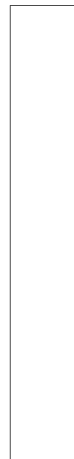
- **One Panel Sidelite (9" x 49" cut out)**



- **HC Contemporary 14**



- **Flush Sidelite**



- **One Panel Sidelite (9" x 37" cut out)**

